

ISL8011 is an integrated FET, 1.2A synchronous buck regulator for general purpose point-of load applications. It is optimized for generating low output voltages down to 0.8V. The supply voltage range of 2.7V to 5.5V allows the use of common 3.3V or 5V supply rails and Lithium ion battery inputs. It has a guaranteed minimum output current of 1.2A and a 1.5MHz pulse-width modulation (PWM) switching frequency which allows the use of small external components.

The ISL8011 includes a pair of low ON-resistance P-Channel and N-Channel internal MOSFETs to maximize efficiency and minimize external component count. 100% duty-cycle operation allows less than 200mV dropout voltage at 1.2A.

The ISL8011 offers a 200ms Power-On-Reset (POR) timer at power-up. When shut down, the ISL8011 discharges the output capacitor. Other features include internal digital soft-start, enable for power sequence, overcurrent protection, and thermal shut-down.

The ISL8011 is offered in a 10 Ld 3x3mm DFN package with 1mm maximum height. The complete converter occupies less than 1cm² area.

Ordering Information

PART NUMBER (Note)	PART MARKING	TEMP. RANGE (°C)	PACKAGE (Pb-Free)	PKG. DWG. #
ISL8011IRZ	011Z	-40 to +85	10 Ld 3x3 DFN	L10.3x3C
ISL8011IRZ-T	011Z	-40 to +85	10 Ld 3x3 DFN Tape and Reel	L10.3x3C
ISL8011EVAL1Z	Evaluation Board			

NOTE: Intersil Pb-free plus anneal products employ special Pb-free material sets; molding compounds/die attach materials and 100% matte tin plate termination finish, which are RoHS compliant and compatible with both SnPb and Pb-free soldering operations. Intersil Pb-free products are MSL classified at Pb-free peak reflow temperatures that meet or exceed the Pb-free requirements of IPC/JEDEC J STD-020.

Features

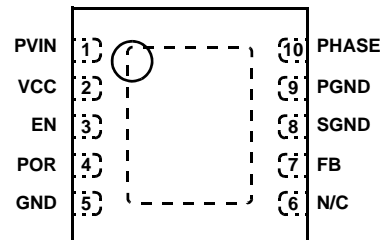
- High Efficiency Synchronous Buck Regulator with up to 95% Efficiency
- 2.7V to 5.5V Supply Voltage
- 1.2A Guaranteed Output Current
- 100% Maximum Duty Cycle
- Peak Current Limiting, Short Circuit Protection
- 200ms Power-On Reset
- 3% Output Accuracy Over Temperature/Load/Line
- Less than 1µA Logic Controlled Shut-down Current
- Internal Loop Compensation
- Internal Digital Soft-Start
- Over-Temperature Protection
- Enable
- Small 10 Ld 3x3mm DFN Package
- Pb-Free Plus Anneal Available (RoHS Compliant)

Applications

- DC/DC POL Modules
- µC/µP, FPGA and DSP Power
- Plug-in DC/DC Modules for Routers and Switchers
- Portable Instruments
- Test and Measurement Systems

Pinout

ISL8011
(10 LD 3x3 DFN)
TOP VIEW



What's inside

The Evaluation Board Kit contains the following materials:

- The ISL8011EVAL1Z Rev A board
- The ISL8011 datasheet
- This EVAL KIT document

Recommended Equipment

The following materials are recommended to perform testing:

- 0V to 10V power supply with at least 5A source current capability, battery, notebook AC adapter
- Two Electronic Loads capable of sinking current up to 5A
- Digital Multimeters (DMMs)
- 100MHz quad-trace Oscilloscope
- Signal generator

Quick Setup Guide

1. Ensure that the circuit is correctly connected to the supply and loads prior to applying any power.
2. Connect the bias supply to VIN. Plus terminal to (VIN) and negative return to (GND).
3. Verify that position is ON for JP1 jumper.
4. Turn on the power supply. $V_{IN} = 2.7V$ to $5.5V$.
5. Verify the output voltage is $1.6V$ for V_{OUT}

Evaluating the Other Output Voltage

The ISL8011EVAL1Z kit output is preset to $1.6V$; however, output voltages can be adjusted from $0.8V$ to $3.6V$ by the following equations:

$$V_{OUT} = 0.8 \left(1 + \frac{R_2}{R_1} \right) \quad (EQ. 1)$$

Let's set $R_2 = 100k\Omega$

$$R_1 = \frac{R_2}{\left(\frac{V_{OUT}}{0.8} \right) - 1} \quad (EQ. 2)$$

where the $0.8V$ is the reference voltage. To minimize the accuracy impact on the output voltage, select the R_1 and R_2 no larger than $100k\Omega$.

TABLE 1. SWITCH 1 SETTINGS

J1	ENABLE	
1	Center post to top	Enable V_{OUT}
2	Center post to bottom	Disable V_{OUT}

Schematic

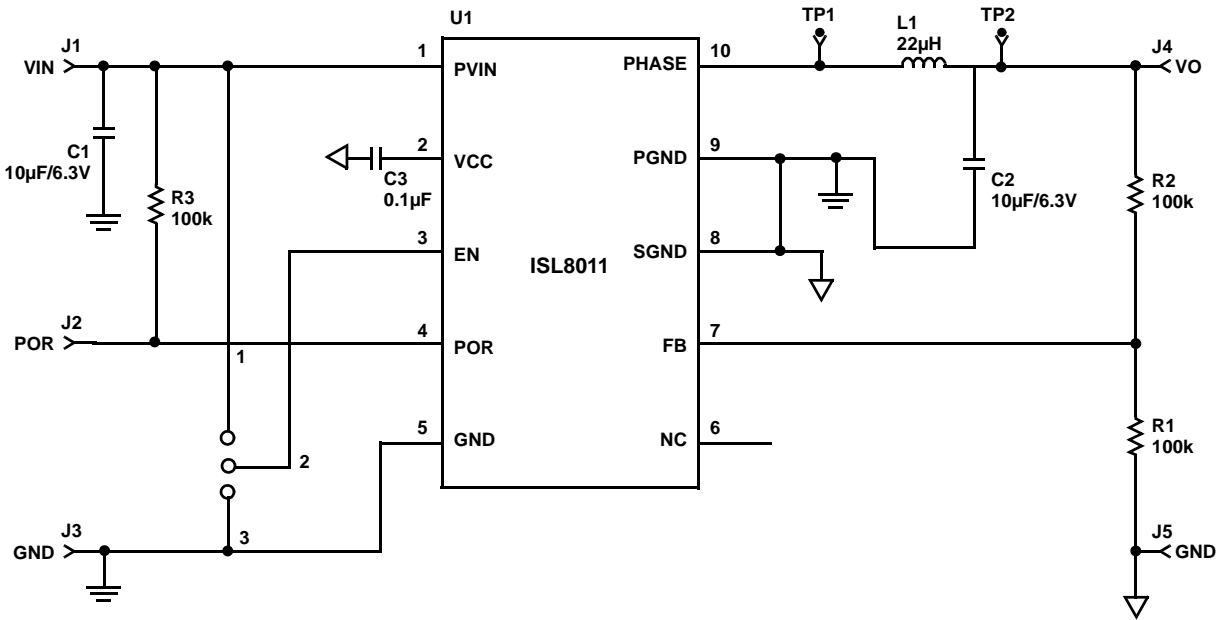


TABLE 2. COMPONENT LIST

REF DES	QTY	VALUE	TOL.	VOLTAGE	PACKAGE	PART NUMBER	MANUFACTURER	DESCRIPTION
C3	1	0.1µF			603	EMK107BJ104MA	Taiyo Yuden	Capacitor
L1	1	2.2µH			4028	CDRH2D14-2R2	Sumida	Inductor
C1	1	10µF	20%	6.3V	805	C1608X5R0J106M	Panasonic	CAP, SMD, 0603, 10µF, 6.3V, 20%, X5R, ROHS
C2	1	10µF	20%	6.3V	805	C1608X5R0J106M	Panasonic	CAP, SMD, 0603, 10µF, 6.3V, 20%, X5R, ROHS
R2	1	100k	1%	100V	603	various		RES, SMD, 0603, 100k, 1/10W, 1%, TF, ROHS
R3	1	100k	1%	100V	603	various		RES, SMD, 0603, 100k, 1/10W, 1%, TF, ROHS
R1	1	100k	1%	100V	603	various		RES, SMD, 0603, 100k, 1/10W, 1%, TF, ROHS
U1	1	ISL8011			DFN-10	ISL8011	Intersil	

ISL8011EVAL1Z Board Layout

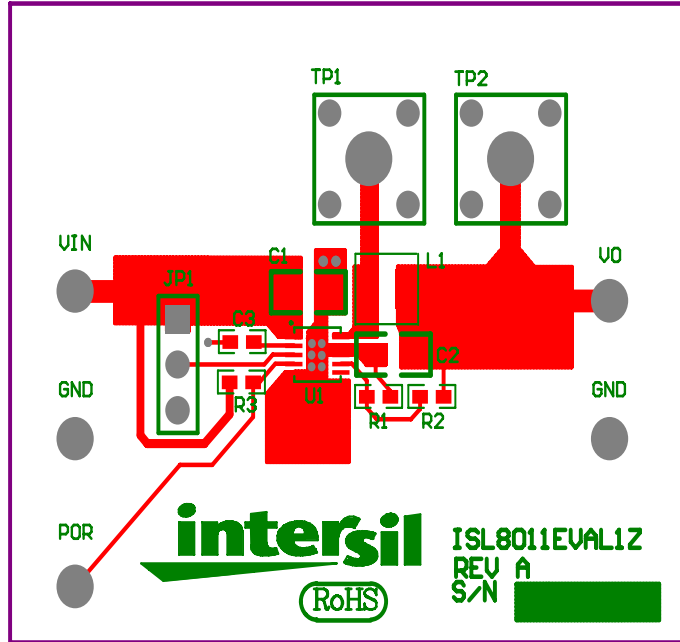


FIGURE 1. TOP COMPONENTS

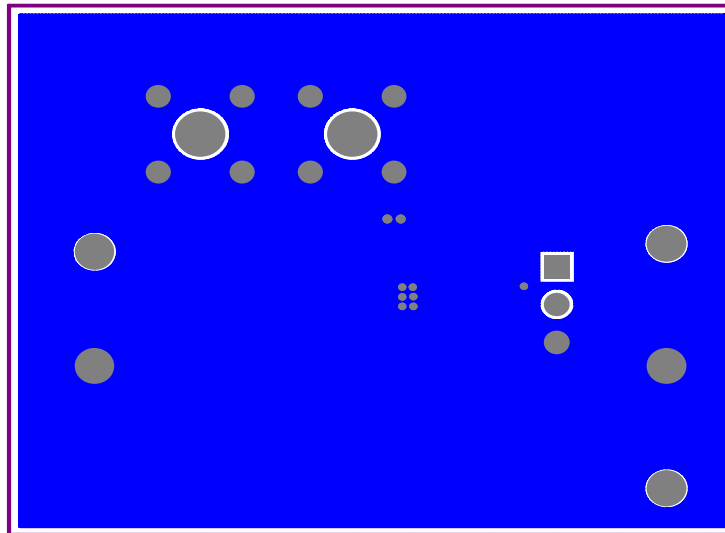


FIGURE 2. BOTTOM LAYER

Intersil Corporation reserves the right to make changes in circuit design, software and/or specifications at any time without notice. Accordingly, the reader is cautioned to verify that the Application Note or Technical Brief is current before proceeding.

For information regarding Intersil Corporation and its products, see www.intersil.com