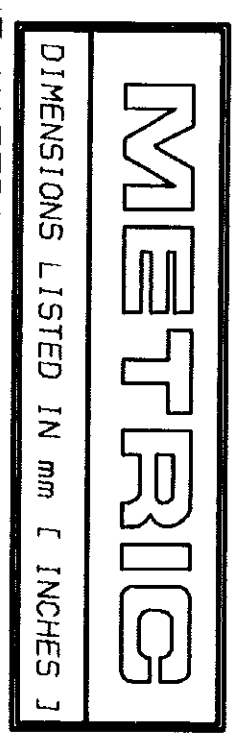
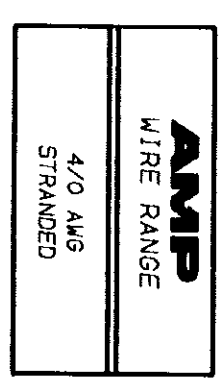


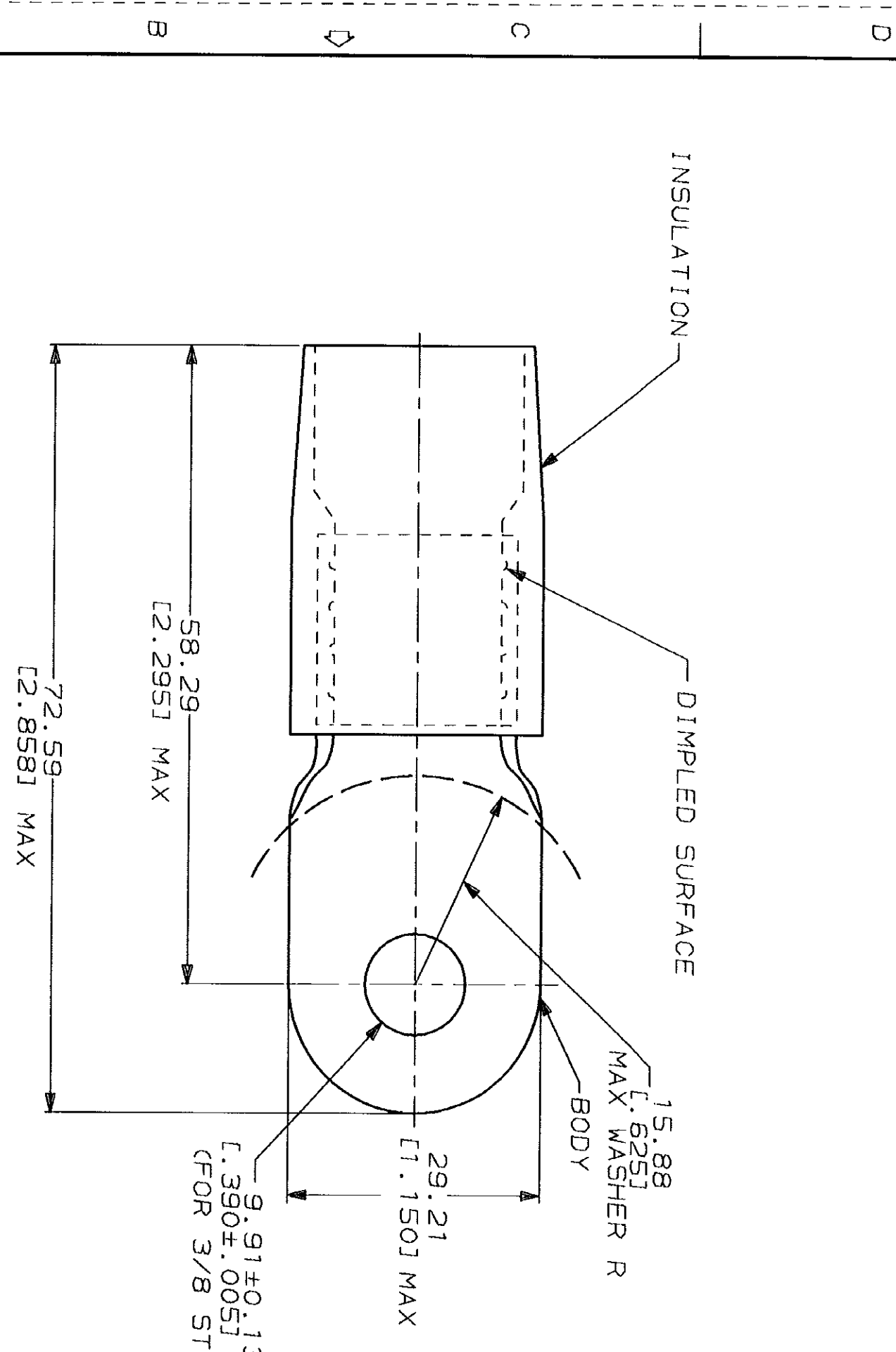
THIS DRAWING IS UNPUBLISHED. RELEASED FOR PUBLICATION
 © COPYRIGHT 19 BY AMP INCORPORATED. ALL INTERNATIONAL RIGHTS RESERVED.

Loc	DIST	P	F	ZONE	LTR	DESCRIPTION	DATE	APPD
G	14				K	EC 0720-0279-93	6-21-93	SS BB

REVISIONS	DESCRIPTION	DATE	APPD



1. TONGUE MATERIAL THK 2.59±0.08 [1.02±.003]
 FOR 19.43 [1.765] MAX WIRE INS DIA



**AMP INCORPORATED
 CUSTOMER SERVICE SYSTEMS**

FOR ADDITIONAL PRODUCT INFORMATION OR COPIES OF DRAWINGS AND TECHNICAL DOCUMENTS	PRODUCT INFORMATION CENTER 1-800-522-6752	MAX RECOMMENDED OPERATING TEMPERATURE: 105°C
FOR APPLICATION	TOOLING ASSISTANCE CENTER 1-800-722-1111	VOLTAGE RATING: -
FOR ORDER ENTRY	1-800-526-5142	CIRCULAR MIL AREA: 96.3-117mm² [190,000-231,100] STRANDED

MILITARY P/N AND CLASS	MS25036-140 CLASS 2
DO NOT SCALE PRINT. UNLESS SPECIFIED OTHERWISE	
TOLERANCES ON: 1 PLG DEC # 0.20 (0.008) 2 PLG DEC # - 3 PLG DEC # - ANGLES # -	
MATERIAL	COPPER PER ASTM B-152 NYLON (MIL-M-20693) TYPE 1 COLOR: BLUE
FINISH	TIN PLATE PER MIL-T-10727

DR 6-21-93	S.S. GOULDEN	QTY	
CHK 6-21-93	R. HERSEY		
APPD 6-21-93	B. BARE		
APPD 6-21-93	M. ELLIS		
PRODUCT SPEC			
APPLICATION SPEC			
WEIGHT			

LOOSE PC	324187
PACKAGE TYPE	PART NO
AMP	AMP Incorporated Harrisburg, PA 17105-3608

TERMINAL, RING TONGUE, TERMINYL
 WIRE SIZE: 4/0 AWG

SIZE	CAGE CODE	DRAWING NO
B	00779	G=324187
SCALE	NTS	SHEET
		1 OF 1