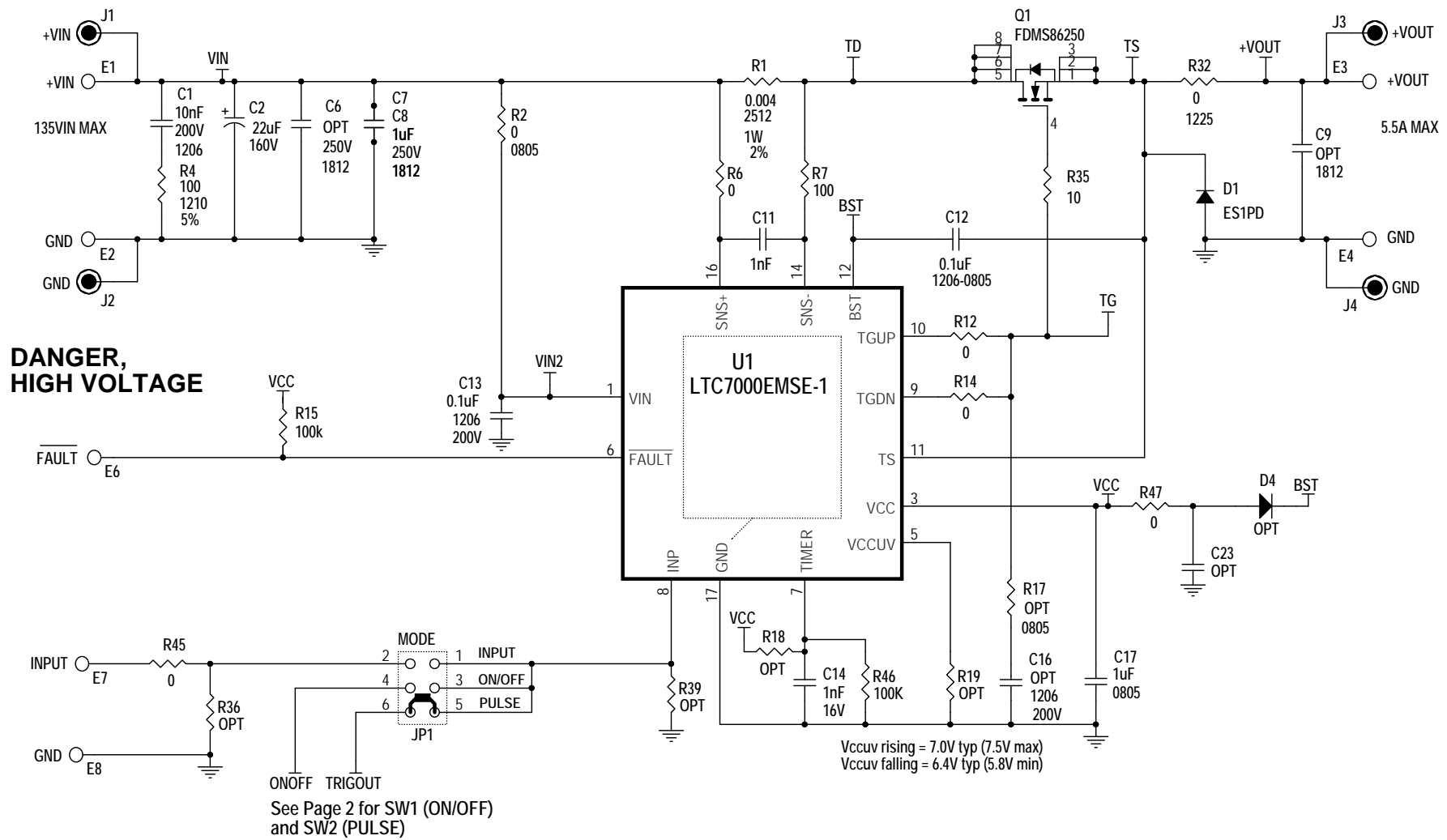


REVISION HISTORY				
ECO	REV	DESCRIPTION	APPROVED	DATE
—	2	PRODUCTION	KURK M.	08-15-17



Note: OPT = (OPT) = Optional = Not Used

Note: Unless otherwise specified:  
 All resistors are in ohms, 1%, 0603.  
 All capacitors are in microfarads 0603.  
 All capacitors are 25V.  
 1/16W = 0402, 1/10W = 0603, 1/8W = 0805,  
 1/4W = 1206, 1/2W = 1210, 1W = 2512.

1uF 250V TDK C4532X7T2E105K250KA (1812, X7T, -50% at 125V).  
 22uF 160V Sun Elect Ind 160ME22HPC (10X12.5, 153mA at 120Hz).  
 5.1V Zener On Semi MMSZ5V1T1.  
 0 Ohm 1225 TEPRO RN5326  
 0.004ohms 1W Panasonic ERJM1WTF4M0U (2512).  
 100ohm 1210 NIC NRCP25J101TRF (0.5W, 400W for 0.1ms).  
 Fairchild FDMS86250 (150V, 25mohmmax and 25nCltp at 10V, 33mohmmax at 6V, Power56).

**CUSTOMER NOTICE**  
 LINEAR TECHNOLOGY HAS MADE A BEST EFFORT TO DESIGN A CIRCUIT THAT MEETS CUSTOMER-SUPPLIED SPECIFICATIONS; HOWEVER, IT REMAINS THE CUSTOMER'S RESPONSIBILITY TO VERIFY PROPER AND RELIABLE OPERATION IN THE ACTUAL APPLICATION. COMPONENT SUBSTITUTION AND PRINTED CIRCUIT BOARD LAYOUT MAY SIGNIFICANTLY AFFECT CIRCUIT PERFORMANCE OR RELIABILITY. CONTACT LINEAR TECHNOLOGY APPLICATIONS ENGINEERING FOR ASSISTANCE.

THIS CIRCUIT IS PROPRIETARY TO LINEAR TECHNOLOGY AND SUPPLIED FOR USE WITH LINEAR TECHNOLOGY PARTS.

APPROVALS	
PCB DES.	LT
APP ENG.	KURK M.
SCALE = NONE	

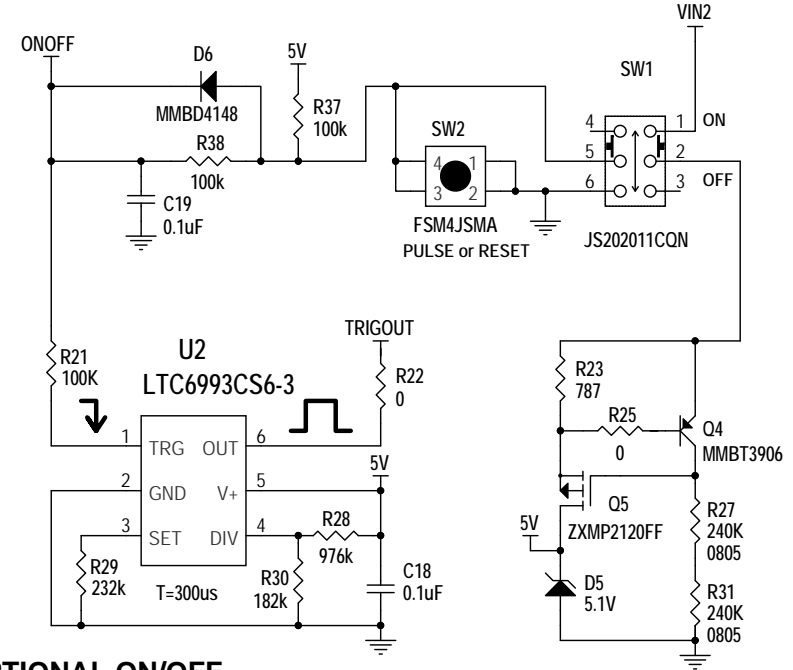
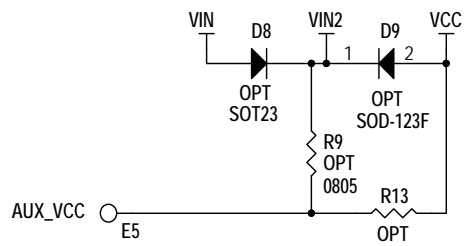
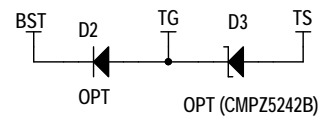
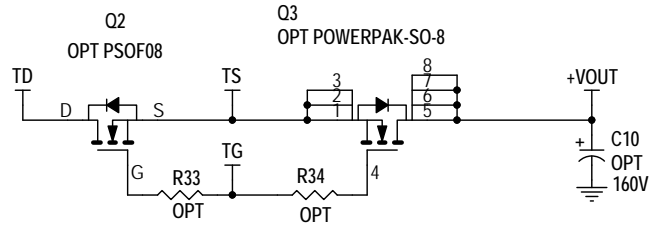
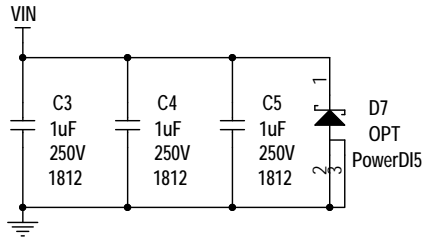
**LINEAR TECHNOLOGY**  
 1630 McCarthy Blvd.  
 Milpitas, CA 95035  
 Phone: (408)432-1900 www.linear.com  
 Fax: (408)434-0507  
 LTC Confidential-For Customer Use Only

TITLE: SCHEMATIC

**FAST HIGH VOLTAGE PROTECTED HIGH-SIDE NMOS STATIC SWITCH DRIVER**

SIZE	IC NO.	REV.
N/A	LTC7000EMSE-1 DC2492A	2

DATE: Tuesday, August 15, 2017 SHEET 1 OF 2



**OPTIONAL ON/OFF and SINGLE SHOT**

<b>CUSTOMER NOTICE</b> LINEAR TECHNOLOGY HAS MADE A BEST EFFORT TO DESIGN A CIRCUIT THAT MEETS CUSTOMER-SUPPLIED SPECIFICATIONS; HOWEVER, IT REMAINS THE CUSTOMER'S RESPONSIBILITY TO VERIFY PROPER AND RELIABLE OPERATION IN THE ACTUAL APPLICATION. COMPONENT SUBSTITUTION AND PRINTED CIRCUIT BOARD LAYOUT MAY SIGNIFICANTLY AFFECT CIRCUIT PERFORMANCE OR RELIABILITY. CONTACT LINEAR TECHNOLOGY APPLICATIONS ENGINEERING FOR ASSISTANCE.		<b>APPROVALS</b>		 1630 McCarthy Blvd. Milpitas, CA 95035 Phone: (408)432-1900 www.linear.com Fax: (408)434-0507 LTC Confidential-For Customer Use Only	
		PCB DES.	LT		
THIS CIRCUIT IS PROPRIETARY TO LINEAR TECHNOLOGY AND SUPPLIED FOR USE WITH LINEAR TECHNOLOGY PARTS.		APP ENG.	KURK M.	<b>FAST HIGH VOLTAGE PROTECTED HIGH-SIDE NMOS STATIC SWITCH DRIVER</b>	
		SIZE	N/A	IC NO.	LTC7000EMSE-1 DC2492A
		SCALE	NONE	DATE:	Tuesday, August 15, 2017
					REV. 2
					SHEET 2 OF 2