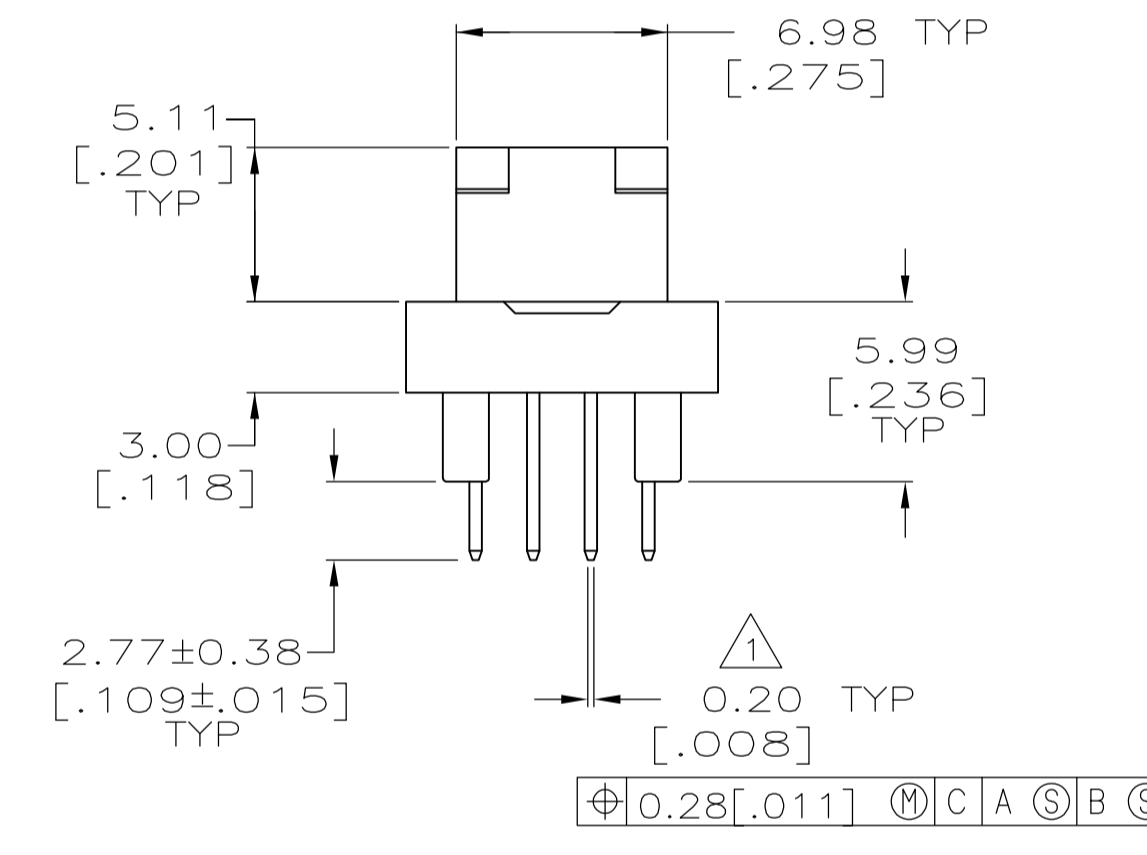
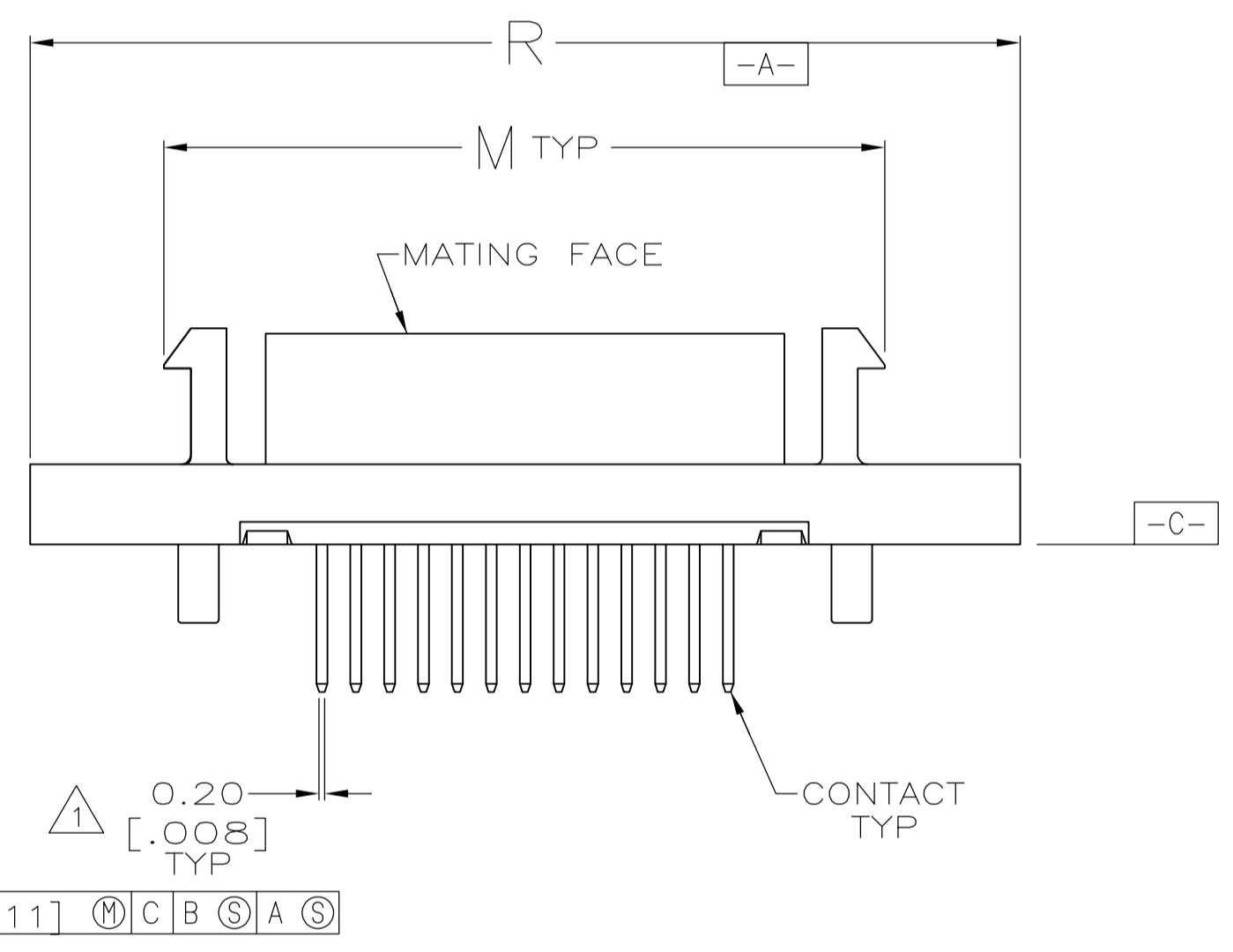
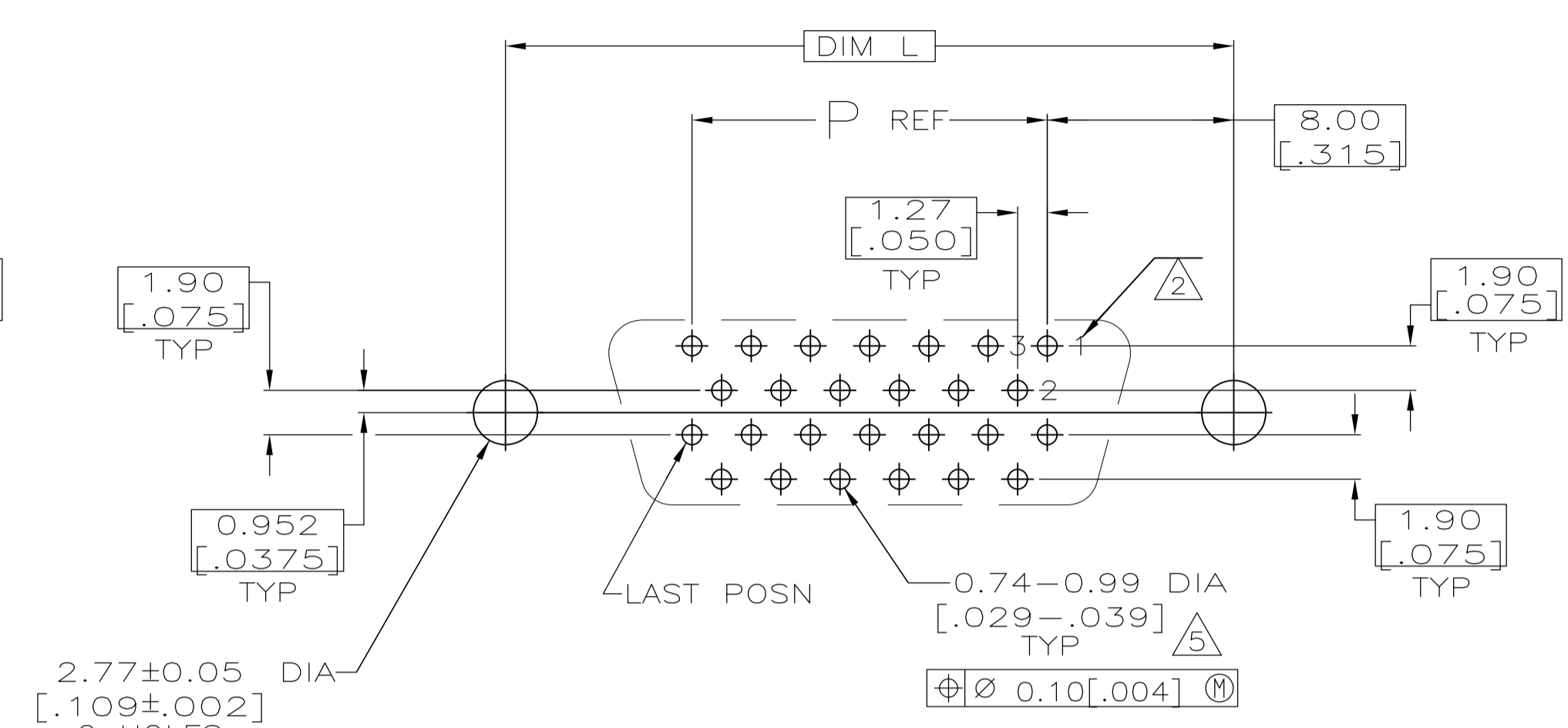
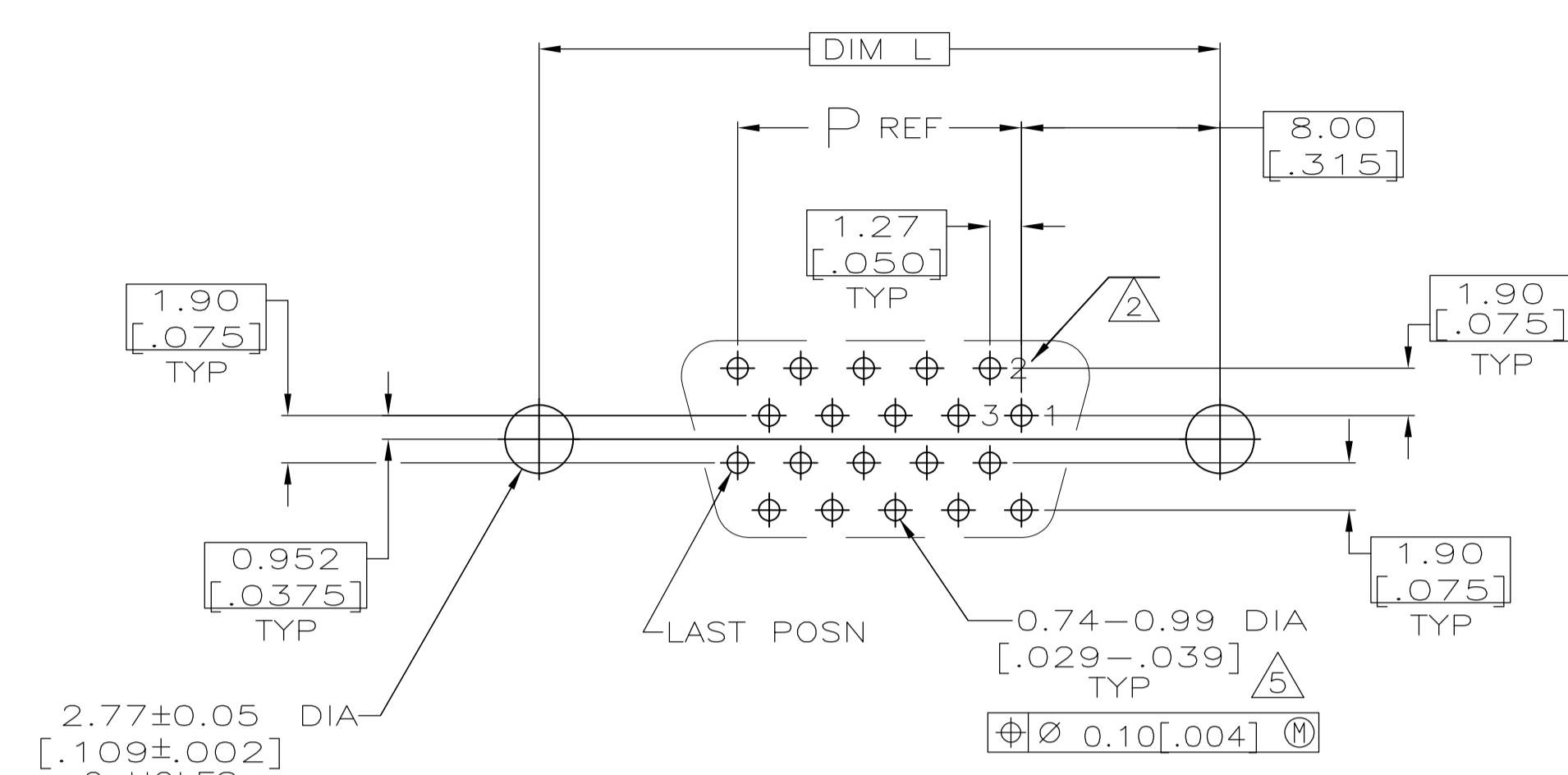
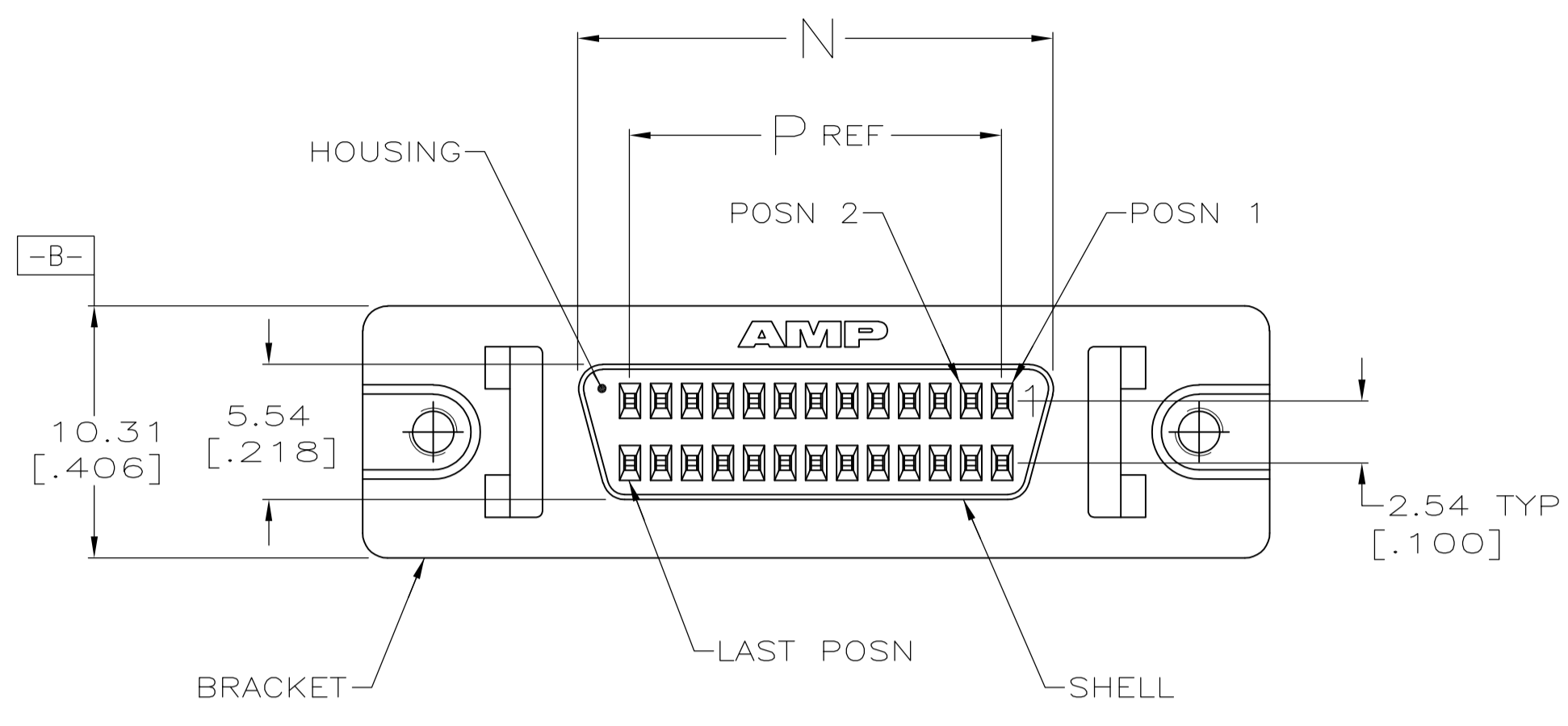
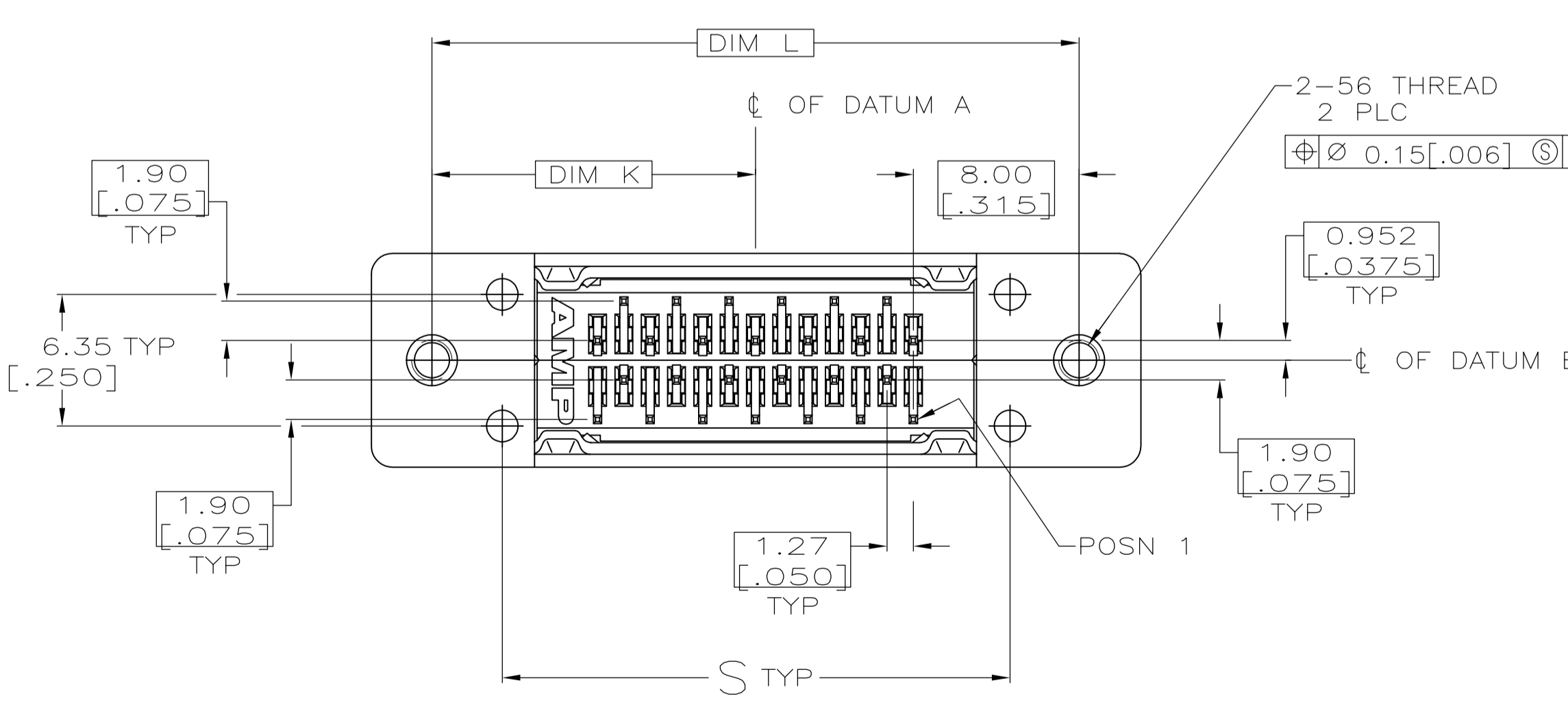


LOC		DIST		REVISIONS			
GP	00	P	LTR	DESCRIPTION	DATE	DWN	APVD
		L		REVISED PER ECO-08-020284	20AUG2008	ZMR	BAS
		L1		REVISED PER ECO-09-023313	13OCT09	KK	AEG



- 1 POSITION TOLERANCE APPLIES AT CONTACT TIP.
- 2 POSITION NUMBERS SHOWN FOR REFERENCE ONLY.
- 3 MATERIAL
HOUSING: POLYESTER, UL 94V-0 RATED, BLACK.
SHELL: CARBON STEEL
CONTACTS: PHOSPHOR BRONZE
BRACKET: ZINC
- 4 FINISH
SHELL: 5.08µm [.000200] MIN NICKEL OVER 1.27µm [.000050] MIN COPPER.
BRACKET: 3.81µm [.000150] MIN NICKEL OVER 5.08µm [.000200] MIN COPPER.
CONTACTS: EITHER 0.76µm [.000030] MIN GOLD FOR A LENGTH OF 0.64 [.025] MIN, 0.13 [.005] MAX FROM MATING END, OR GOLD FLASH OVER PALLADIUM NICKEL, 0.76µm [.000030] MIN TOTAL FOR A LENGTH OF 0.64 [.025] MIN, 0.13 [.005] MAX FROM MATING END. 3.81µm [.000150] MIN TIN-LEAD ON SOLDER POST, ALL OVER 1.27µm [.000050] MIN NICKEL UNDERPLATE.
- 5 ACTUAL HOLE SIZE WILL DEPEND ON TRACE ROUTING REQUIREMENTS BETWEEN HOLES AND CONNECTOR PLACEMENT TECHNIQUE.
- 6 OBSOLETE PARTS: OBSOLETE CIS STREAMLINING PER D.RENAUD/D.SINISI



NO OF POSN	PART NUMBER	1	2	3	4	5	6	7	8	9	10	11	12	13	14	15	16	17	18	19	20	
120	1-750458-0	84.20 [3.315]	96.90 [3.815]	74.93 [2.950]	79.15 [3.116]	86.74 [3.415]	90.93 [3.580]	45.47 [1.790]														
100	750458-9	71.50 [2.815]	84.20 [3.315]	62.23 [2.450]	66.45 [2.616]	74.04 [2.915]	78.23 [3.080]	39.12 [1.540]														
80	750458-8	58.80 [2.315]	71.50 [2.815]	49.53 [1.950]	53.75 [2.116]	61.34 [2.415]	65.53 [2.580]	32.77 [1.290]														
68	750458-7	51.18 [2.015]	63.88 [2.515]	41.91 [1.650]	46.13 [1.816]	53.72 [2.115]	57.91 [2.280]	28.96 [1.140]														
60	750458-6	46.10 [1.815]	58.80 [2.315]	36.83 [1.450]	41.05 [1.616]	48.64 [1.915]	52.83 [2.080]	26.42 [1.040]														
50	750458-5	39.75 [1.565]	52.45 [2.065]	30.48 [1.200]	34.70 [1.366]	42.29 [1.665]	46.48 [1.830]	23.24 [0.915]														
40	750458-4	33.40 [1.315]	46.10 [1.815]	24.13 [0.950]	28.35 [1.116]	35.94 [1.415]	40.13 [1.580]	20.07 [0.790]														
28	750458-3	25.78 [1.015]	38.48 [1.515]	16.51 [0.650]	20.73 [0.816]	28.32 [1.115]	32.51 [1.280]	16.26 [0.640]														
26	750458-2	24.51 [0.965]	37.21 [1.465]	15.24 [0.600]	19.46 [0.766]	27.05 [1.065]	31.24 [1.230]	15.62 [0.615]														
20	750458-1	20.70 [0.815]	33.40 [1.315]	11.43 [0.450]	15.65 [0.616]	23.24 [0.915]	27.43 [1.080]	13.72 [0.540]														
	RECOMMENDED PCB MTG DIMENSIONS	S	R	P	N	M	L	K														

THIS DRAWING IS A CONTROLLED DOCUMENT.

APPROVED: S. WELDON (9-10-90), J. McCLINTON (9-26-90), G. ROHDE (9-26-90)

DESIGNED: S. WELDON

DATE: 9-10-90

SCALE: 4:1

SHEET 1 OF 1

REV 1

RESTRICTED TO

RECEPTACLE ASSEMBLY, WITH STAND-OFFS, SHIELDED, VERTICAL, AMPLIMITE™ .050 Series

108-1228

114-40029

00779

750458