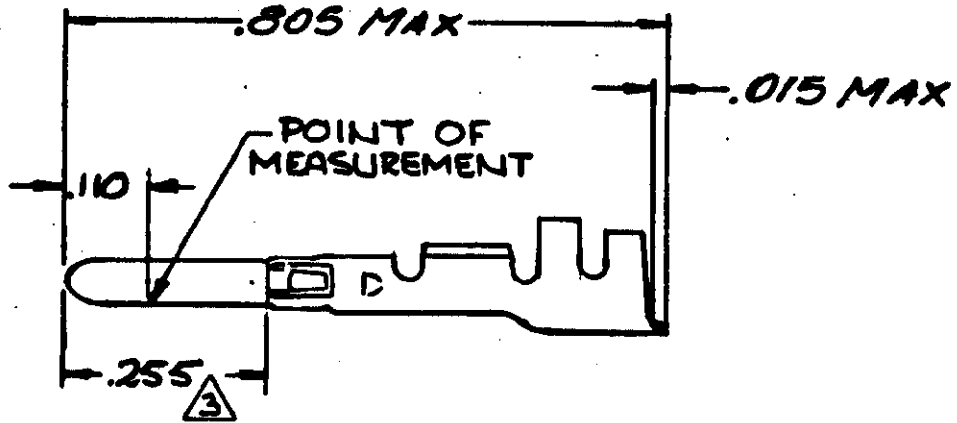


350036



1. FOR ADDITIONAL INFORMATION SEE DWG 350018.
 2. THIS TERMINAL TO BE SUPPLIED IN INDIVIDUAL FORM, NOT AS CONTINUOUS STRIP.
- △ PLATED WITH .000030 GOLD, OVER .000050 NICKEL UNDERPLATE.

PART NO.	MATERIAL & FINISH
350036-1	.008 BRASS - PRE-TIN
350036-2	.008 BRASS - GOLD △

DIMENSIONS IN INCHES. DO NOT SCALE PRINT.

Unpublished copy not to be reproduced or published without written permission of AMP Incorporated

E1	RESTORED		BO/RS	10/1/83	©1977 BY AMP INCORPORATED. ALL RIGHTS RESERVED. AMP PRODUCTS COVERED BY PATENTS AND/OR PATENTS PENDING	CUSTOMER COPY REFERENCE ONLY
E	REVISED PER M-7349	TW	JH	5/1/83	MATERIAL AND FINISH	AMP AMP INCORPORATED HARRISBURG, PENNA
D	ADDED NOTE 3, m-6086	MF	JH	11/13/80	SEE TABLE	
C	REVISED M-4049		MF	1-10-77	WIRE - RANGE - INSULATION	CLASS -#-
B	REVO LATCH	M-1500	MF	2/12/76	*26-#18 .050-.115	TYPE -#-
A	REVISED DESIGN	M-2661	MF	1/1/75	TOLERANCE EXCEPT AS NOTED ± .015 ± 1'0'	LOC. CM A NO 350036
LTR	REVISION RECORD	ECN	OP	CHK	DATE	REV. E1
DR	JIM KUNKLE	DE				
CHK		APP				
NAME						.058 DIA PIN (LOOSE PIECE)