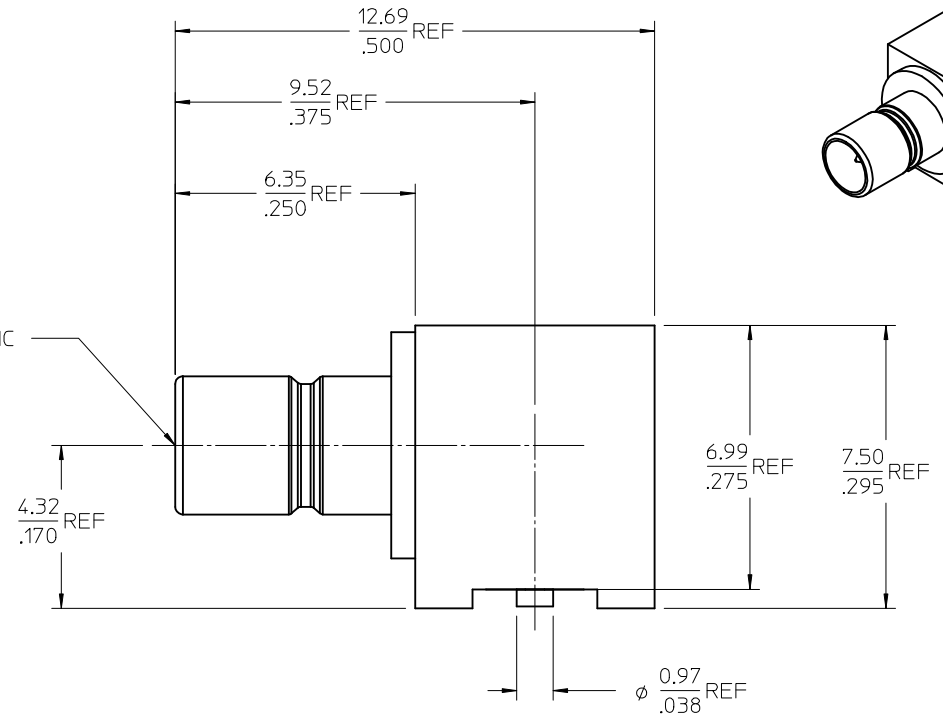
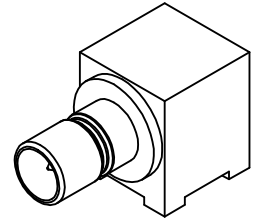


MATERIALS AND FINISHES

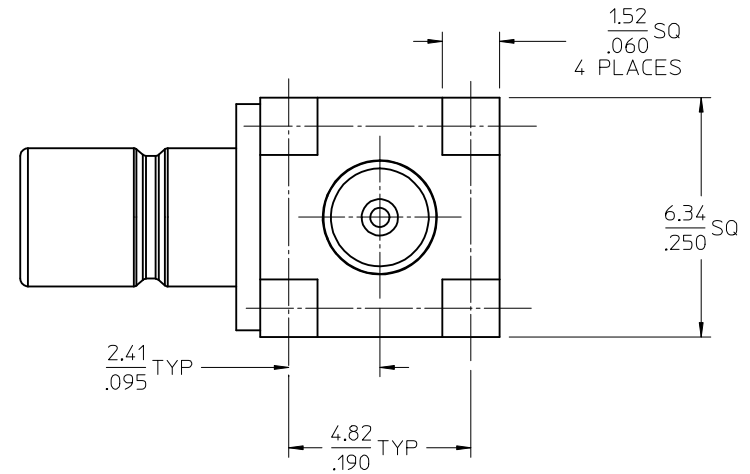
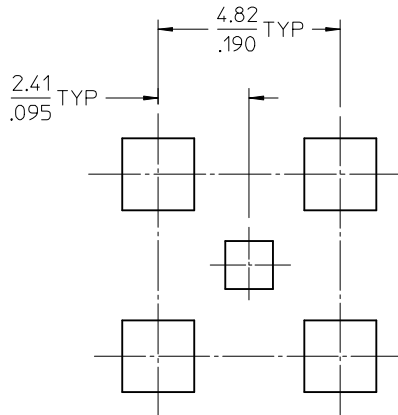
BODY, CONTACT, CAP: BRASS
PLATED GOLD

INSULATOR: TEFLON

SMB 75 OHM
AIR DIELECTRIC
INTERFACE



RECOMMENDED PCB LAYOUT



PART # 73404-0200

CHG: REDREW TO
SHOW REVISED
BODY.

EC NO: URF2006-0141
DRWN:ROBERTSON 2005/10/04
CHKD: 2005/10/04
APPR:JIENER 2005/10/04
REV: A2

QUALITY SYMBOLS	DESCRIPTION
▽=0	
▽=0	

GENERAL TOLERANCES (UNLESS SPECIFIED)	
mm	INCH
4 PLACES ± .005	± .0004
3 PLACES ± .008	± .0003
2 PLACES ± .010	± .0002
1 PLACE ± .015	± .0001
ANGULAR ± 2 °	

DRAFT WHERE APPLICABLE
MUST REMAIN
WITHIN DIMENSIONS

DIMENSION STYLE	
MM/IN	
DRAWN BY	DATE
SSS	2000/01/21
CHECKED BY	DATE
TEF	2000/01/21
APPROVED BY	DATE
GMH	2000/01/21
MATERIAL NO.	DOCUMENT NO.
734040200	SD-73404-020
SIZE	
C	

SCALE	DESIGN UNITS	THIRD ANGLE PROJECTION
	METRIC	☉
TITLE		
SMB, JACK, 75 OHM R/A SMT, AIR DIELECTRIC SMB-J/PCB, EWR-2919		
MOLEX INCORPORATED		
DOCUMENT NO.		SHEET NO.
SD-73404-020		1 OF 1