

MODELS:

# SR45UBSD / SR45UBSDEXP

## SmartRack™ Shallow-Depth Rack Enclosure



45 Rack Units



3000 lb  
Stationary  
Load Capacity



2250 lb  
Rolling  
Load Capacity



Heavy-Duty  
Casters



Locking Doors &  
Side Panels



Standard  
19-inch  
Rack Width



Toolless  
Mounting Slots



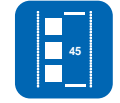
Adjustable  
Rails with  
Easy-View  
Depth Index



Airflow  
Exceeds  
Server OEM  
Requirements



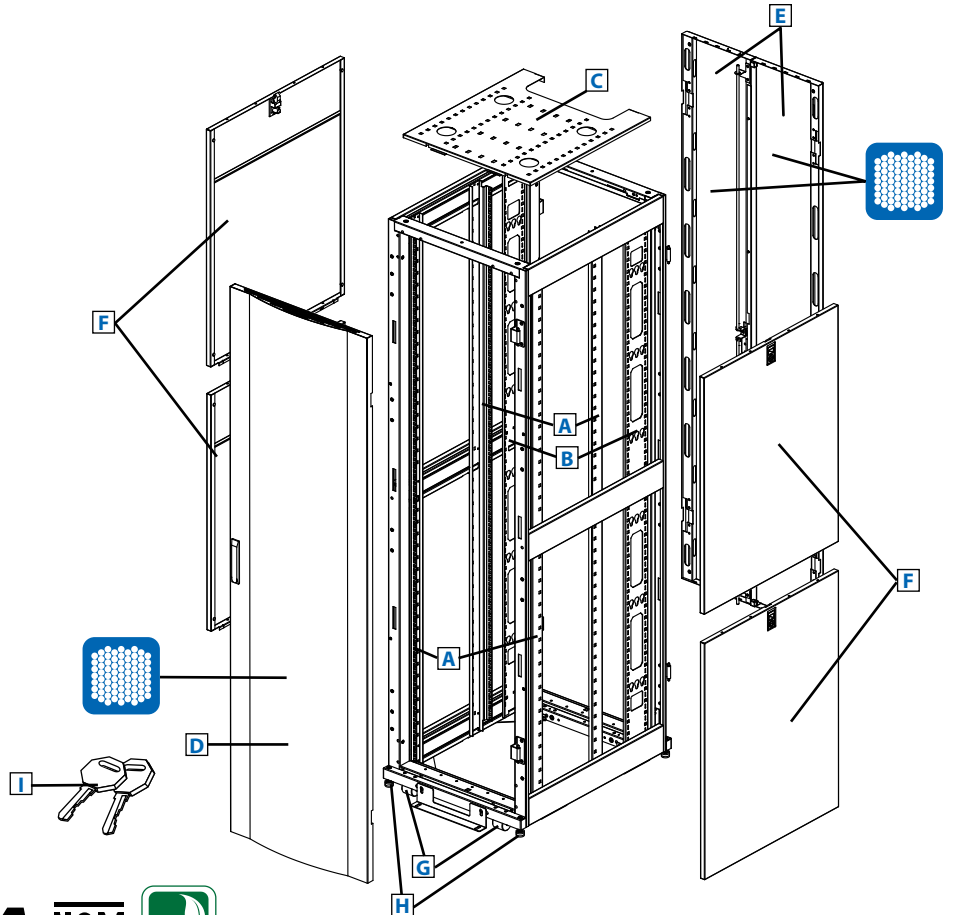
Integrated  
Baying Tabs



Square Hole  
Mounting

- A** Adjustable Mounting Rails (4)
- B** Adjustable PDU Mounting Rails with Toolless Mounting Slots (2 rails hold up to 4 vertical PDUs.)
- C** Roof Panel (Removable)
- D** Front Door (Lockable/Removable/Reversible)
- E** Split Rear Doors (2) (Lockable/Removable)
- F** Side Panels (4) (Lockable/Removable; not included with SR45UBSDEXP.)
- G** Rolling Casters (4)
- H** Levelers (4)
- I** Keys (For doors and side panels.)

Also Includes: Owner's manual, 2 shipping/stabilizing brackets and rackmount equipment mounting hardware (50 cage nuts, 50 mounting screws, 50 nylon cup washers).



### Specifications

<b>Model</b>	SR45UBSD
Rack Spaces	45U
Stationary Load Capacity	3000 lb (1363 kg)
Rolling Load Capacity	2250 lb (1022 kg)
Unit Dimensions (H x W x D)	83.75 x 23.63 x 32.5 in (2127 x 600 x 826 mm)
Shipping Dimensions (H x W x D)	90.25 x 26 x 34.25 in (2292 x 660 x 870 mm)
Unit Weight	232 lb (105.2 kg)
Shipping Weight	282 lb (127.9 kg)
Certifications	EIA-310-E, IEC 60297-3-100, DIN 41494, UL 60950, RoHS, NOM, IP20, PCI-DSS
<b>Model</b>	SR45UBSDEXP (Without side panels.)
Unit Weight	169 lb (76.7 kg)
Shipping Weight	219 lb (99.3 kg)

Tripp Lite has a policy of continuous improvement. Specifications are subject to change without notice.

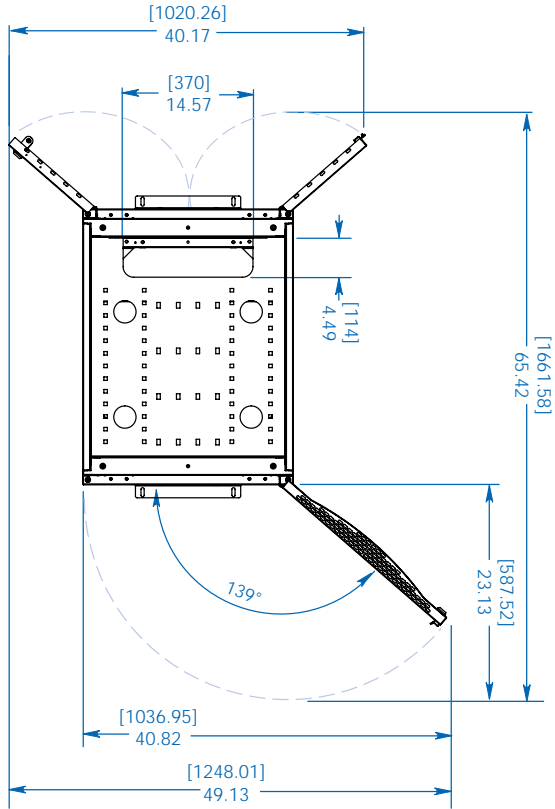
- Enclosures ship fully assembled for rapid deployment, but can be knocked down for easy reassembly in confined spaces
- Modular design optimized for quick configuration and reconfiguration
- Ideal for rackmount server, network and telecom applications

**SEE NEXT PAGE FOR DETAILED UNIT MEASUREMENTS**

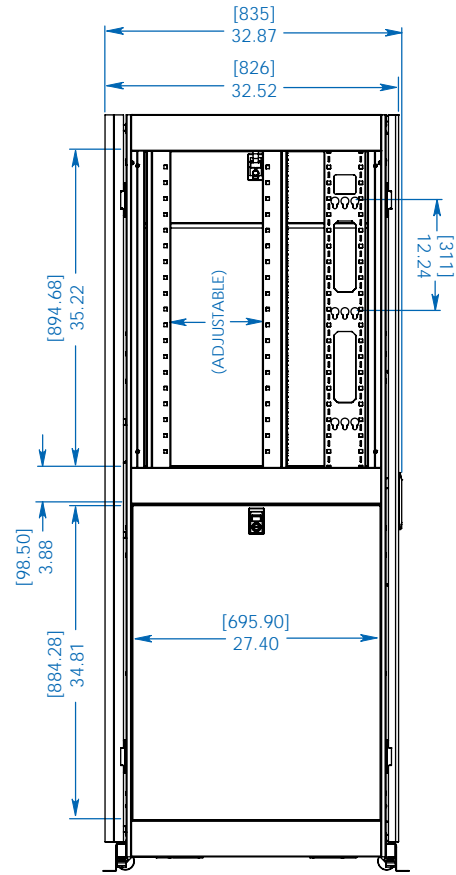


1111 W. 35th Street  
Chicago, IL 60609 USA  
773.869.1234  
www.tripplite.com

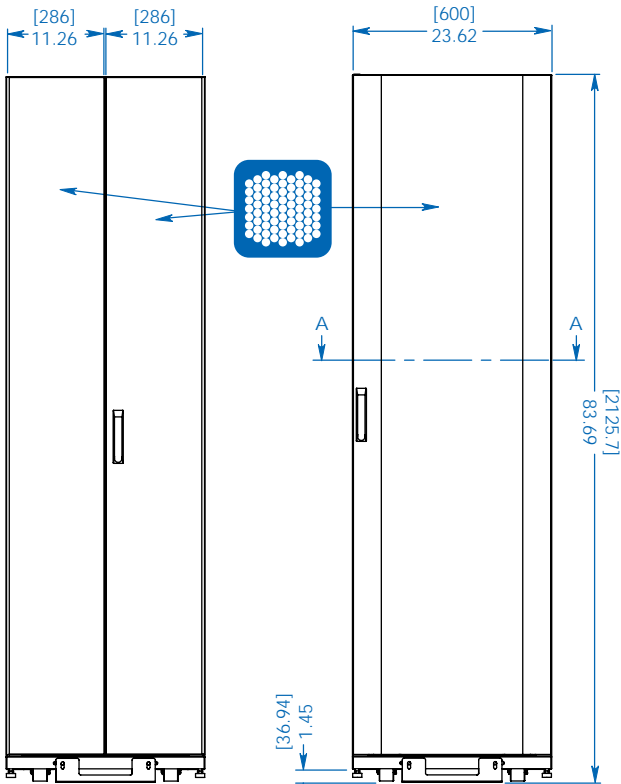
Also Available: Shock pallet models with special packaging to facilitate equipment pre-installation and reshipment to final site. Heavy-duty shock pallet holds up to 1250 lb (568 kg), including the weight of the enclosure and pre-installed equipment. Add "SP1" to model numbers above to order shock pallet models.



TOP VIEW

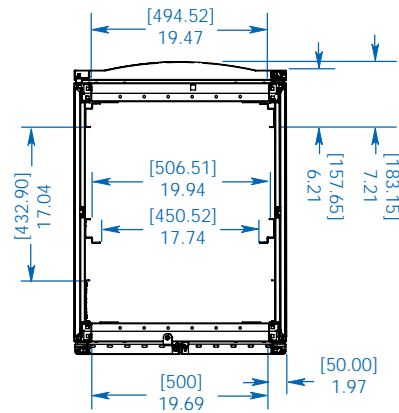


SIDE VIEW



REAR VIEW

FRONT VIEW



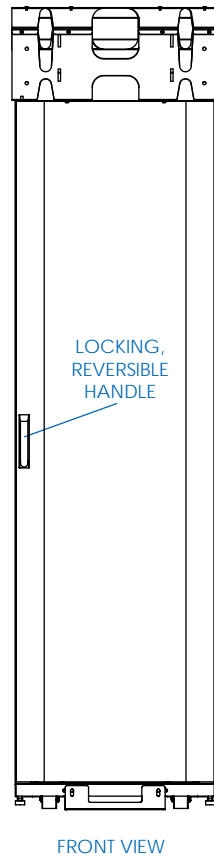
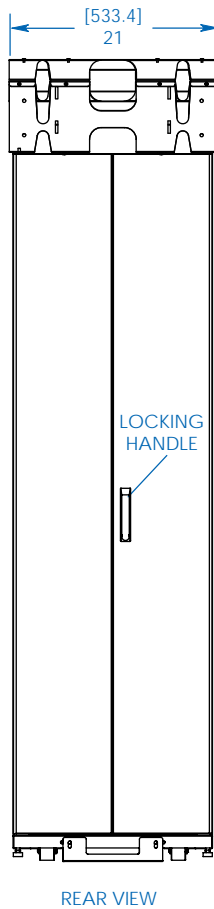
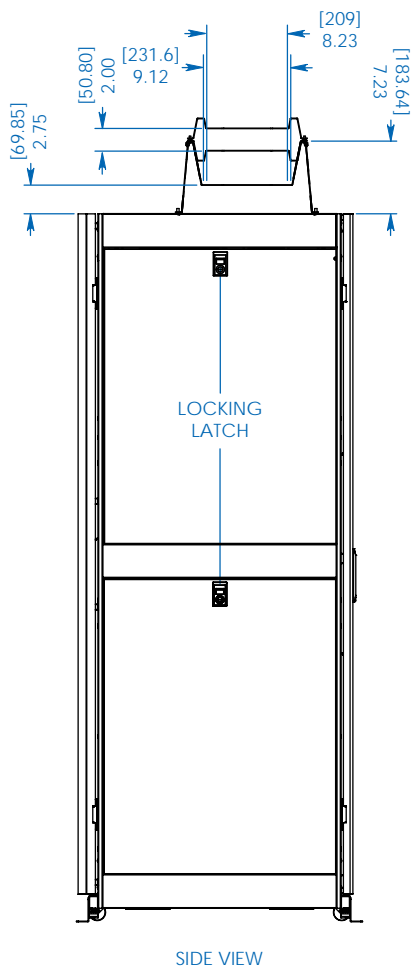
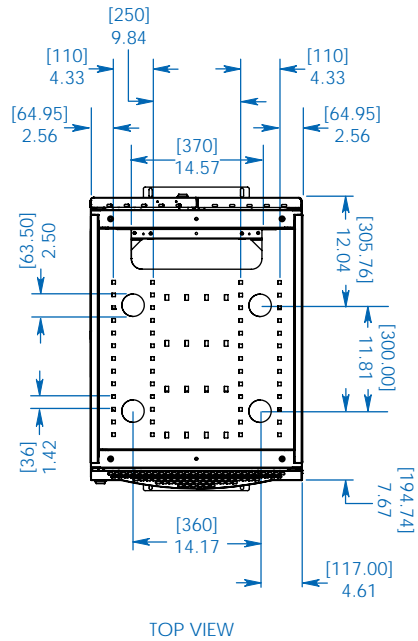
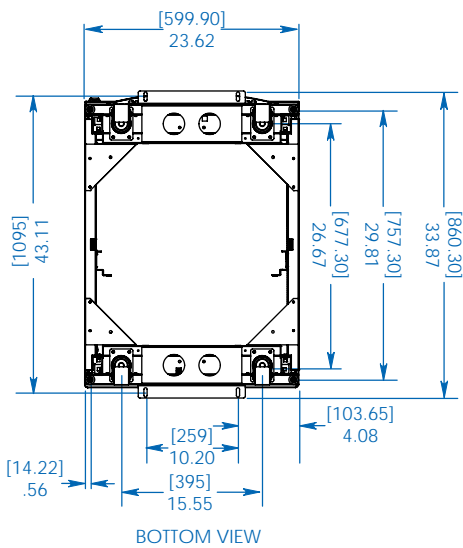
CROSS SECTION A

MODELS:  
**SR45UBSD**  
**SR45UBSDEXP**



Dimensions: [mm] INCHES

Tripp Lite has a policy of continuous improvement. Specifications are subject to change without notice.



OPTIONAL SRCABLETRAY AND SRCABLETRAYEXP CABLE MANAGEMENT ACCESSORIES SHOWN (MOUNTING POSITION ADJUSTS TO ACCOMMODATE A WIDE RANGE OF APPLICATIONS)

MODELS:  
**SR45UBSD**  
**SR45UBSDEXP**



1111 W. 35th Street  
 Chicago, IL 60609 USA  
 773.869.1234  
 www.tripplite.com

Dimensions: [mm] INCHES

Tripp Lite has a policy of continuous improvement. Specifications are subject to change without notice.