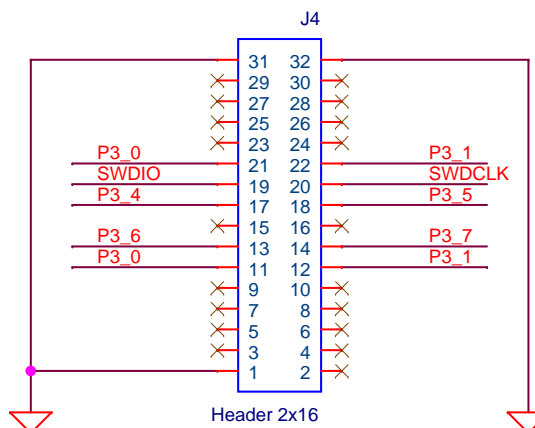
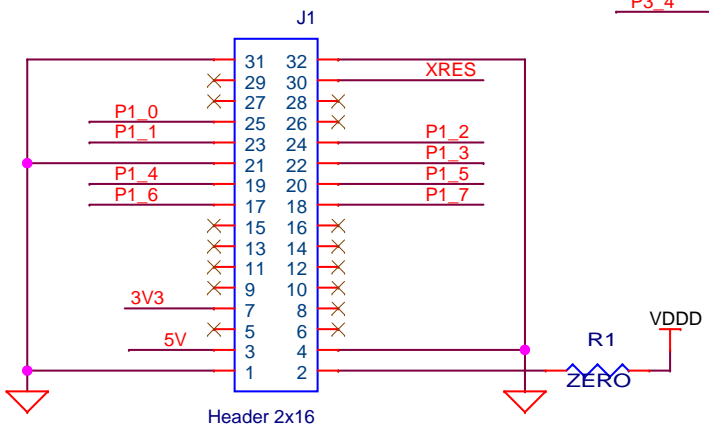
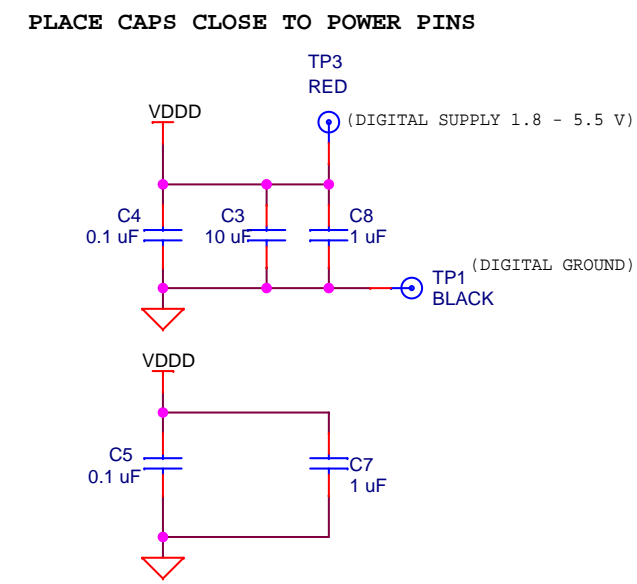
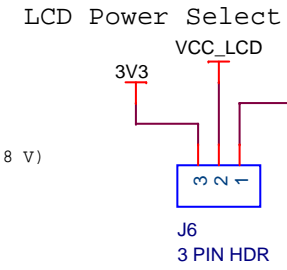
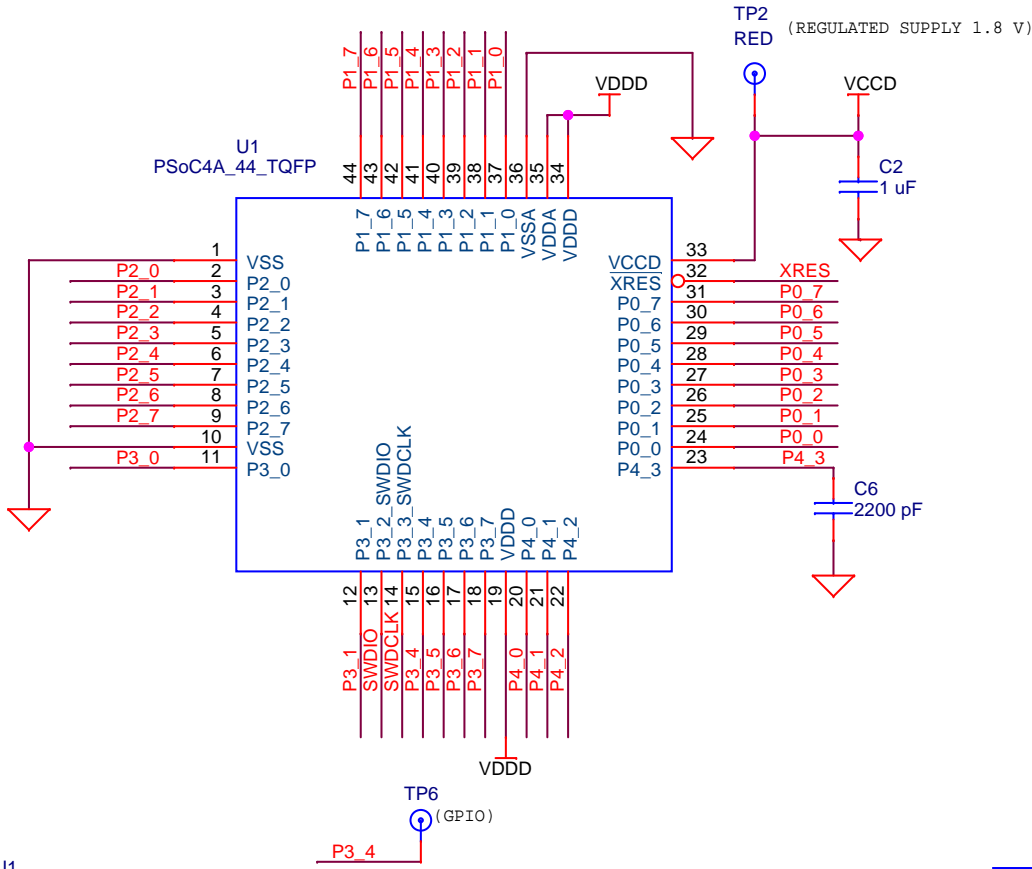
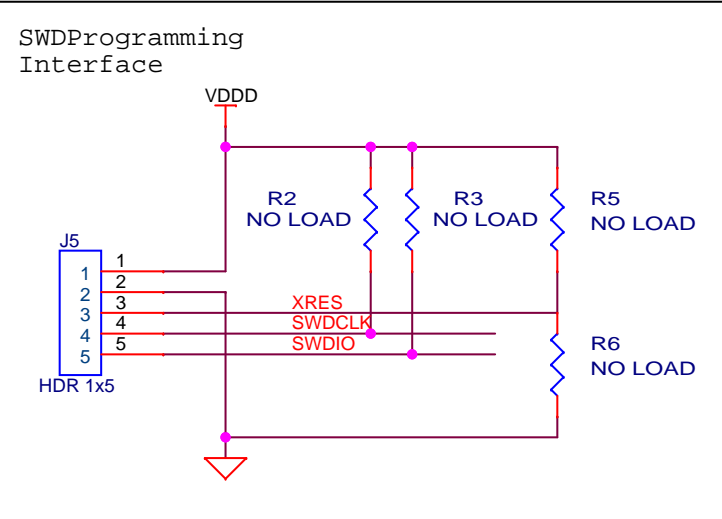
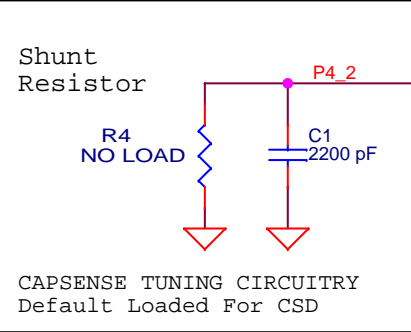
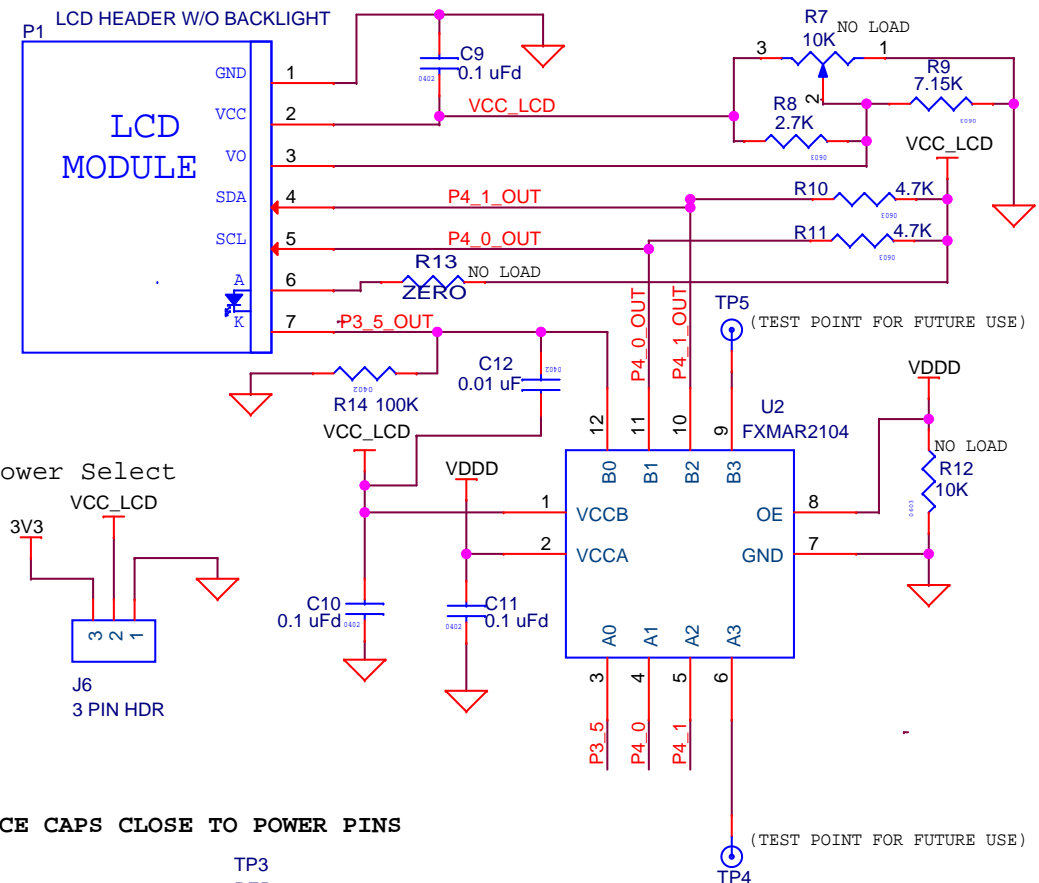
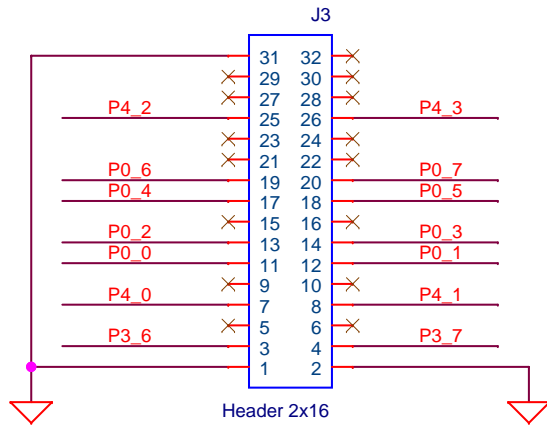
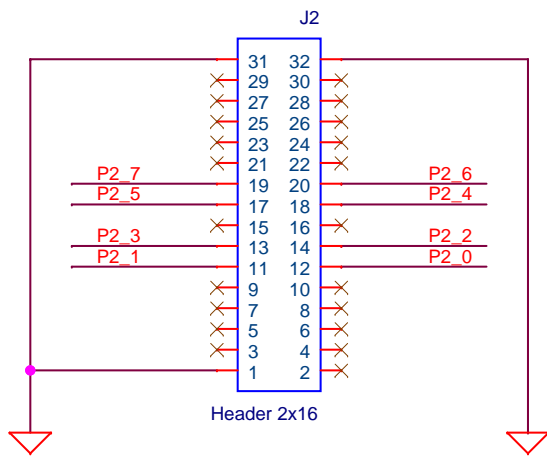


CY8C42 FAMILY
PROCESSOR MODULE



PCA: 121-60038-01
PCB: 600-60048-01
FAB DRW: 610-60046-01
ASSY DRW: 620-60048-01

CYPRESS SEMICONDUCTOR © 2012		
Title CY8CKIT-038 44 PIN TQFP		
Size B	Document Number 630-60048-01	Rev 05
Date: Wednesday, April 03, 2013	Sheet 1 of 1	