

LOC	DIST	REVISIONS					
A	66	P	LTR	DESCRIPTION	DATE	DWN	APVD
			G1	SEE PRODUCT DRAWING	-	-	-


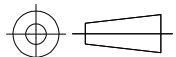
SEE PRODUCTION DRAWING
1385624

THIS DRAWING IS UNPUBLISHED.

ALL INTERNATIONAL RIGHTS RESERVED.

BY TYCO ELECTRONICS CORPORATION.

© COPYRIGHT

DIMENSIONS: INCHES	DWN	M.YOUNGER	13SEP2010	MATERIAL	-	FINISH	-				
	CHK	-	-	 Tyco Electronics Corporation Harrisburg, PA 17105-3608							
TOLERANCES UNLESS OTHERWISE SPECIFIED:	APVD	-	-					NAME			
	PRODUCT SPEC	-	-	SIDE FEED HDM APPLICATOR							
0 PLC ± - 1 PLC ± - 2 PLC ± - 3 PLC ± - 4 PLC ± - ANGLES ± -	APPLICATION SPEC	-	-	SIZE	A4	CAGE CODE	00779				
	WEIGHT	-	-	DRAWING NO	G-1385624		RESTRICTED TO	-			
				CUSTOMER DRAWING		SCALE	1:1	SHEET	1 OF 1	REV	G1