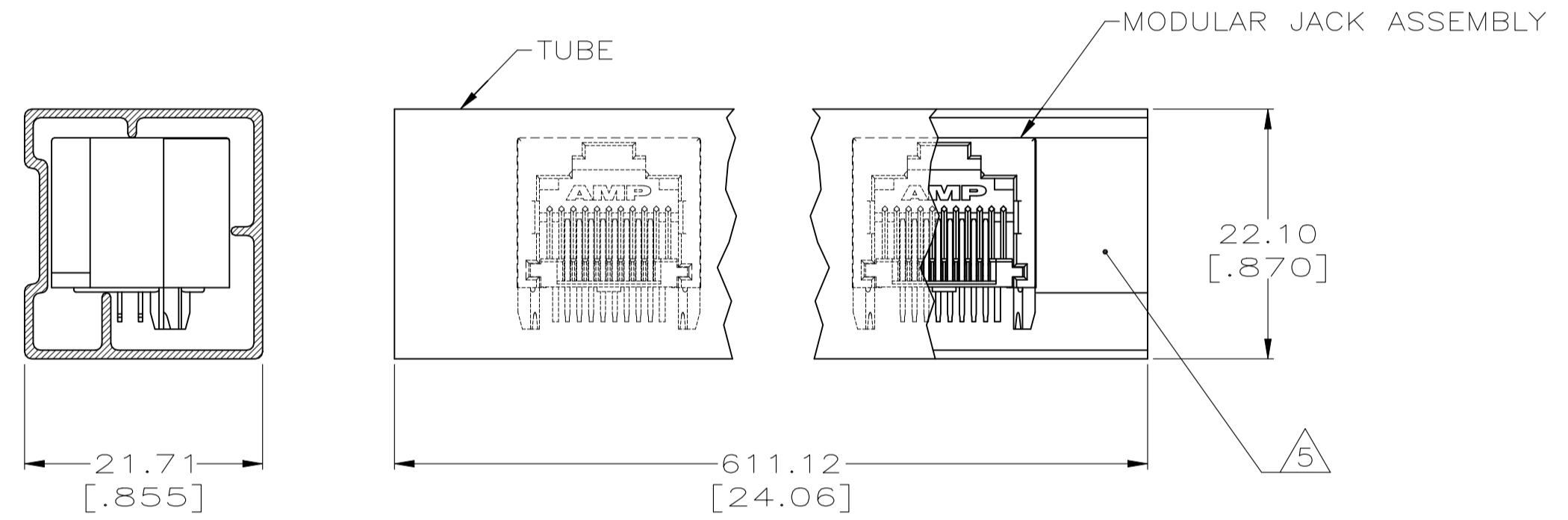
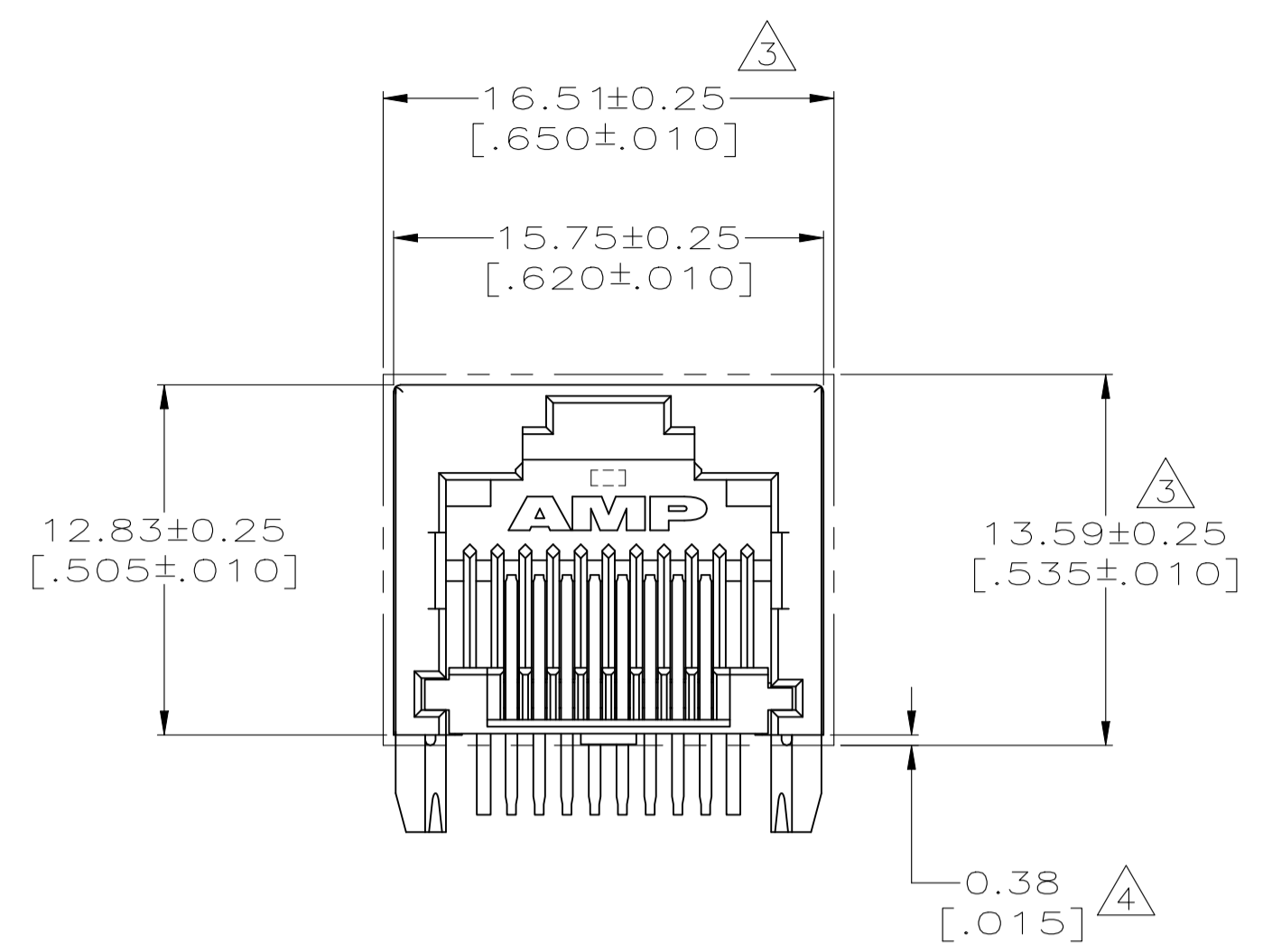
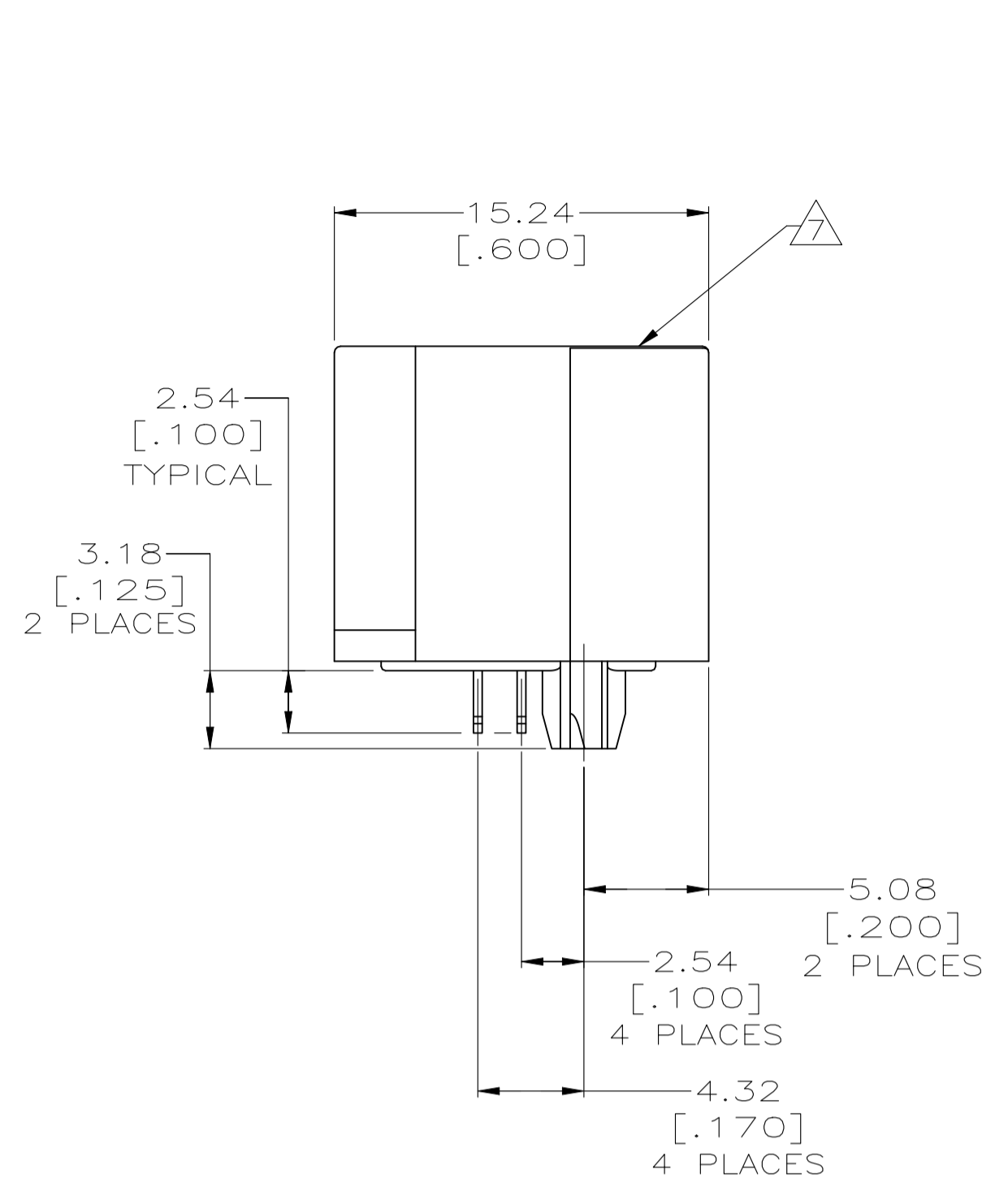
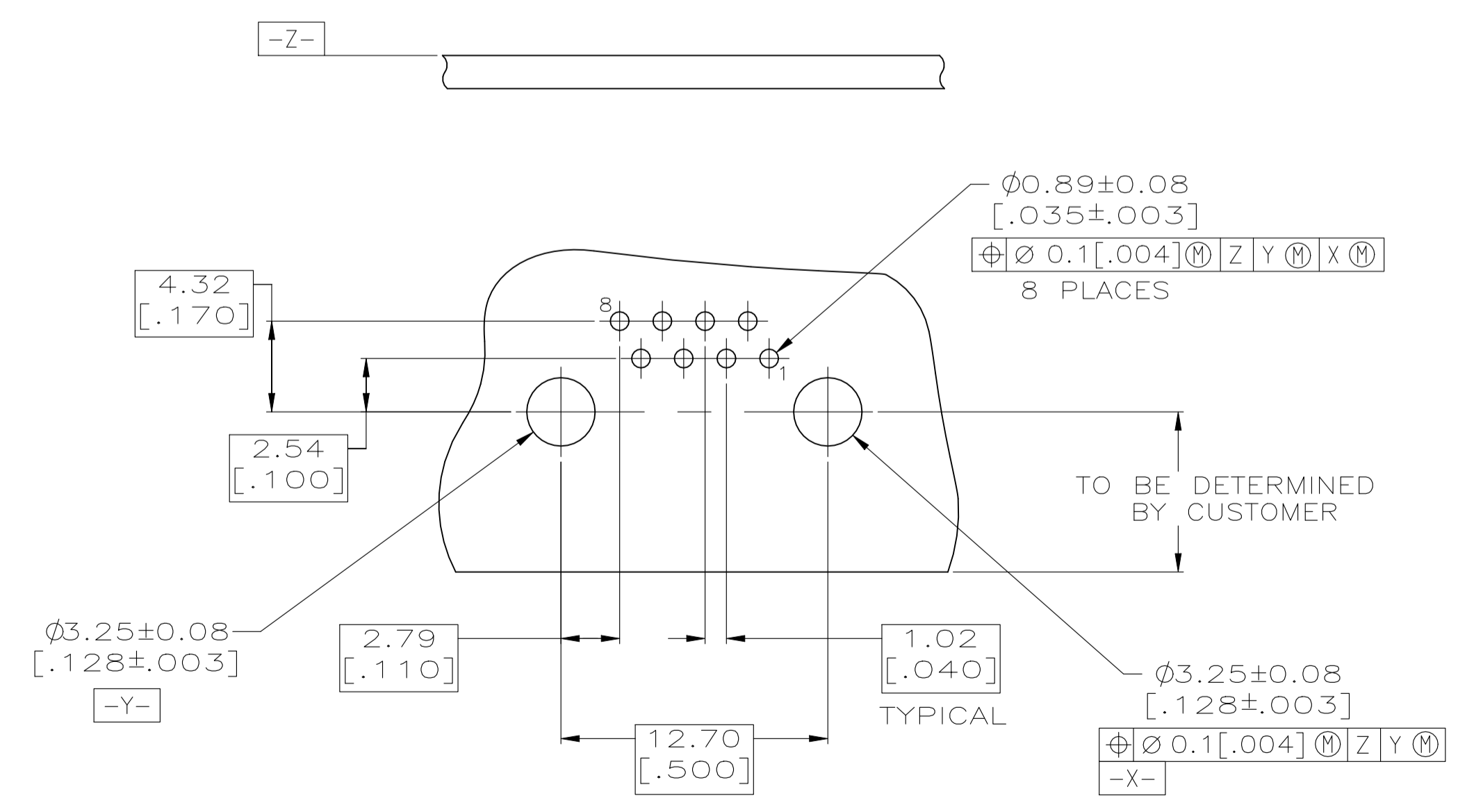


| REVISIONS | | | | |
|-----------|---------------------------|-----------|----|-------|
| REV | DESCRIPTION | DATE | BY | APP'D |
| G | REVISED PER ECO-20-015830 | 15SEP2021 | AK | SZ |



DETAIL A
TUBE PACKAGING
SCALE 2:1

- △ MATERIAL:
HOUSING - HIGH TEMPERATURE THERMOPLASTIC, BLACK, UL94V-0; SOLDERING PROCESS COMPATIBLE.
TERMINALS - .36[.014] THICK PHOS BRONZE PLATED WITH 3.81µm[.000150] MINIMUM THICK (SEE P/N TABLE) IN SOLDER AREA. 1.27µm[.000050] MINIMUM GOLD IN LOCALIZED PLATE AREA. ENTIRE TERMINAL PLATED WITH 1.27µm[.000050] MINIMUM THICK NICKEL.
- 2. JACK CAVITY CONFORMS TO FCC RULES AND REGULATIONS PART 68, SUBPART F.
- △ SUGGESTED PANEL OPENING DIMENSIONS.
- △ SUGGESTED CLEARANCE BETWEEN BOTTOM OF CONNECTOR AND BOTTOM PANEL OPENING.
- △ PACKAGED 35 PIECES PER TUBE, SEE DETAIL "A".
- △ 80 PIECES/TRAY, 10 TRAYS/BOX.
- △ MANUFACTURING DATE CODE:
INK STAMP, LOCATED APPROX. AS SHOWN.
FIRST 2 DIGITS = LAST 2 DIGITS OF YEAR.
NEXT 2 DIGITS = MANUFACTURING WORK WEEK.
LAST DIGIT = DAY OF WEEK WITH SUNDAY = 1.



SUGGESTED PRINTED CIRCUIT BOARD LAYOUT
(COMPONENT SIDE)

| | | | |
|----------|--------------------|---------------------------------|-------------|
| OBSOLETE | MATTE TIN | △ TUBE | 1-406525-3 |
| | MATTE TIN | △ TRAY, PICK & PLACE COMPATIBLE | 1-406525-2 |
| | MATTE TIN | TRAY | 1-406525-1 |
| OBSOLETE | BRIGHT TIN=LEAD | △ TUBE | 406525-3 |
| OBSOLETE | BRIGHT TIN=LEAD | △ TRAY, PICK & PLACE COMPATIBLE | 406525-2 |
| OBSOLETE | BRIGHT TIN=LEAD | TRAY | 406525-1 |
| | △ TERMINAL PLATING | PACKAGING | PART NUMBER |

| | | | | |
|--|--------------|-------------------------|-----------------|-------------------------------------|
| THIS DRAWING IS A CONTROLLED DOCUMENT. | | DIN G GARRETT 17SEP97 | TE Connectivity | |
| | | CMK G GARRETT 17SEP97 | | |
| DIMENSIONS: mm [INCHES] | | APVD M DERSTINE 17SEP97 | | NAME |
| TOLERANCES UNLESS OTHERWISE SPECIFIED: | | PRODUCT SPEC | | INVERTED MODULAR JACK ASSEMBLY, 1X1 |
| 0 PLC | ± - | 108-1163-4 | | APPLICATION SPEC |
| 1 PLC | ± - | 114-2154 | | SIZE |
| 2 PLC | ± 0.25[.010] | 114-2154 | | WEIGHT |
| 3 PLC | ± 0.13[.005] | A1 00779 C=406525 | | RESTRICTED TO |
| 4 PLC | ± - | CUSTOMER DRAWING | | SCALE 4:1 SHEET 1 OF 1 REV G |
| ANGLES | ± - | | | |