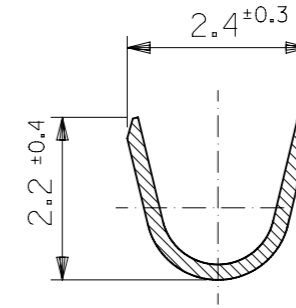
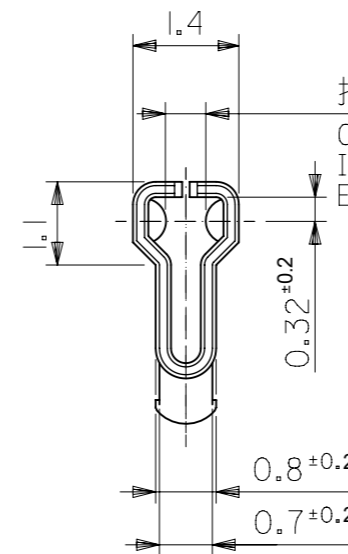
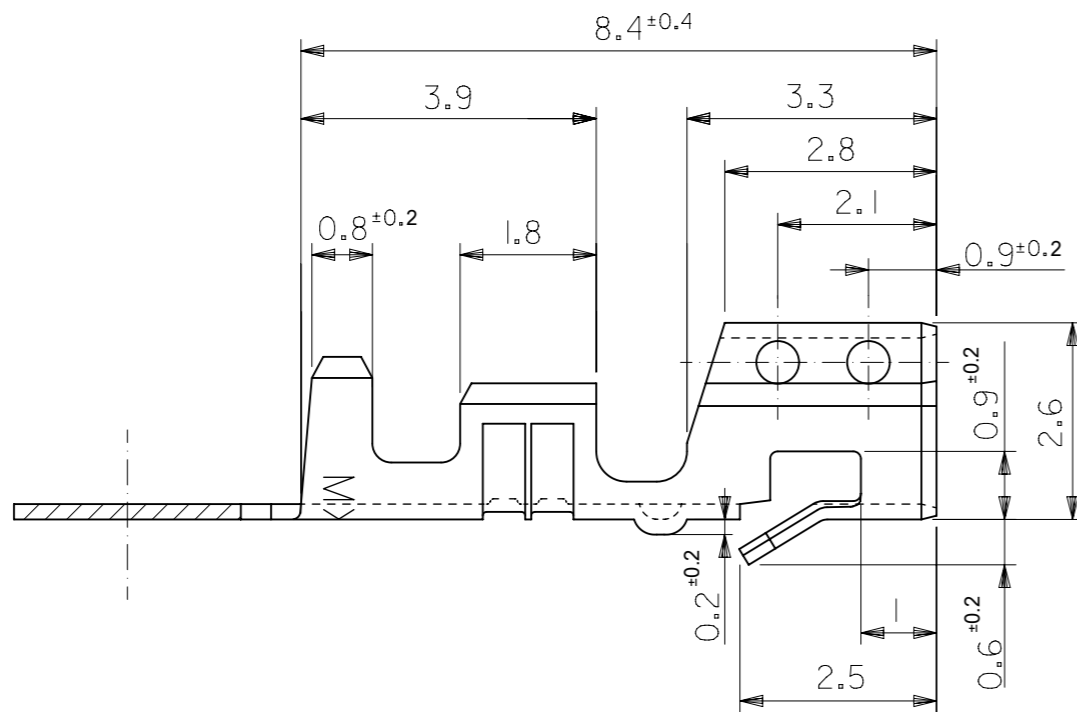


断面 A-A  
SECT. A-A



断面 B-B  
SECT. B-B



挿抜力により管理  
CONTROL TO  
INSERTION &  
EXTRACTION FORCE.

注記 NOTES;

- 1. 適合ハウジング :  
APPLICABLE HOUSING : 5207-N

材料 MATERIAL	表参照 (t=0.203) SEE TABLE
適用電線範囲 WIRE RANGE	AWG #22 ~ 28 0.33 ~ 0.08mm <sup>2</sup>
被覆外径 INS. RANGE	Ø 1.15 ~ Ø 1.9

錫メッキ済黄銅 PRE-TINNED BRASS	08-70-0056	5103T	連鎖状 CHAIN
材料 MATERIAL	EDP NO.	ENG. NO.	端子形状 FORM
THIS DRAWING CONTAINS INFORMATION THAT IS PROPRIETARY TO MOLEX ELECTRONIC TECHNOLOGIES, LLC AND SHOULD NOT BE USED WITHOUT WRITTEN PERMISSION			
DIMENSION UNITS mm	SCALE 10:1	CURRENT REV DESC: REMOVED OBSOLETE PART NUMBERS AS PER PCN#510812.	
GENERAL TOLERANCES (UNLESS SPECIFIED)		<b>molex</b>	
ANGULAR TOL ± 3.0°			
4 PLACES ± 0.2	EC NO: 728320	MINI SPOX CRIMP REC	
3 PLACES ± 0.25	DRWN: LIKITV 2022/11/10		
2 PLACES ± 0.3	CHK'D: GGA 2022/12/12	PRODUCT CUSTOMER DRAWING	
1 PLACE ±	APPR: GGA 2022/12/12		
0 PLACES ±	INITIAL REVISION:	DOCUMENT NUMBER	
DRAFT WHERE APPLICABLE MUST REMAIN WITHIN DIMENSIONS		DRWN: KSAITO01 2006/07/31	SD-5103-002
THIRD ANGLE PROJECTION		APPR: NUKITA 2006/08/07	DOC TYPE DOC PART REVISION
DRAWING A3-SIZE	SERIES 5103	MATERIAL NUMBER SEE CHART	CUSTOMER GENERAL MARKET
SHEET NUMBER 1 OF 1		PSD 001 P1	