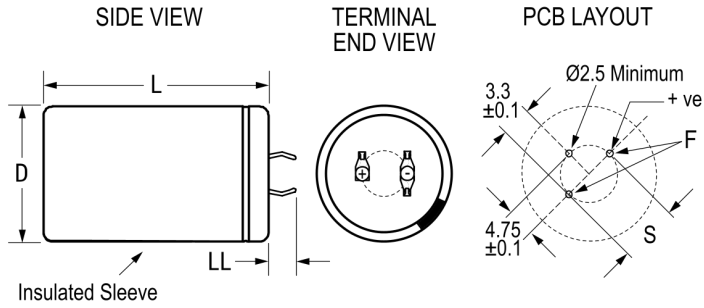


## PEH506PBB3680M3

Aliases (A511CC681M100F)

PEH506, Aluminum Electrolytic, 680 uF, 20%, 100 VDC, -40/+85°C



Click [here](#) for the 3D model.

### Dimensions

D	25mm +/-0.5mm
L	25mm +/-1mm
S	10mm +/-0.1mm
LL	4mm +/-1mm
F	2mm +/-0.1mm

### Packaging Specifications

Packaging	Bulk, Bag
-----------	-----------

### General Information

Series	PEH506
Dielectric	Aluminum Electrolytic
Description	Snap-In, Aluminum Electrolytic
RoHS	Yes
Lead	3 Pin Short
AEC-Q200	No
Component Weight	19 g
Notes	Add 0.5mm To D And 1mm To L For Sleeving.
Shelf Life	208 Weeks

### Specifications

Capacitance	680 uF
Capacitance Tolerance	20%
Voltage DC	100 VDC
Temperature Range	-40/+85°C
Rated Temperature	85°C
Life	3000 Hrs (Rated Voltage And Ripple Current At 85C), 6000 Hrs (Rated Voltage At 85C)
Resistance	310 mOhms (100Hz 20C), 240 mOhms (100kHz 20C)
Ripple Current	1.7 Amps (100Hz 85C), 4.1 Amps (20kHz 40C)
Leakage Current	204 uA (5min 20°C)

Statements of suitability for certain applications are based on our knowledge of typical operating conditions for such applications, but are not intended to constitute - and we specifically disclaim - any warranty concerning suitability for a specific customer application or use. This information is intended for use only by customers who have the requisite experience and capability to determine the correct products for their application. Any technical advice inferred from this information or otherwise provided by us with reference to the use of our products is given gratis, and we assume no obligation or liability for the advice given or results obtained.