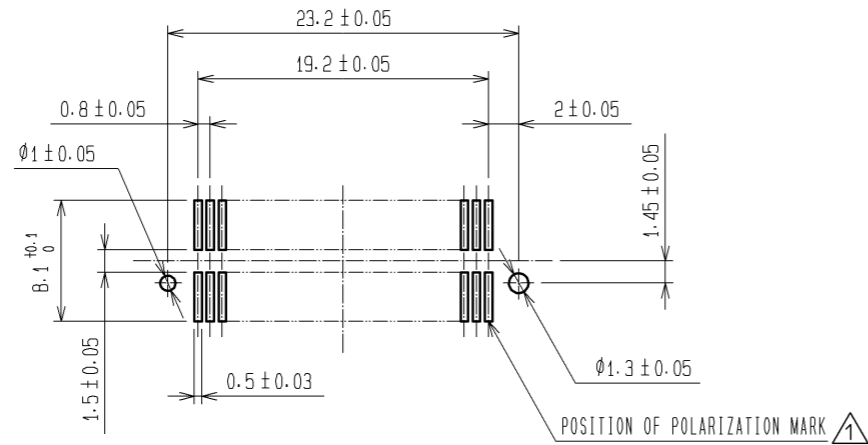


- NOTE
- 1 HRS MARK SHALL BE OPTIONAL.
 - 2 LEAD CO-PLANARITY SHALL BE 0.1mm MAX.
 - 3 EMBOSSED CARRIER TAPE PACKAGING SHALL BE APPLIED TO THIS PRODUCT. SEE NEXT PAGE FOR DETAILS.
 - 4 THIS PRODUCT HAS TAPE FOR VACUUM PICKUP. SEE NEXT PAGE FOR DETAIL OF STICKING POSITION, ETC.
 - 5 FOR MODIFICATION, ETC. PREVENTIVE HOLE FOR SINK MARK MAY BE ADDED ACCORDING TO CIRCUMSTANCES.
 - 6 THE DIMENSIONS IN PARENTHESES ARE FOR REFERENCE.

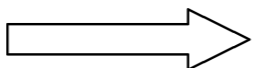
RECOMMENDED LAND PATTERN DIMENSION OF PCB (MOUNTING SIDE)
(RECOMMENDED METAL MASK THICKNESS:0.15mm)



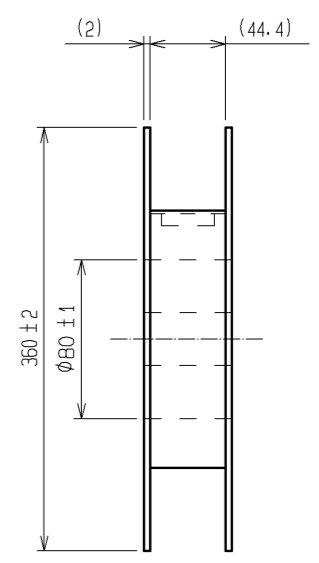
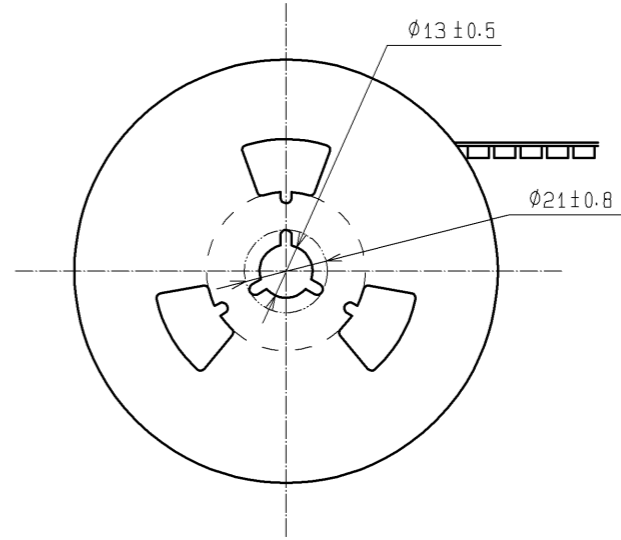
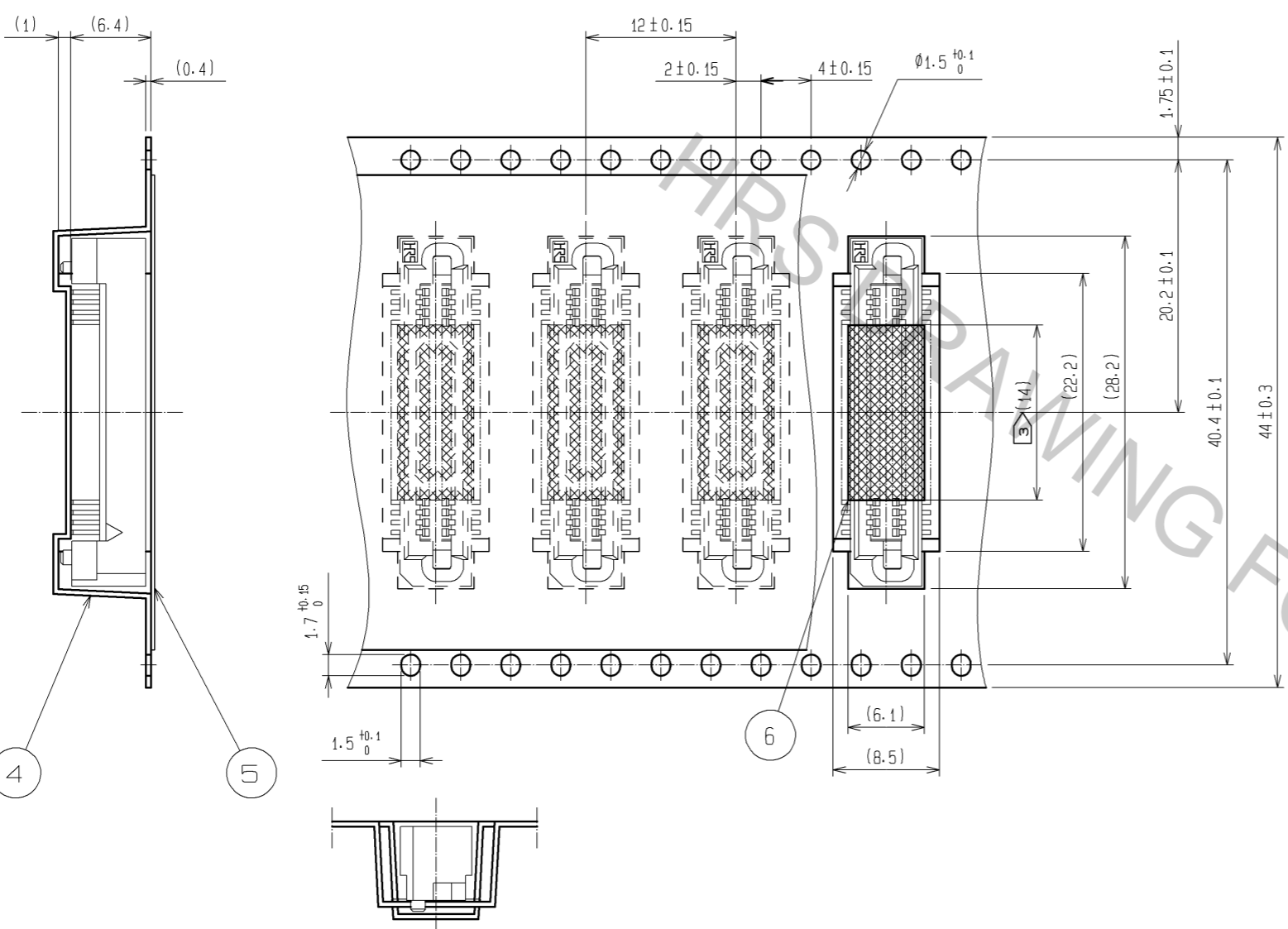
2	PHOSPHOR BRONZE	CONTACT AREA:GOLD 0.1μm min.	5	POLYIMIDE	(TAPE FOR VUCUUM PICKUP)
		LEAD AREA:TIN-PLATING 1μm min.			4
1	PPS	UNDER PLATING:NICKEL 2μm min.	3	POLYSTYRENE	(EMBOSSED CARRIER TAPE)
		LIGHT BROWN (UL94V-0)			
NO.	MATERIAL	FINISH . REMARKS	NO.	MATERIAL	FINISH . REMARKS
UNITS mm		SCALE 2 : 1	COUNT 2	DESCRIPTION OF REVISIONS DIS-F-003246	
HRS HIROSE ELECTRIC CO., LTD.		APPROVED : HS. OKAWA 08.06.13	DRAWING NO. EDC3-071641-23		
		CHECED : HT. YAMAGUCHI 08.06.13	PART NO. FX6-50S-0.8SV2(93)		
		DESIGNED : SY. KAMIGA 08.06.12	CODE NO. CL576-0124-3-93		
		DRAWN : HK. SUNADORI 08.06.12	DATE 08.07.22		
		DESIGNED : HK. SUNADORI 08.06.12	CHECKED : HT. YAMAGUCHI		
			DATE 08.07.22		

DRAWING FOR PACKING(2:1)

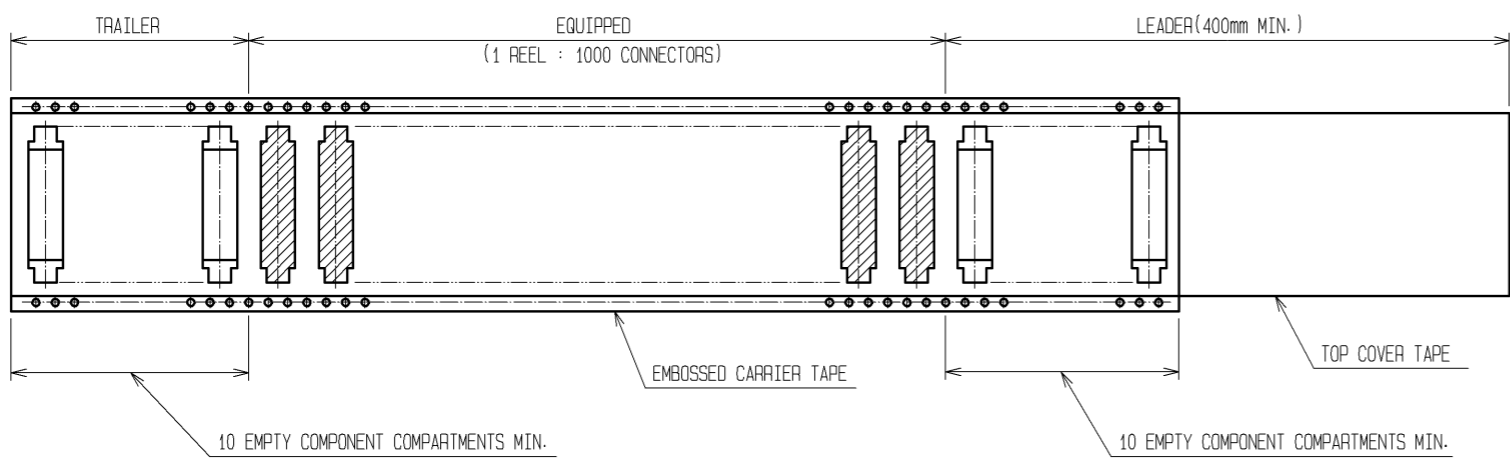
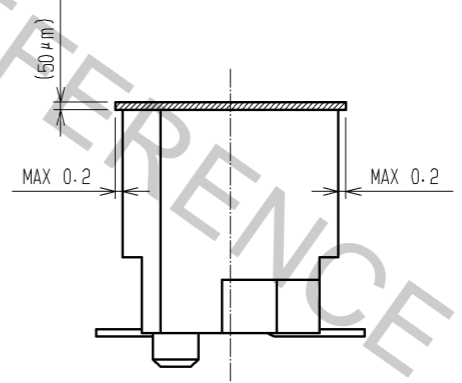
UNREELING DIRECTION



REELED DIMENSION (FREE)



DETAIL POSITION OF TAPE FOR VACUUM PICK-UP (5:1)



- NOTE 1. THE DIMENSIONS IN PARENTHESES ARE FOR REFERENCE.
- 2. 1 REEL : 1000 CONNECTORS
- ③ REMOVE THE VACUUM PICK-UP TAPE AFTER MOUNTING THE CONNECTOR.

HRS	DRAWING NO.	EDC3-071641-23
	PART NO.	FX6-50S-0.8SV2(93)
	CODE NO.	CL576-0124-3-93
		2/2