

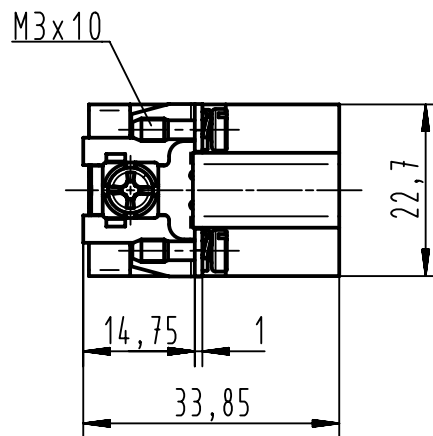
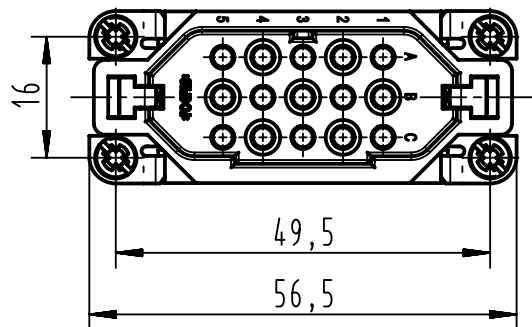
1 2 3 4 5 6

A

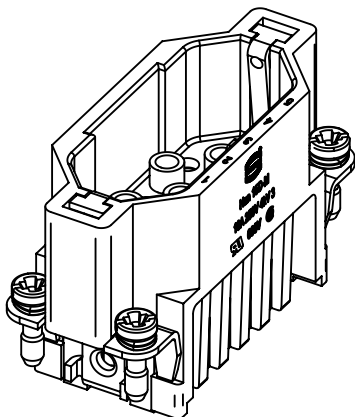
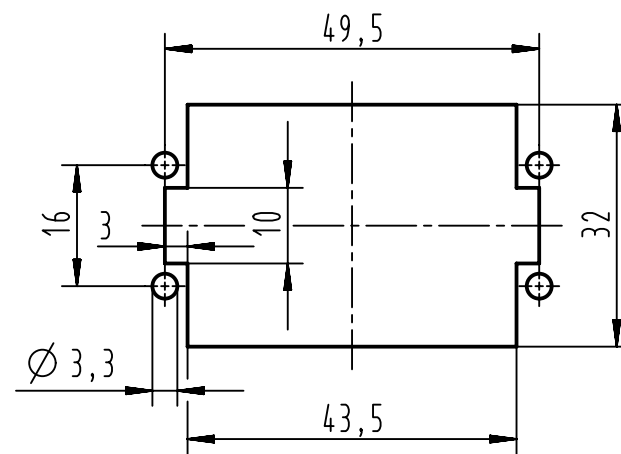
B



C

D



panel cut out



 All Dimensions in mm Original Size DIN A4	Scale	Free size tol.			Ref.
	1:1				Sub.
 All rights reserved Department EL PD - DE	Created by	Inspected by	Standardisation	Date	State
	GRUBES	BERGHORN	SCHMIDTM	2012-08-23	Final Release
HARTING Electric GmbH & Co. KG D-32339 Espelkamp	Title				Doc-Key / ECM-Nr.
	Han D 15 Pos. M Insert Crimp				100127536/UGD/004/C
Type	Number	Rev.			Page
TB	09 21 015 3001	C			1/1