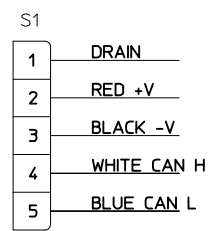
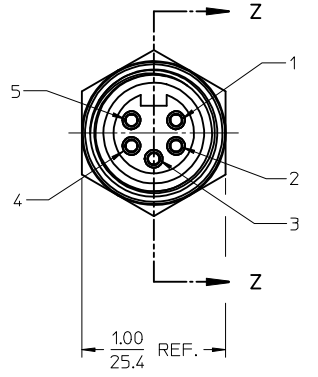
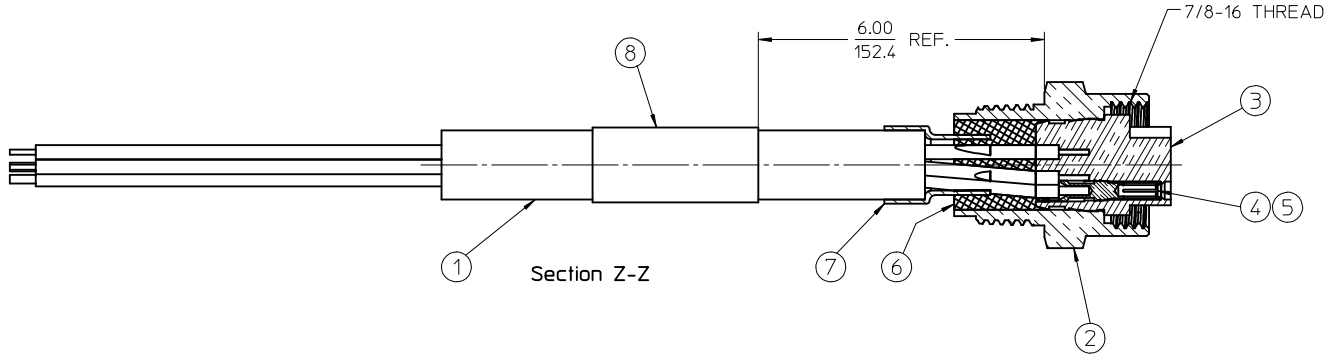
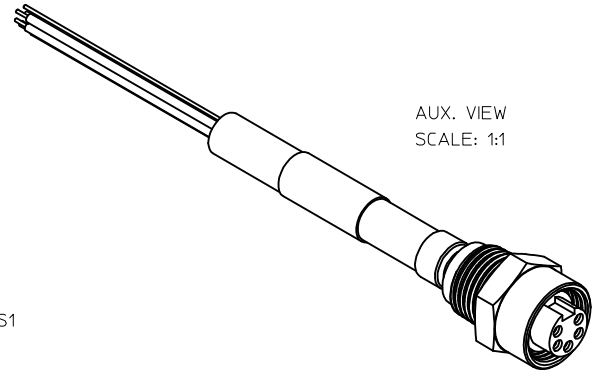
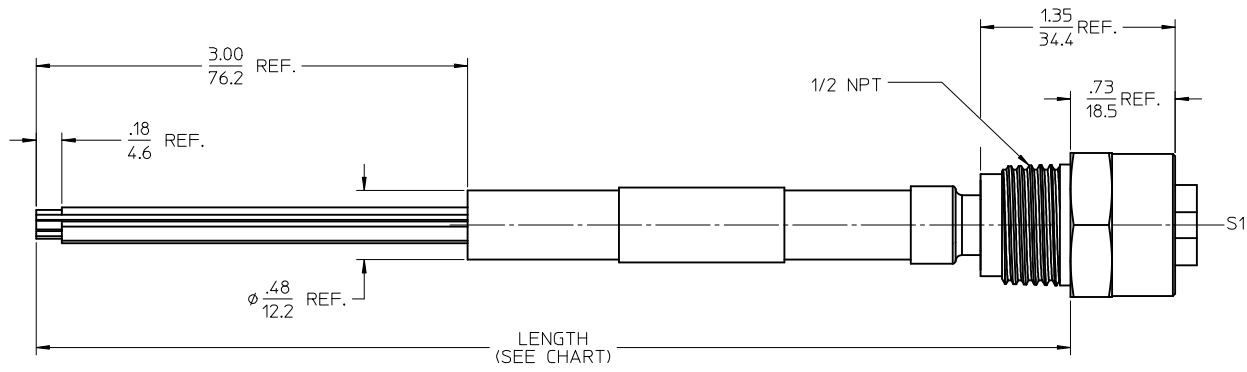


MATERIAL NO.	ENGINEERING NO.	LENGTH
1300390283	DN5000-M005	19.69 +1.75-0 [0.5M +44.5-0]
1300390284	DN5000-M010	39.37 +2.19-0 [1.0M +55.6-0]



WIRING DIAGRAM

- NOTES:
1. MATERIAL: SEE TABLE
 2. FINISHES: SEE TABLE
 3. CABLE ASSEMBLIES ARE BAGGED SEPERATELY IN POLY BAGS WITH BARCODE LABEL ATTACHED TO OUTSIDE OF BAG
 4. WRAP LABEL IS MARKED WITH P/N, DATE CODE VOLTAGE & AMPERAGE
 5. MATES WITH: MINI CHANGE, A-SIZE 5 POLE CABLE ASSY.
 6. ELECTRICAL SPECIFICATIONS:
VOLTAGE RATING: 300V
CURRENT RATING: 4 AMPS
 7. ASSEMBLY IS RoHS COMPLIANT

8	1	LABEL	PLASTIC FILM	BLACK/YELLOW
7	1	SHRINK TUBE	POLYOLEFIN	BLACK
6	1	POTTING	EPOXY	
5	5	SOCKET SLEEVE	ST. STEEL	
4	5	CONTACT SOCKET	BRASS	GOLD PLATED
3	1	INSERT	PVC	GRAY
2	1	RECEPTACLE SHELL	ALUMINUM	CLEAR ANODIZED
1	1	CABLE, DEV-NET, 15/18 AWG (THICK)	PVC INSULATED	GRAY
ITEM	QTY.	DESCRIPTION	MATERIAL	FINISH

RELEASED EC NO: WNA2010-0113 DRAWN BY: R.STONE 2009/08/21 CHKD BY: WOODMAN APPR: J.MURPHY 2009/08/21	QUALITY SYMBOLS ▽=0 ▽=0	GENERAL TOLERANCES (UNLESS SPECIFIED)		DIMENSION STYLE IN/MM	SCALE 1.5:1	DESIGN UNITS INCH	THIRD ANGLE PROJECTION
		4 PLACES ± --- ± --- 3 PLACES ± --- ± --- 2 PLACES ± --- ± .01 1 PLACE ± 0.3 ± --- ANGULAR ± 1/2°	DRAWN BY R.STONE DATE 2009/08/21	CHECKED BY B.WOODMAN DATE 2009/08/24	TITLE MINI-CHANGE, RECEPTACLE FEMALE, DEVICE-NET WITH THICK CABLE		
DRAFT WHERE APPLICABLE MUST REMAIN WITHIN DIMENSIONS		APPROVED BY J.MURPHY DATE 2009/08/27		MOLEX INCORPORATED			
SEE CHART		MATERIAL NO.		DOCUMENT NO.		SHEET NO.	
THIS DRAWING CONTAINS INFORMATION THAT IS PROPRIETARY TO MOLEX INCORPORATED AND SHOULD NOT BE USED WITHOUT WRITTEN PERMISSION		SD-130039-010		1 OF 1		1	