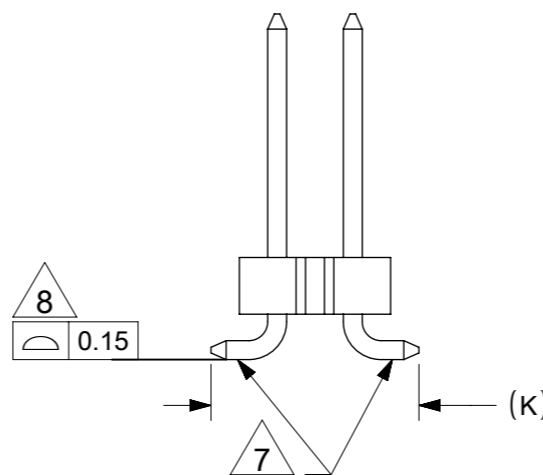
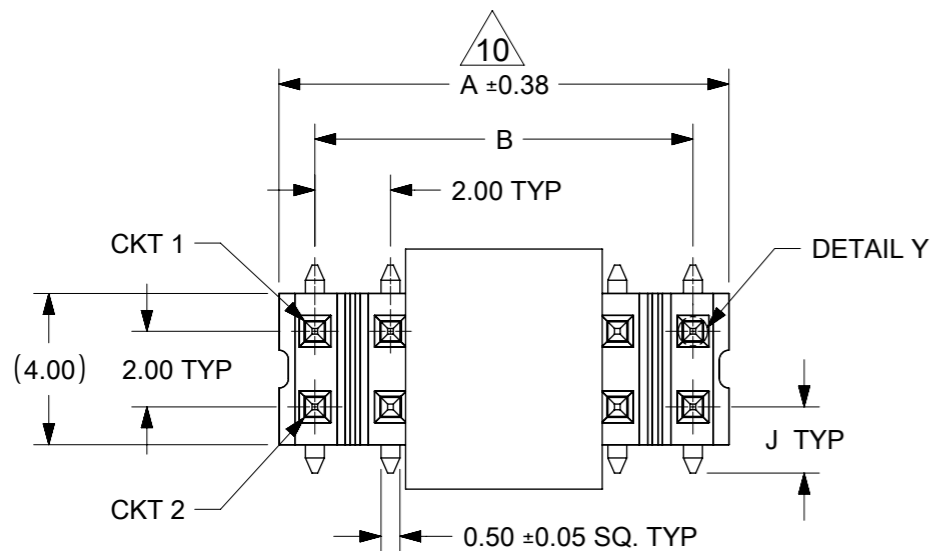
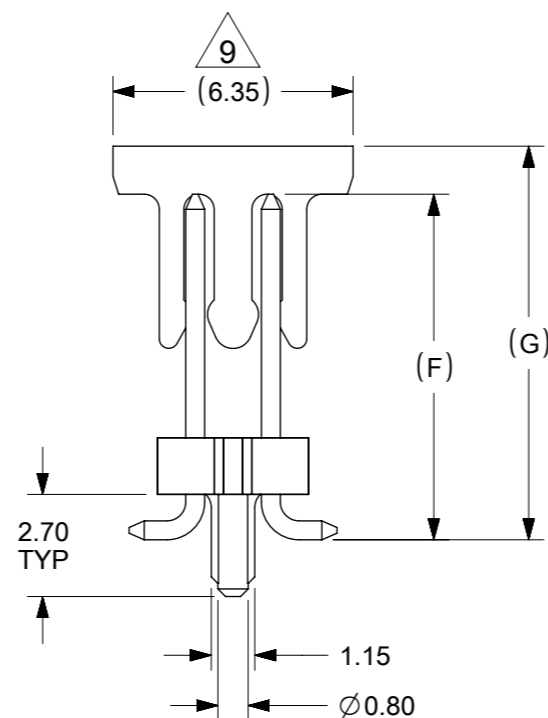
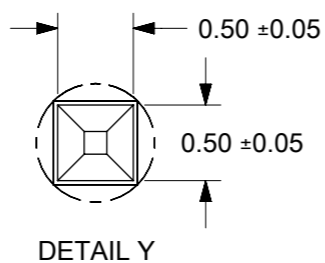


NOTES

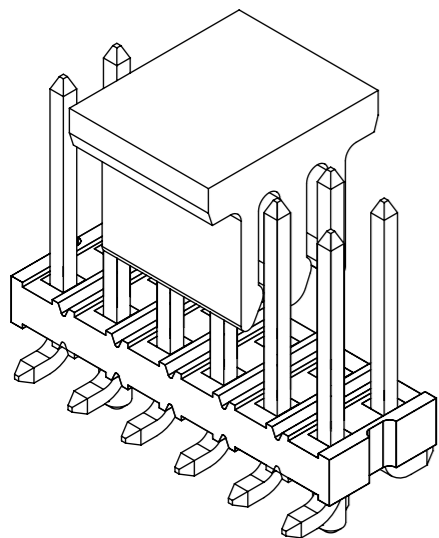
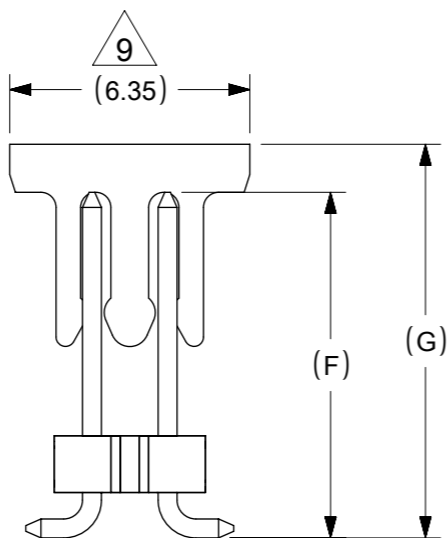
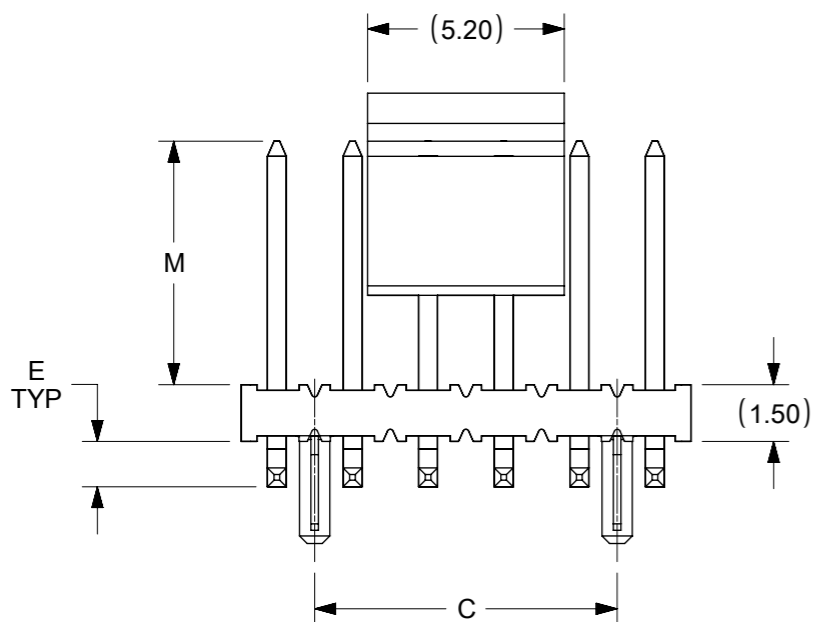
1. MATERIAL:
 HSG: NYLON, GLASS-FILLED, UL94V-0 COLOR: BLACK
 CAP: NYLON, GLASS-FILLED, UL94V-0, COLOR: BLACK
 PIN: 0.50MM SQ, COPPER ALLOY
2. PLATING TYPE:
 (1) GOLD FLASH OVER
 1.25µm MIN. NICKEL OVERALL.
 (2) 0.05-0.25µm SELECTIVE GOLD ON CONTACT AND
 2.50µm MIN. TIN ON SOLDER TAIL OVER
 1.25µm MIN. NICKEL OVERALL.
 (3) 0.38µm MIN. GOLD PLATE ON CONTACT AND
 2.00µm MIN. TIN ON SOLDER TAIL OVER
 1.25µm MIN. NICKEL OVERALL.
 (4) 0.75µm MIN. GOLD PLATE ON CONTACT AND
 2.00µm MIN. TIN ON SOLDER TAIL OVER
 1.25µm MIN. NICKEL OVERALL.
 (5) 2.50µm MIN. TIN OVERALL
 1.25µm MIN. NICKEL OVERALL
 (6) 5.00µm MIN. TIN OVERALL
 1.25µm MIN. NICKEL OVERALL
3. PRODUCT SPECIFICATION: PS-87761-100
4. PACKAGING TYPE: SEE TABLE
5. PACKAGING SPEC: PLS REFER TO SHEET 2 AND SEE TABLE
6. WAFER TO BE FLAT WITHIN 0.003 mm/mm
7. BEND DEPRESSION IS ACCEPTED SO LONG AS IT DOES NOT AFFECT THE OVERALL COPLANARITY OF TAIL
8. COPLANARITY IS TO BE MEASURED BY RESTING THE SOLDER TAIL ON A GAUGE SURFACE
9. CAP TO BE LOCATED AS CENTRAL OF PARTS AS POSSIBLE. TOP SURFACE OF CAP TO BE FLAT FOR THE PURPOSE OF PICK & PLACE BY VACUUM SUCTION NOZZLE
10. IRREGULAR CIRCUIT CUTOFF WITHIN BREAKAWAY SECTION IS PERMISSIBLE. CUTTING OR CHIPPING OF THE MAIN BODY IS NOT ACCEPTABLE
11. RECOMMENDED PCB THICKNESS IS 1.60mm±0.10
12. THE ABOVE CKT 12 IS FOR ILLUSTRATION PURPOSE ONLY
13. TUBE LENGTH AS PER STANDARD 560mm



HEADER WITHOUT PEGS & CAP VERSION

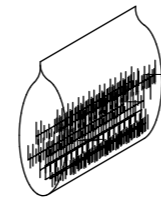
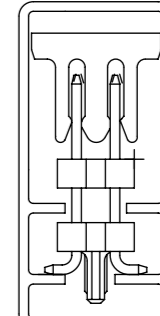
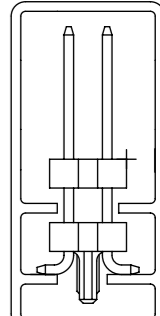
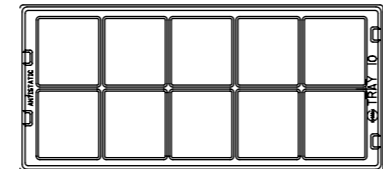
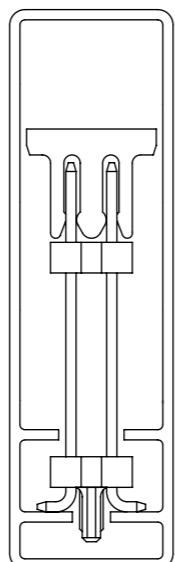
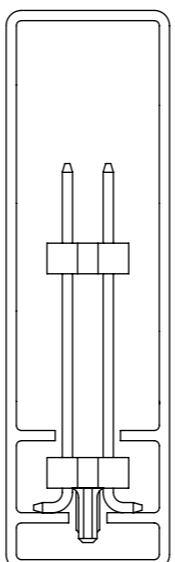
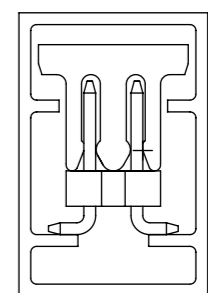
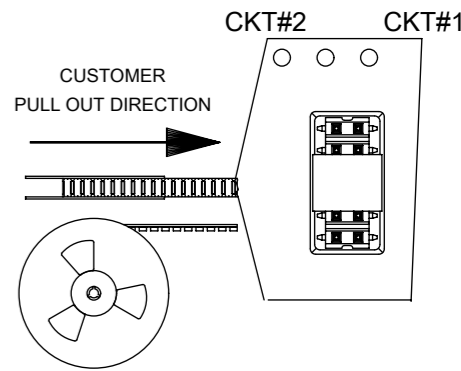



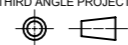
HEADER WITH CRASH PEGS & CAP VERSION



SYMBOLS	THIS DRAWING CONTAINS INFORMATION THAT IS PROPRIETARY TO MOLEX ELECTRONIC TECHNOLOGIES, LLC AND SHOULD NOT BE USED WITHOUT WRITTEN PERMISSION		CURRENT REV DESC:		
	DIMENSION UNITS SCALE GENERAL TOLERANCES (UNLESS SPECIFIED)	mm NTS			
4 PLACES ± 3 PLACES ± 2 PLACES ± 0.2 ± 1 PLACE ± 0 PLACES ± ANGULAR TOL ± 3.0°	MM INCH			INITIAL REVISION: DRWN: DRWN BY XXXX/XX/XX APPR: APPR BY XXXX/XX/XX	PRODUCT CUSTOMER DRAWING DOCUMENT NUMBER SD-151151-0001
DRAFT WHERE APPLICABLE MUST REMAIN WITHIN DIMENSIONS	THIRD ANGLE PROJECTION	DRAWING A3-SIZE	SERIES 151151	MATERIAL NUMBER CUSTOMER GENERAL MARKET	DOC TYPE PSD
					DOC PART 001
					REVISION A3
					SHEET NUMBER 1 OF 3

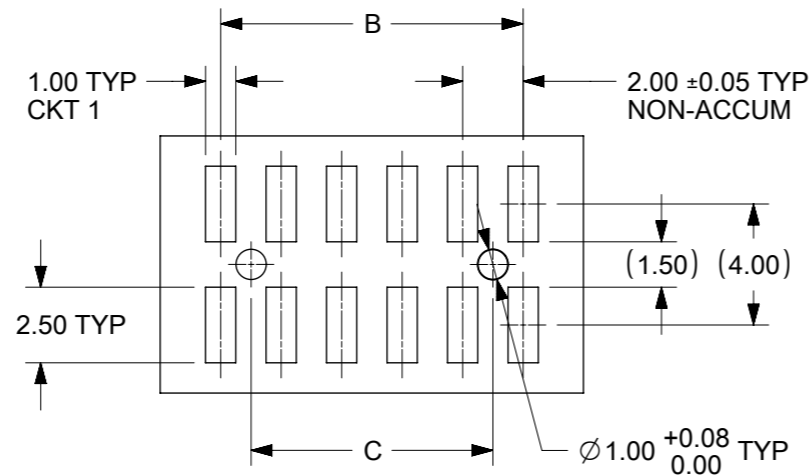
PACKAGING SPECIFICATION OVERVIEW

ITEM	PACKAGING TYPE	PACKAGING SPECIFICATION	PART OVERALL HEIGHT	PART PACKED IN PACKAGING ORIENTATION (FOR REF. USE ONLY)	ITEM	PACKAGING TYPE	PACKAGING SPECIFICATION	PART OVERALL HEIGHT	PART PACKED IN PACKAGING ORIENTATION (FOR REF. USE ONLY)	
01	BULK	PK-89990-490	-		04	TUBE	PK-89990-475	DIMENSION F/G= LESS THAN 13.3MM (WITH CAP & W/O CAP VERSION)		
02	TRAY	PK-89990-487	DIMENSION F/G= MAX. 40.0MM						HEADER WITH CAP IN TUBE	HEADER WITHOUT CAP IN TUBE
03	TUBE	PK-89990-474	DIMENSION F/G= 13.4MM ~ 23.4MM (WITH & W/O CAP VERSION)	 	05	TUBE	PK-89990-476	DIMENSION F/G = 8.05MM (WITH CAP VERSION ONLY)		HEADER WITH CAP IN TUBE
				HEADER WITH CAP IN TUBE					HEADER WITHOUT CAP IN TUBE	
					06	TAPE & REEL	PK-87858-300 (REEL Ø: 330.0 MAX.)	DIMENSION F/G= MAX. 15.0MM		
									CUSTOMER PULL OUT DIRECTION	CKT#2 CKT#1

SYMBOLS ▽ = 0 ▽ = 0 ▽ = 0 ▽ = 0 ▽ = 0 ▽ = 0 ▽ = 0 ▽ = 0 ▽ = 0 ▽ = 0	THIS DRAWING CONTAINS INFORMATION THAT IS PROPRIETARY TO MOLEX ELECTRONIC TECHNOLOGIES, LLC AND SHOULD NOT BE USED WITHOUT WRITTEN PERMISSION DIMENSION UNITS: mm SCALE: NTS GENERAL TOLERANCES (UNLESS SPECIFIED) <table border="1" style="width: 100%; border-collapse: collapse;"> <thead> <tr> <th></th> <th>MM</th> <th>INCH</th> </tr> </thead> <tbody> <tr> <td>4 PLACES</td> <td>±</td> <td>±</td> </tr> <tr> <td>3 PLACES</td> <td>±</td> <td>±</td> </tr> <tr> <td>2 PLACES</td> <td>± 0.2</td> <td>±</td> </tr> <tr> <td>1 PLACE</td> <td>±</td> <td>±</td> </tr> <tr> <td>0 PLACES</td> <td>±</td> <td>±</td> </tr> </tbody> </table> ANGULAR TOL ± 3.0° DRAFT WHERE APPLICABLE MUST REMAIN WITHIN DIMENSIONS		MM	INCH	4 PLACES	±	±	3 PLACES	±	±	2 PLACES	± 0.2	±	1 PLACE	±	±	0 PLACES	±	±	CURRENT REV DESC: EC NO: 715506 DRWN: DANUSA 2022/05/16 CHK'D: MRAMAKRISHNA 2022/08/11 APPR: MRAMAKRISHNA 2022/08/11 INITIAL REVISION: DRWN: DRWN BY XXXX/XX/XX APPR: APPR BY XXXX/XX/XX	 CUSTOM HEADER 2.00MM PTICH DUAL ROW SINGLE WAFER SMT
	MM	INCH																			
4 PLACES	±	±																			
3 PLACES	±	±																			
2 PLACES	± 0.2	±																			
1 PLACE	±	±																			
0 PLACES	±	±																			
PRODUCT CUSTOMER DRAWING			DOCUMENT NUMBER: SD-151151-0001 DOC TYPE: PSD DOC PART: 001 REVISION: A3																		
DRAFT WHERE APPLICABLE MUST REMAIN WITHIN DIMENSIONS		THIRD ANGLE PROJECTION 	DRAWING: A3-SIZE SERIES: 151151																		

CKT SIZE	DIMENSION		
	A	B	C
4	4.00	2.00	-
6	6.00	4.00	2.00
8	8.00	6.00	4.00
10	10.00	8.00	6.00
12	12.00	10.00	8.00
14	14.00	12.00	10.00
16	16.00	14.00	12.00
18	18.00	16.00	14.00
20	20.00	18.00	16.00
22	22.00	20.00	18.00
24	24.00	22.00	20.00
26	26.00	24.00	22.00
28	28.00	26.00	24.00
30	30.00	28.00	26.00
32	32.00	30.00	28.00
34	34.00	32.00	30.00
36	36.00	34.00	32.00
38	38.00	36.00	34.00
40	40.00	38.00	36.00
42	42.00	40.00	38.00
44	44.00	42.00	40.00
46	46.00	44.00	42.00
48	48.00	46.00	44.00
50	50.00	48.00	46.00

PART NO. W/O CAP IN BULK PACK	PART NO. WITH CAP IN TAPE & REEL	PART NO. WITH CAP IN TUBE	PART NO. W/O CAP IN TUBE	PART NO. W/O CAP IN TRAY	CKT SIZE	PEG	PLATE OPT.	PK SPEC.	VOID PIN#	DIMENSION					
										(G)	(F)	M	E	J	(K)
-	151151-0400	-	-	-	04	NO	3	6	-	13.81	12.50	10.00	1.00	2.00	6.00
(A3)	151151-0803	-	-	-	08	NO	3	6	-	8.85	7.50	4.80	1.20	2.75	7.50
-	-	-	-	151151-1003	10	YES	3	2	-	-	12.00	9.30	1.20	2.75	7.50

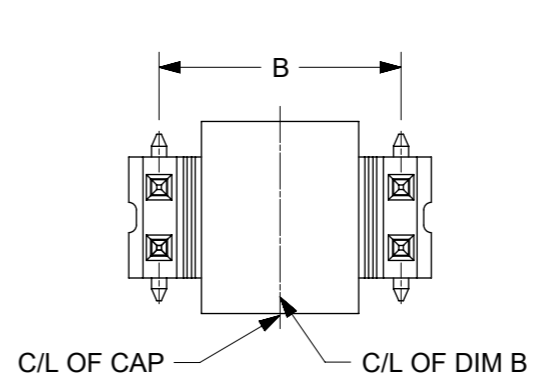


RECOMMENDED PCB LAYOUT: SOLDER SIDE

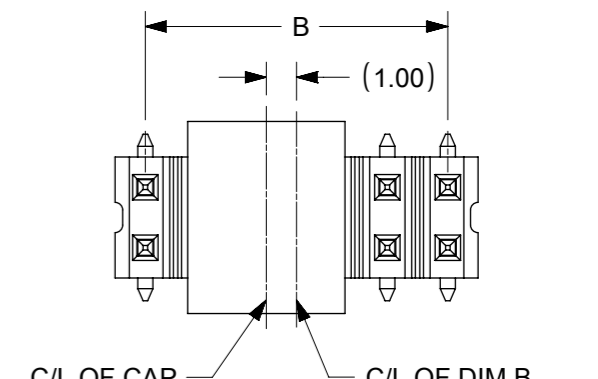
CAP POSITION ILLUSTRATION FOR REFERENCE

FOR ILLUSTRATION 10CKT AS SHOWN

FOR ILLUSTRATION 12CKT AS SHOWN



C/L OF DIM B = C/L OF CAP FOR ODD CKT COLUMN



C/L OF DIM B IS OFFSET WITH C/L OF CAP FOR EVEN CKT COLUMN

SYMBOLS	THIS DRAWING CONTAINS INFORMATION THAT IS PROPRIETARY TO MOLEX ELECTRONIC TECHNOLOGIES, LLC AND SHOULD NOT BE USED WITHOUT WRITTEN PERMISSION		CURRENT REV DESC:		molex
	DIMENSION UNITS	SCALE			
▽ = 0	mm	NTS			CUSTOM HEADER 2.00MM PTICH DUAL ROW SINGLE WAFER SMT
▽ = 0	GENERAL TOLERANCES (UNLESS SPECIFIED)				
▽ = 0			EC NO: 715506		PRODUCT CUSTOMER DRAWING
▽ = 0	4 PLACES ±	±	DRWN: DANUSA	2022/05/16	
▽ = 0	3 PLACES ±	±	CHK'D: MRAMAKRISHNA	2022/08/11	DOCUMENT NUMBER: SD-151151-0001
▽ = 0	2 PLACES ±	0.2 ±	APPR: MRAMAKRISHNA	2022/08/11	
▽ = 0	1 PLACE ±	±	INITIAL REVISION:		DOC TYPE: PSD
▽ = 0	0 PLACES ±	±	DRWN: DRWN BY	XXXX/XX/XX	DOC PART: 001
▽ = 0	ANGULAR TOL ±	3.0°	APPR: APPR BY	XXXX/XX/XX	REVISION: A3
▽ = 0	DRAFT WHERE APPLICABLE MUST REMAIN WITHIN DIMENSIONS	THIRD ANGLE PROJECTION	DRAWING: A3-SIZE	SERIES: 151151	MATERIAL NUMBER: GENERAL MARKET
▽ = 0					CUSTOMER: GENERAL MARKET
					SHEET NUMBER: 3 OF 3