

Screw plug - SACC-M16-SEALING PLUG SET - 1453368


Please be informed that the data shown in this PDF Document is generated from our Online Catalog. Please find the complete data in the user's documentation. Our General Terms of Use for Downloads are valid (<http://phoenixcontact.com/download>)



M16 screw plug for unused M12 housing cutouts

RoHS

Key Commercial Data

Packing unit	10 pc
GTIN	 4 046356 550932
GTIN	4046356550932

Technical data

Ambient conditions

Degree of protection	IP67, when screwed together
----------------------	-----------------------------

General

Mounting type	Rear mounting M16 x 1.5
---------------	-------------------------

Material

Material of grip body	CuZn/Ni
Sealing material	NBR

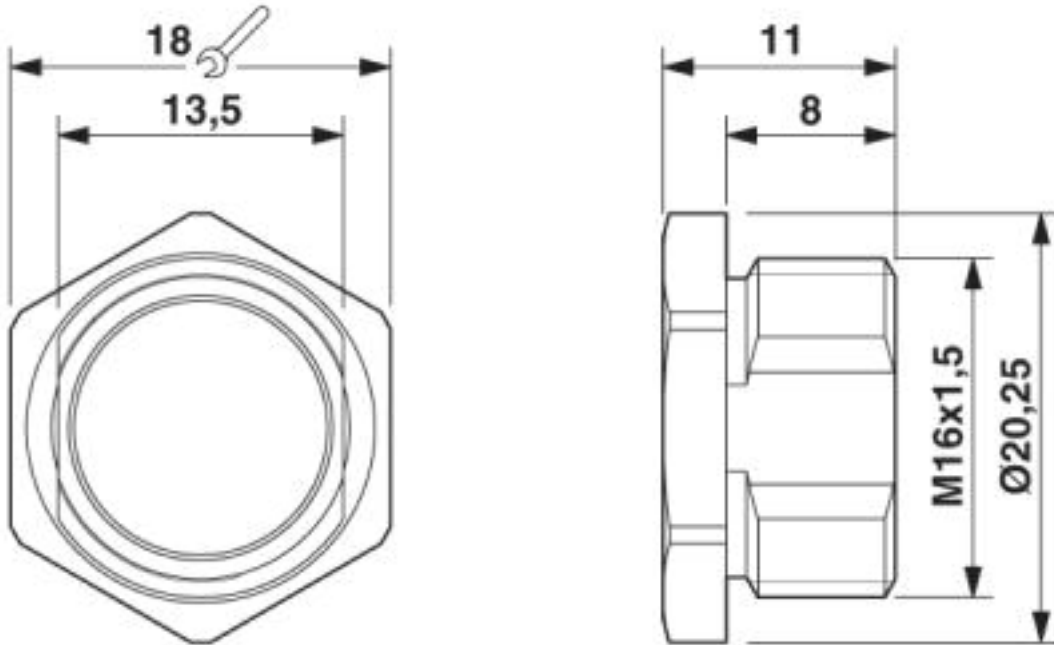
Environmental Product Compliance

	Lead 7439-92-1
China RoHS	Environmentally Friendly Use Period = 50
	For details about hazardous substances go to tab "Downloads", Category "Manufacturer's declaration"

Drawings

Screw plug - SACC-M16-SEALING PLUG SET - 1453368

Dimensional drawing



Front and side view with dimensions

Approvals

Approvals

Approvals

EAC

Ex Approvals

Approval details

EAC		B.01742
-----	--	---------



Phoenix Contact 2019 © - all rights reserved
<http://www.phoenixcontact.com>

PHOENIX CONTACT GmbH & Co. KG
Flachmarktstr. 8
32825 Blomberg
Germany
Tel. +49 5235 300
Fax +49 5235 3 41200
<http://www.phoenixcontact.com>