

60mm sq.

San Ace 60



General Specifications

- Material Frame: Plastics (Flammability: UL94V-0),
Impeller: Plastics (Flammability: UL94V-0)
- Expected Life Refer to specifications (L10: Survival rate: 90% at 60°C ,
rated voltage, and continuously run in a free air state)
- Lead Wire ⊕red ⊖black (Sensor) yellow (Control) brown
- Storage Temperature -30°C to +70°C (Non-condensing)

60×60×38mm (Mass : 130g) **9GA type** **Low Power Consumption Fan**



Specifications

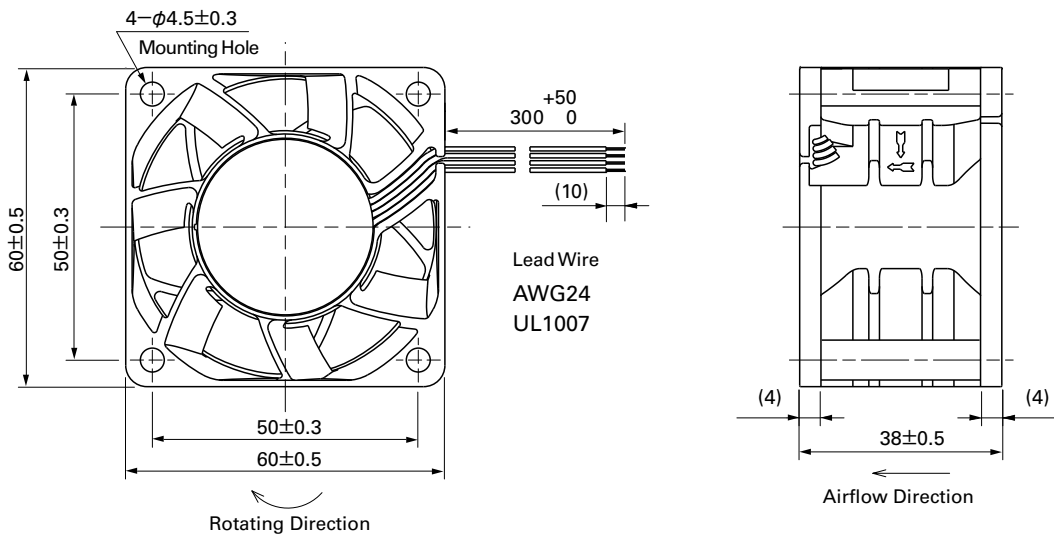
The following nos. **have PWM controls, pulse sensors, and ribs.** For ribless, append "1" to the model no.

Model No.	Rated Voltage [V]	Operating Voltage Range [V]	PWM duty cycle ^{*)} [%]	Rated Current [A]	Rated Input [W]	Rated Speed [min ⁻¹]	Max. Airflow [m ³ /min] [CFM]	Max. Static Pressure [Pa] [InchH ₂ O]	SPL [dB(A)]	Operating Temperature [°C]	Expected Life [h]
9GA0612P1J03	12	10.8 to 12.6	100	1.50	18.00	17,500	1.75 62	820 3.3	63	-20 to +60	40,000/60°C (70,000/40°C)
			20	0.10	1.20	4,000	0.40 14	43 0.17	24		
9GA0612P1K03		10.8 to 13.2	100	0.95	11.40	14,800	1.50 53	600 2.4	59	-20 to +70	
			20	0.10	1.20	4,000	0.40 14	43 0.17	24		
9GA0612P1H03		10.8 to 13.2	100	0.55	6.60	11,500	1.15 40	375 1.5	52	-20 to +60	
			20	0.06	0.72	2,600	0.27 9.5	20 0.08	19		
9GA0612P1K60	10.8 to 13.2	100	0.95	11.40	14,800	1.50 53	675 2.7	59	-20 to +60		
		0	0.05	0.60	1,480	0.134 4.7	8.3 0.03	16			
9GA0624P1J03	24	21.6 to 25.2	100	0.75	18.00	17,500	1.75 62	820 3.3	63	-20 to +60	
			20	0.10	2.40	6,200	0.63 22	104 0.42	35		
9GA0624P1K03		21.6 to 26.4	100	0.5	12	14,800	1.5 53.0	600 2.4	59	-20 to +70	
			20	0.06	1.44	5,000	0.5 17.7	70 0.28	28		

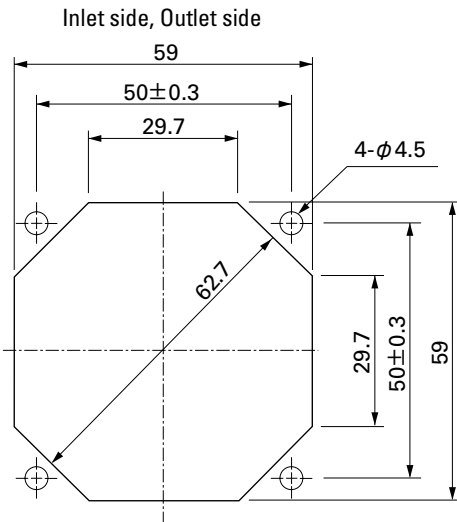
Note: 9GA0612P1J03, 9GA0612P1K03, 9GA0612P1H03, 9GA0624P1J03, 9GA0624P1K03 does not rotate when PWM duty cycle is 0%. *PWM Frequency : 25kHz

Other sensor specifications are available as options. Please refer to the index (p. 505).

Dimensions (unit: mm) (With ribs)



Reference Dimensions of Mounting Holes and Vent Opening (unit: mm)

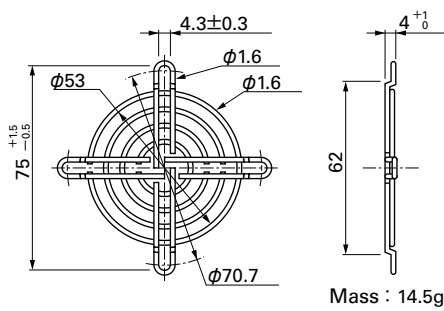


Options (unit: mm)

Finger Guards

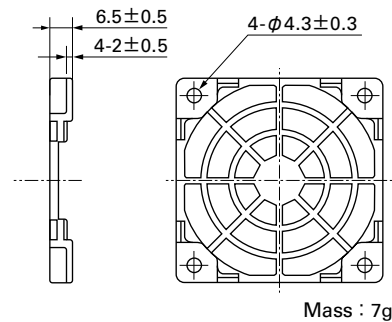
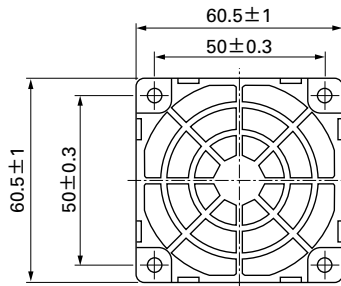
Model : 109-139E Surface treatment : Nickel-chrome plating (silver) Color : 109-139H : Cation electropainting (black)

Inlet side, Outlet side



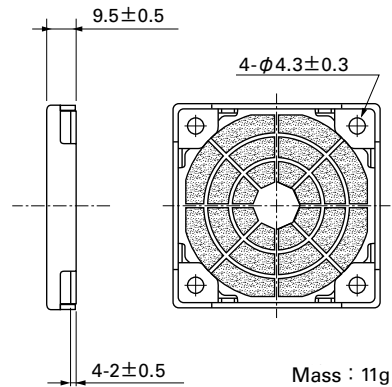
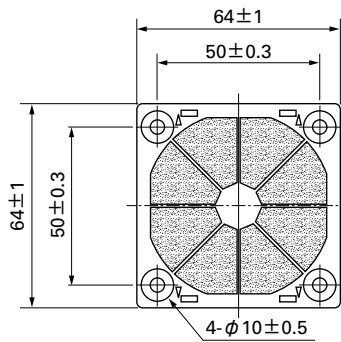
Resin Finger Guards

Model : 109-1003G



Resin Filter Kits

Model : 109-1003F13 (13PPI), 109-1003F20 (20PPI) : 109-1003F30 (30PPI), 109-1003F40 (40PPI)



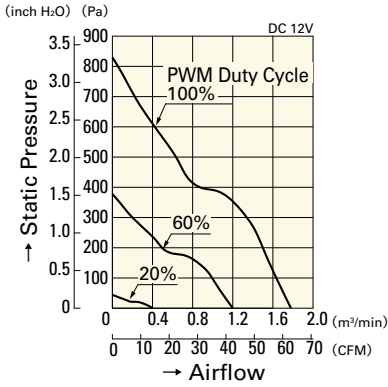
60mm sq.

San Ace 60

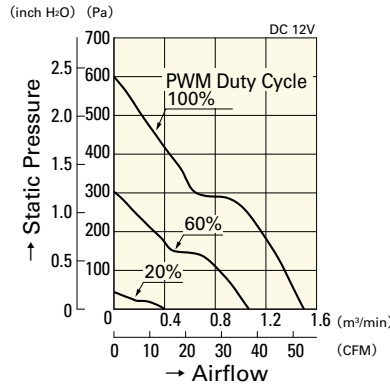
60×60×38mm [Mass : 130g]

Airflow - Static Pressure Characteristics

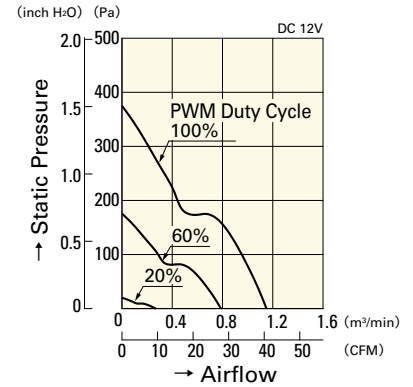
PWM Duty Cycle



9GA0612P1J03

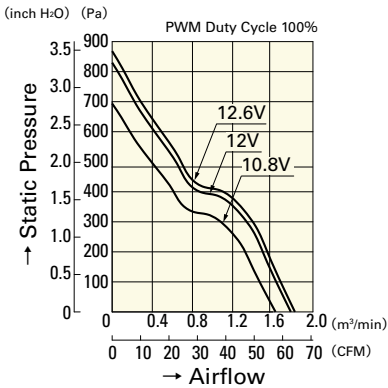


9GA0612P1K03

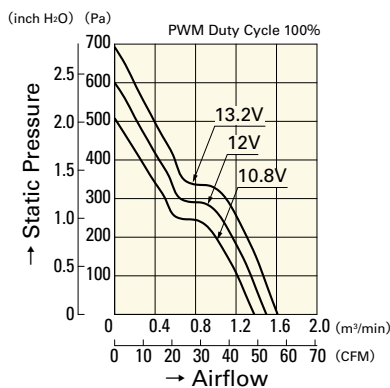


9GA0612P1H03

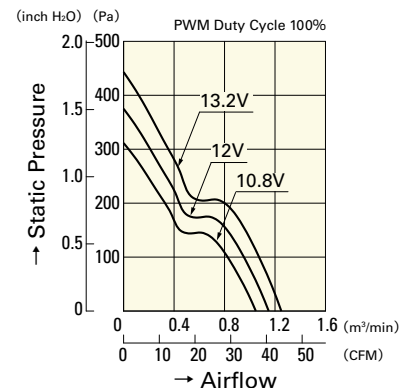
Operating Voltage Range



9GA0612P1J03

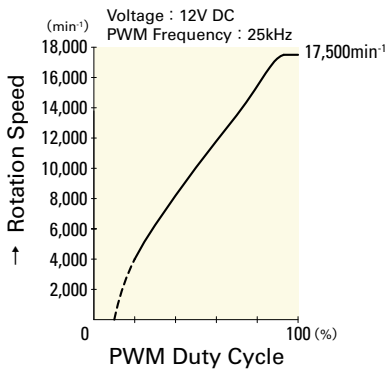


9GA0612P1K03

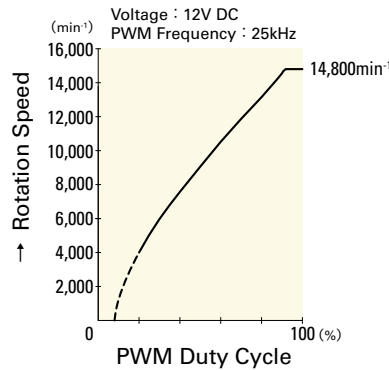


9GA0612P1H03

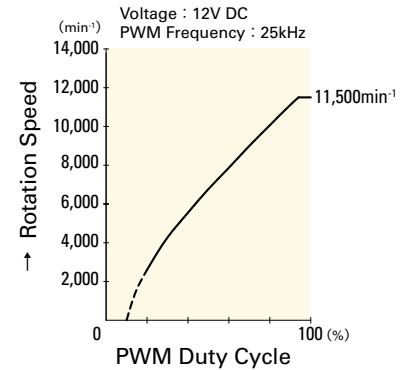
PWM Duty - Speed Characteristics Example



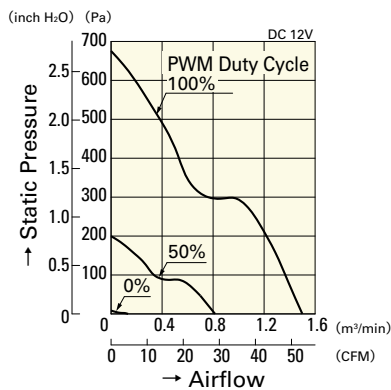
9GA0612P1J03



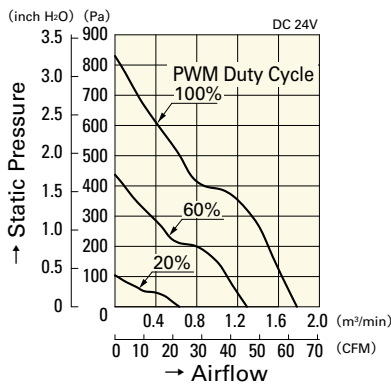
9GA0612P1K03



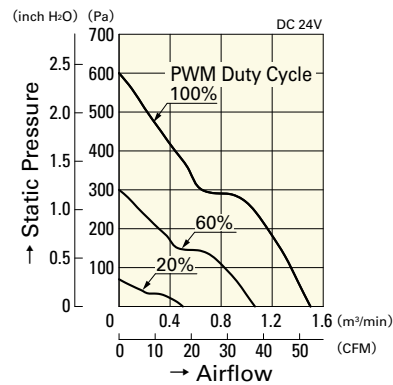
9GA0612P1H03



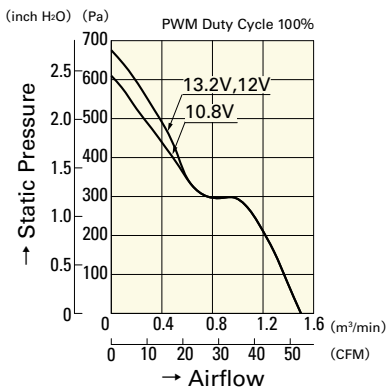
9GA0612P1K60



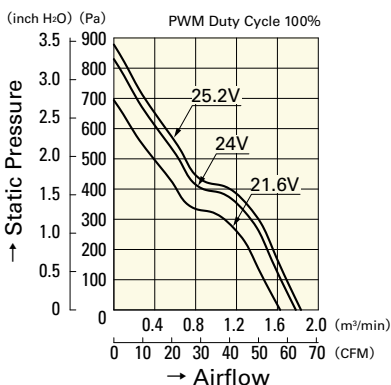
9GA0624P1J03



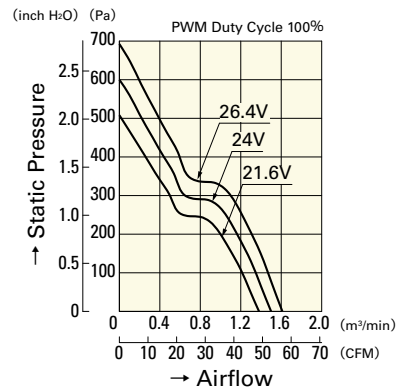
9GA0624P1K03



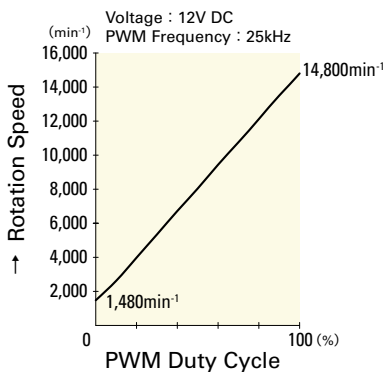
9GA0612P1K60



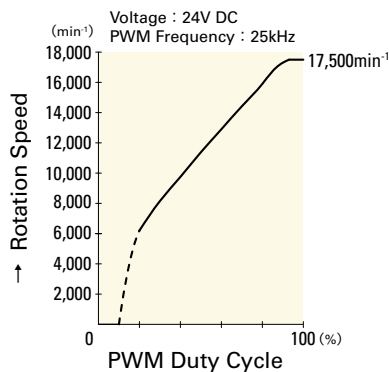
9GA0624P1J03



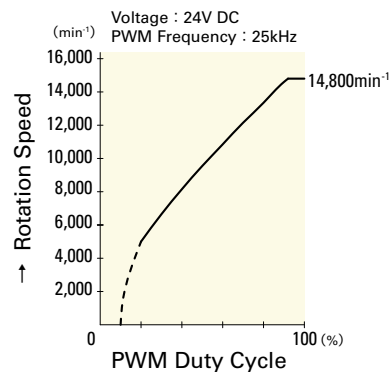
9GA0624P1K03



9GA0612P1K60



9GA0624P1J03



9GA0624P1K03