



PRODUCT DATASHEET

Tina series

last update 19/6/2012

DETAILS

Product Number	CP12674_TINA2-W
Family	Tina
Type	Assembly
Color	black
Diameter	16,1 mm
Height	9,65 mm
Style	round
Optic Material	PMMA
Holder Material	
Fastening	glue
Status	production ready
ROHS Compliant	Yes
Date Updated	19/06/2012



OPTICAL PROPERTIES

LED	Viewing Angle	Light Beam	Efficiency	cd/lm	Connector
XB-D	39 deg	Wide	81 %	1.800	-

D

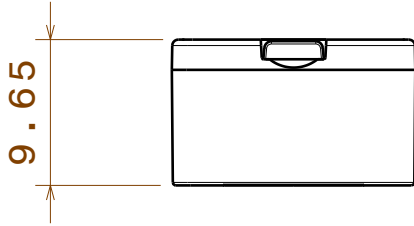
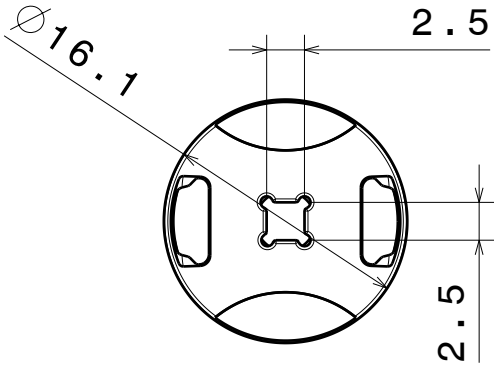
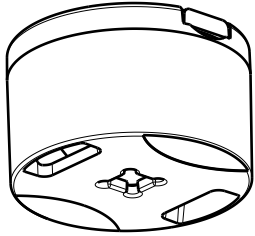
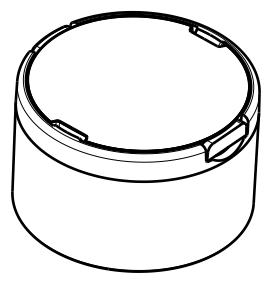
C

B

A

4

4



3

3

2

2

Materials:
 lens PMMA
 holder PC, black

Fastening to application:
 Glue

Tolerances for dimensions:
 0-20mm tolerance value +/-0.1mm

1

1

This drawing is our property.
 It can't be reproduced
 or communicated without
 our written agreement.



Ledil Oy
 Salorankatu 10
 FIN 24240 SALO
 Finland

DRAWING TITLE
 Datasheet Tina2 XB assy

DRAWN BY
pv
DATE
19.03.2012

CHECKED BY
sn
DATE
19.03.2012

DESIGNED BY
pv
DATE
12.03.2012

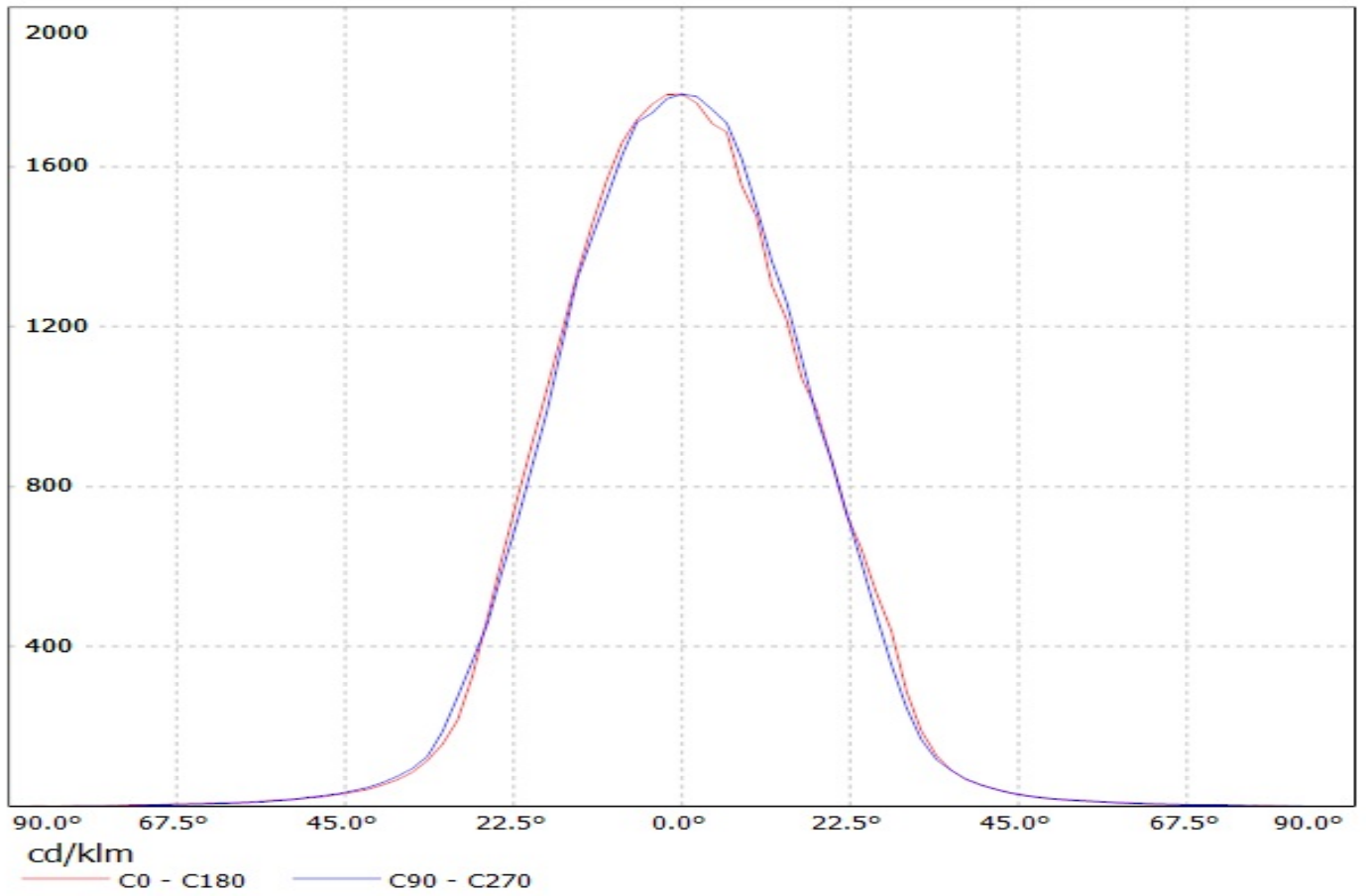
SIZE A4 **DRAWING NUMBER** - **REV** 1

SCALE 2:1 **WEIGHT (g)** **SHEET** 1/1

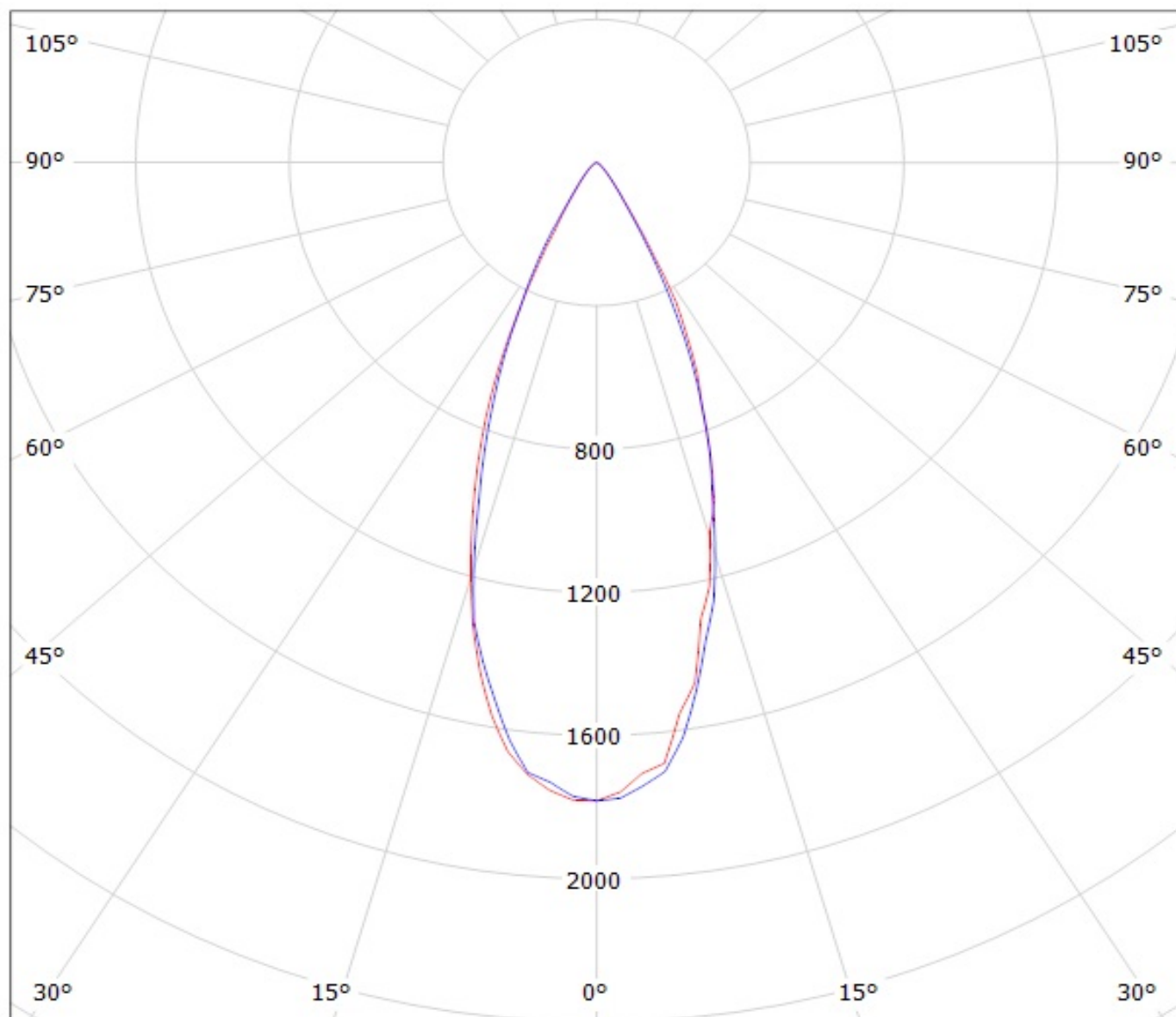
D

A

Luminaire: Ledil Oy CP12674_TINA2-W (Cree XB-D 94lm @ 250mA) Efficiency=81%
Lamps: 1 x Cree XB-D 94lm @ 250mA



Luminaire: Ledil Oy CP12674_TINA2-W (Cree XB-D 94lm @ 250mA) Efficiency=81%
Lamps: 1 x Cree XB-D 94lm @ 250mA



cd/klm

— C0 - C180

— C90 - C270

NOTE: The typical divergence will be changed by different color, chip size and chip position tolerance. The typical total divergence is the full angle measured where the luminous intensity is half of the peak value.