

4

3

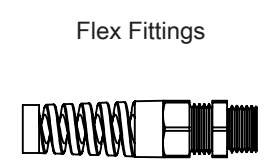
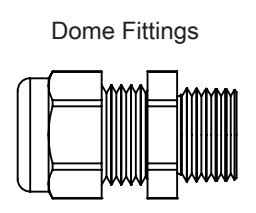
2

1

PART NUMBERS

CABLE RANGE

DIMENSIONS INCHES (MM)



THREAD TYPE AND SIZE For thread specs see page 29

A Clearance Hole +.010" / 0 +.25 mm

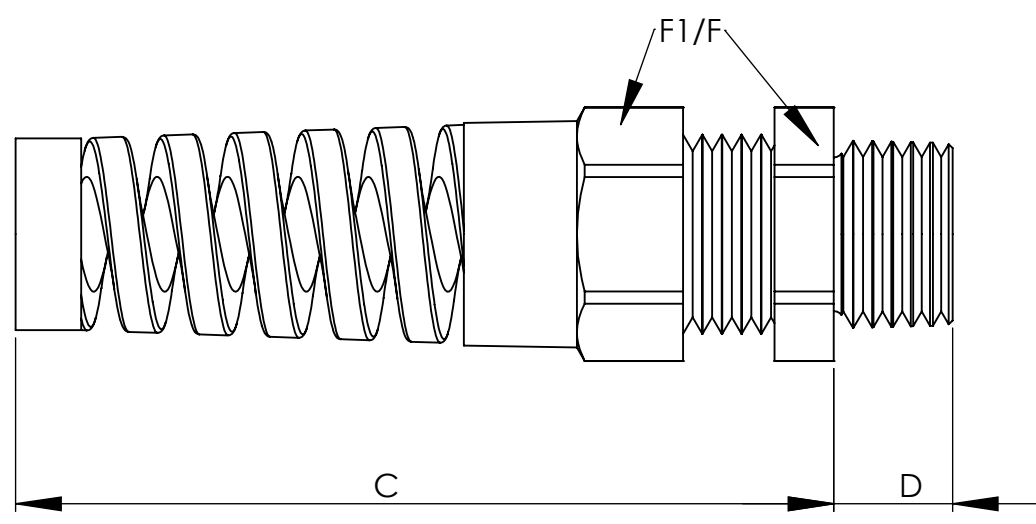
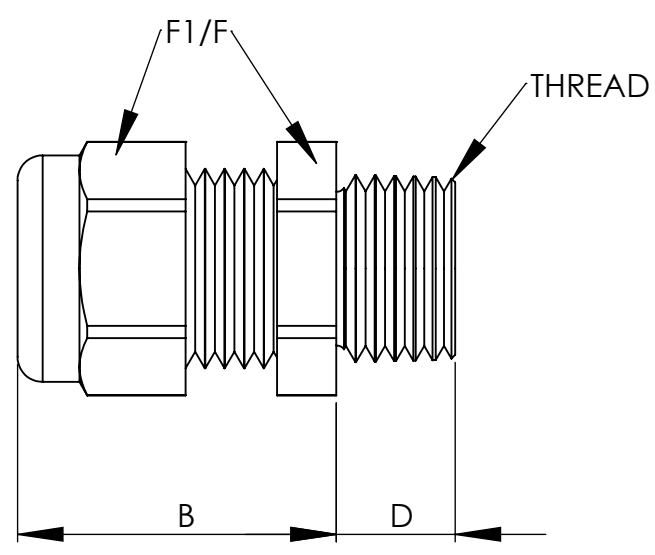
B Body Length Dome

C Body Length Flex

D Thread Length

F1/F Wrenching Flats

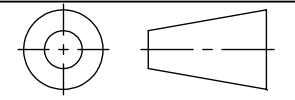
Dome Fittings		Flex Fittings		Cable Range (inches (mm))	Thread Type and Size	A Clearance Hole	B Body Length	C Body Length	D Thread Length	F1/F Wrenching Flats
Black	Gray	Black	Gray							
CD07AA-BK CD07AR-BK	CD07AA-GY CD07AR-GY	CF07AA-BK CF07AR-BK	CF07AA-GY CF07AR-GY	.11 - .26 (3 - 6.5) .08 - .20 (2 - 5)	PG 7 1/4" NPT	.49 (12.5)	.83 (21)	2.13 (54)	.31 (8)	.59 (15)
CD09AA-BK CD09AR-BK	CD09AA-GY CD09AR-GY	CF09AA-BK CF09AR-BK	CF09AA-GY CF09AR-GY	.16 - .31 (4 - 8) .08 - .24 (2 - 6)	PG 9	.60 (15.2)	.87 (22)	2.48 (63)	.31 (8)	.75 (19)
CD09NA-BK CD09NR-BK	CD09NA-GY CD09NR-GY	CF09NA-BK CF09NR-BK	CF09NA-GY CF09NR-GY	.16 - .31 (4 - 8) .08 - .24 (2 - 6)	3/8" NPT	.68 (17.2)	.87 (22)	2.48 (63)	.59 (15)	.87(22) / .75(19) .87(22) / .75(19)
CD11AA-BK CD11AR-BK	CD11AA-GY CD11AR-GY	CF11AA-BK CF11AR-BK	CF11AA-GY CF11AR-GY	.20 - .39 (5 - 10) .11 - .27 (3 - 7)	PG 11	.73 (18.5)	.98 (25)	3.07 (78)	.31 (8)	.87 (22)
CD13AA-BK CD13AR-BK	CD13AA-GY CD13AR-GY	CF13AA-BK CF13AR-BK	CF13AA-GY CF13AR-GY	.24 - .47 (6 - 12) .20 - .35 (5 - 9)	PG 13.5	.80 (20.3)	1.06 (27)	3.54 (90)	.35 (9)	.94 (24)
CD13NA-BK CD13NR-BK	CD13NA-GY CD13NR-GY	CF13NA-BK CF13NR-BK	CF13NA-GY CF13NR-GY	.24 - .47 (6 - 12) .20 - .35 (5 - 9)	1/2" NPT	.83 (21.1)	1.06 (27)	3.54 (90)	.51 (13)	.94 (24)
CD16NA-BK CD16NR-BK	CD16NA-GY CD16NR-GY	CF16NA-BK CF16NR-BK	CF16NA-GY CF16NR-GY	.39 - .55 (10 - 14) .27 - .47 (7 - 12)	1/2" NPT	.83 (21.1)	1.10 (28)	3.94 (100)	.51 (13)	1.06 (27)
CD16AA-BK CD16AR-BK	CD16AA-GY CD16AR-GY	CF16AA-BK CF16AR-BK	CF16AA-GY CF16AR-GY	.39 - .55 (10 - 14) .27 - .47 (7 - 12)	PG 16	.88 (22.3)	1.10 (28)	3.94 (100)	.39 (10)	1.06 (27)
CD21AA-BK CD21AR-BK	CD21AA-GY CD21AR-GY	CF21AA-BK CF21AR-BK	CF21AA-GY CF21AR-GY	.51 - .71 (13 - 18) .35 - .63 (9 - 16)	PG 21	1.12 (28.4)	1.22 (31)	4.49 (114)	.43 (11)	1.30 (33)
CD21NA-BK CD21NR-BK	CD21NA-GY CD21NR-GY	CF21NA-BK CF21NR-BK	CF21NA-GY CF21NR-GY	.51 - .71 (13 - 18) .35 - .63 (9 - 16)	3/4" NPT	1.05 (26.7)	1.22 (31)	4.49 (114)	.55 (14)	1.30 (33)
CD29AA-BK CD29AR-BK	CD29AA-GY CD29AR-GY			.71 - .98 (18 - 25) .51 - .79 (13 - 20)	PG 29	1.47 (37.3)	1.53 (39)	--	.43 (11)	1.65 (42)
CD29NA-BK CD29NR-BK	CD29NA-GY CD29NR-GY			.71 - .98 (18 - 25) .51 - .79 (13 - 20)	1" NPT	1.35 (34.3)	1.53 (39)	--	.75 (19)	1.65 (42)
CD29LA-BK CD29LR-BK	CD29LA-GY CD29LR-GY			.71 - .98 (18 - 25) .51 - .79 (13 - 20)	1-1/4" NPT	1.65 (41.9)	1.53 (39)	--	.63 (16)	1.81(46)/1.65(42) 1.81(46)/1.65(42)
CD36AA-BK CD36AR-BK	CD36AA-GY CD36AR-GY			.87 - 1.26 (22 - 32) .79 - 1.02 (20 - 26)	PG 36	1.85 (47.0)	1.89 (48)	--	.51 (13)	2.09 (53)
CD36NA-BK CD36NR-BK	CD36NA-GY CD36NR-GY			.87 - 1.26 (22 - 32) .79 - 1.02 (20 - 26)	1-1/2" NPT	1.92 (48.7)	1.89 (48)	--	.79 (20)	2.09 (53)
CD42AA-BK CD42AR-BK	CD42AA-GY CD42AR-GY			1.26 - 1.50 (32 - 38) .98 - 1.22 (25 - 31)	PG 42	2.13 (54.1)	1.93 (49)	--	.51 (13)	2.36 (60)
CD48AA-BK CD48AR-BK	CD48AA-GY CD48AR-GY			1.46 - 1.73 (37 - 44) 1.14 - 1.38 (29 - 35)	PG48	2.34 (59.4)	1.93 (49)	--	.55 (14)	2.36 (60)



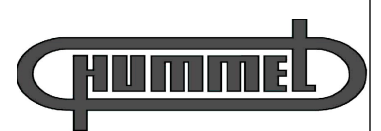
NOTES:

- 1) GENERAL DIMENSIONS DRAWINGS.
- 2) DIMENSIONS [ ] ARE IN INCHES.
- 3) DIMENSIONS NOTED ARE FOR REFERENCE ONLY.

Third angle projection



7374 S. EAGLE STREET  
 CENTENNIAL, CO 80112-4221 USA  
 TEL: +1-303-699-1135  
 TOLL FREE: +1-800-456-9012  
 E MAIL: [info@sealconusa.com](mailto:info@sealconusa.com)  
 WEBSITE: [www.sealconusa.com](http://www.sealconusa.com)



4

3

2