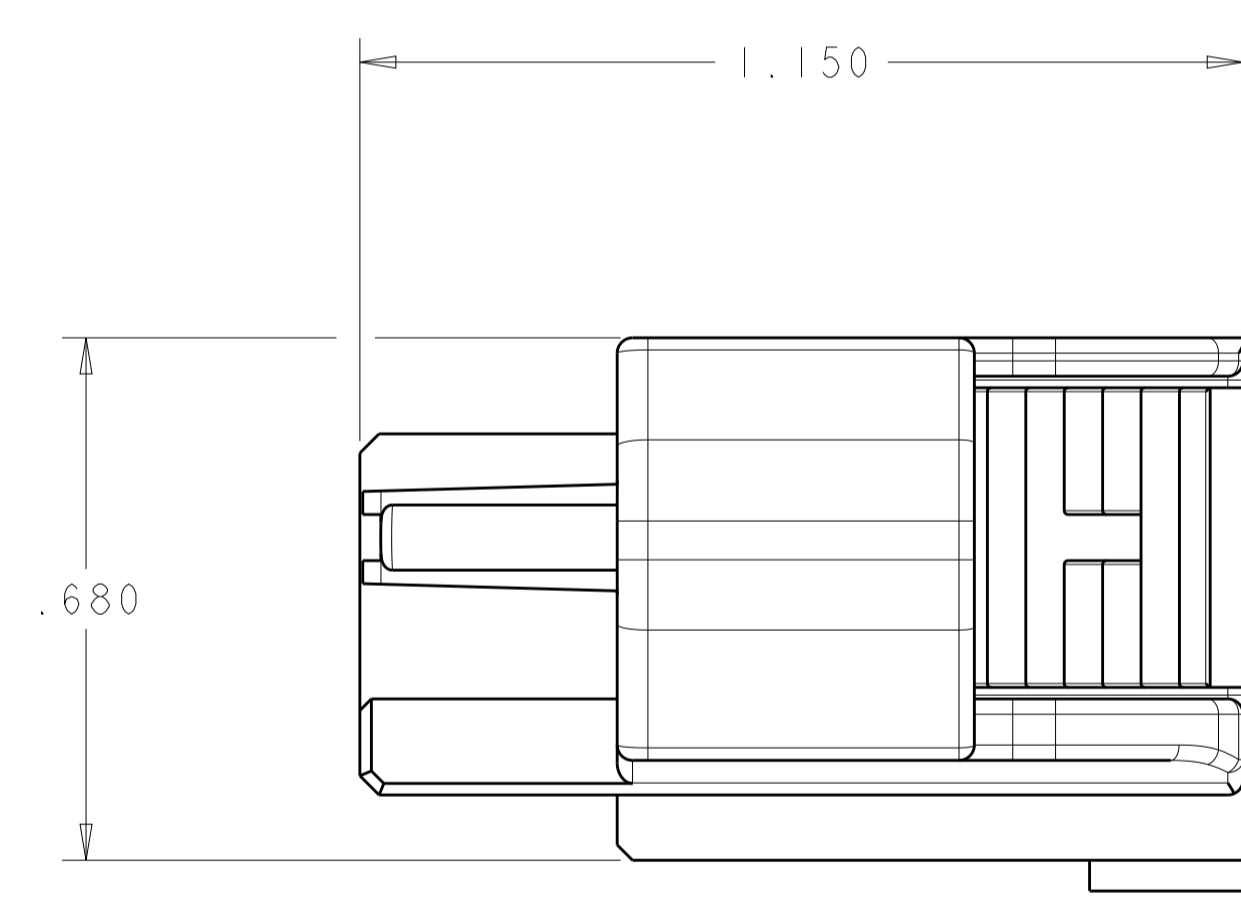
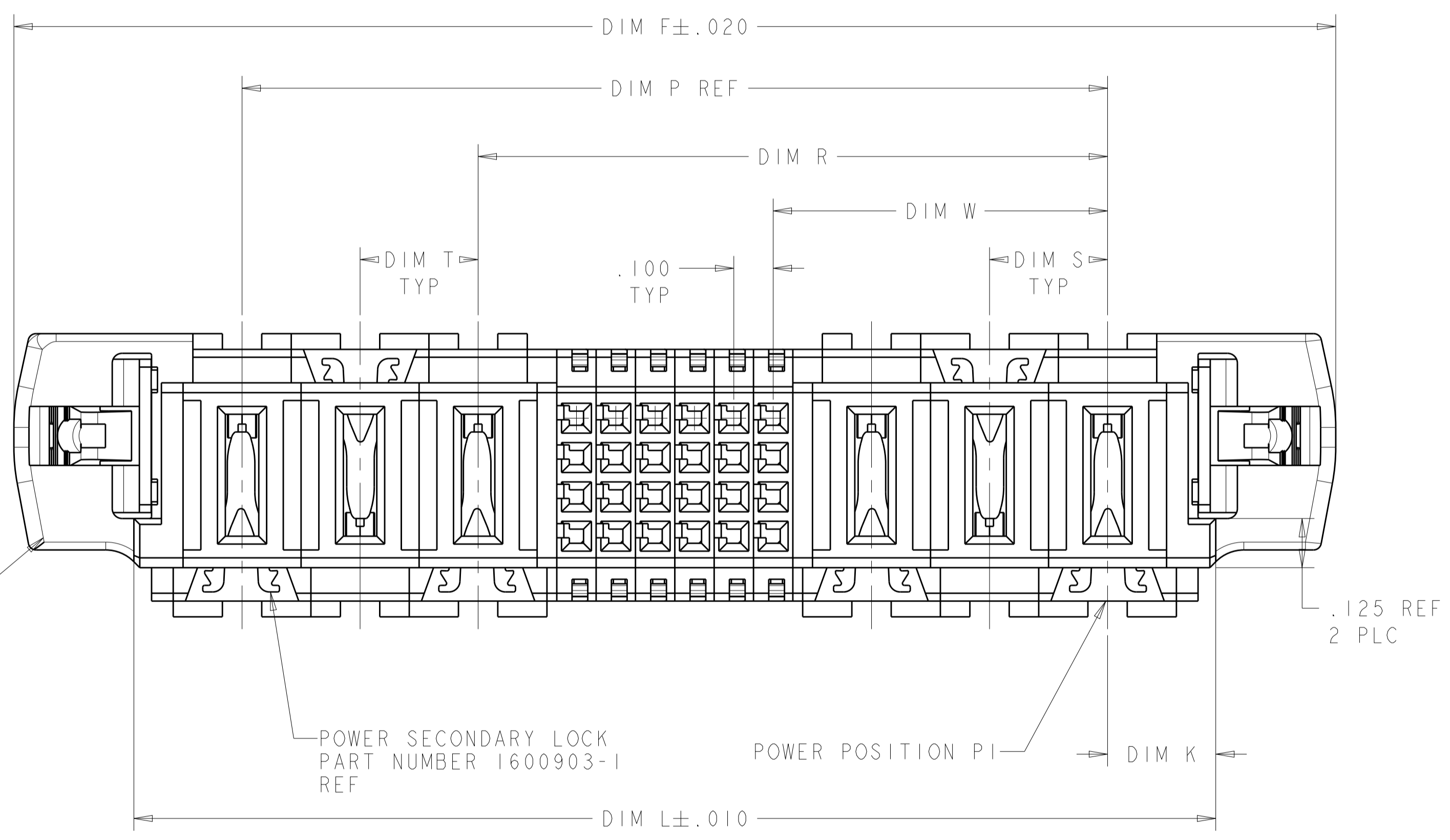
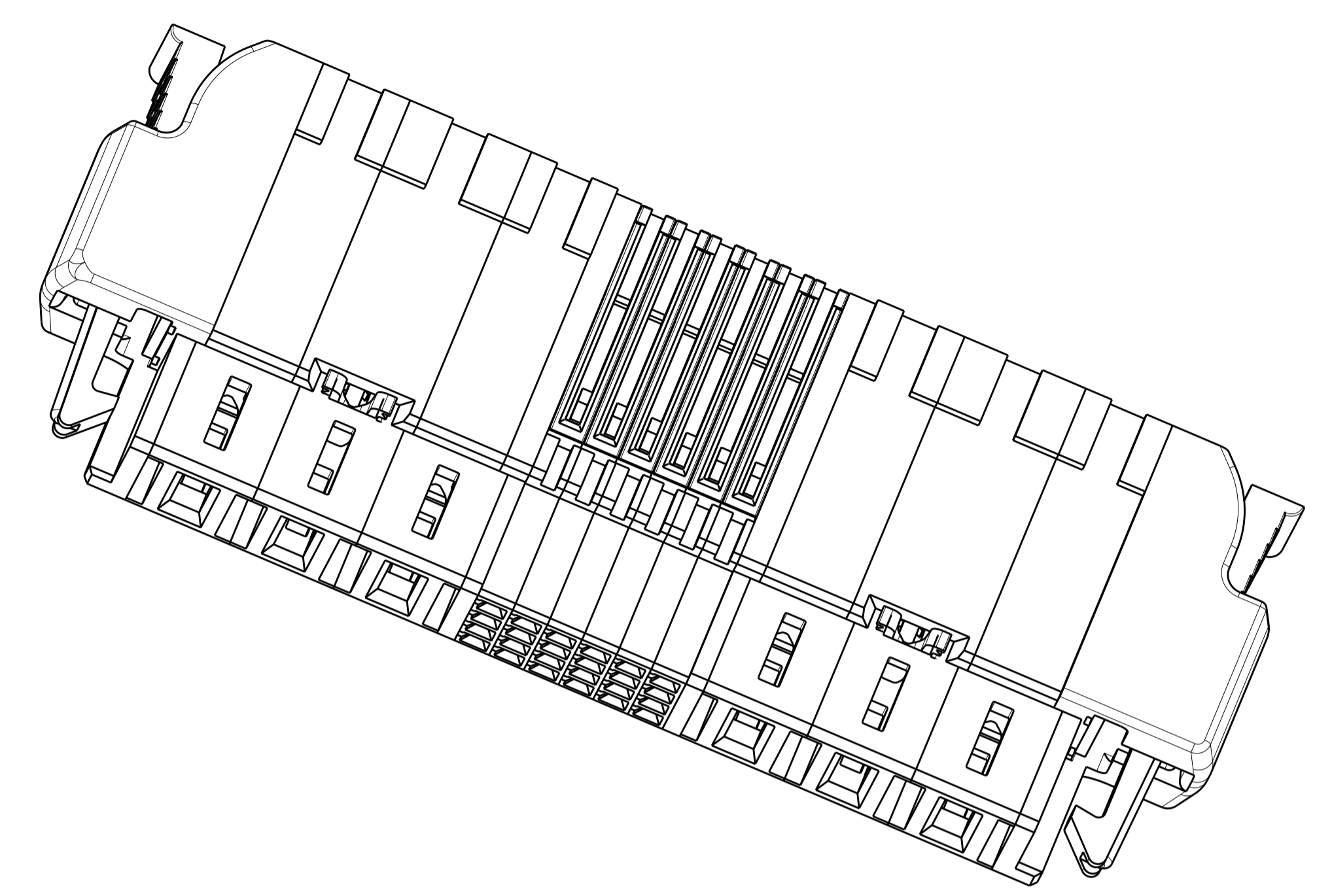
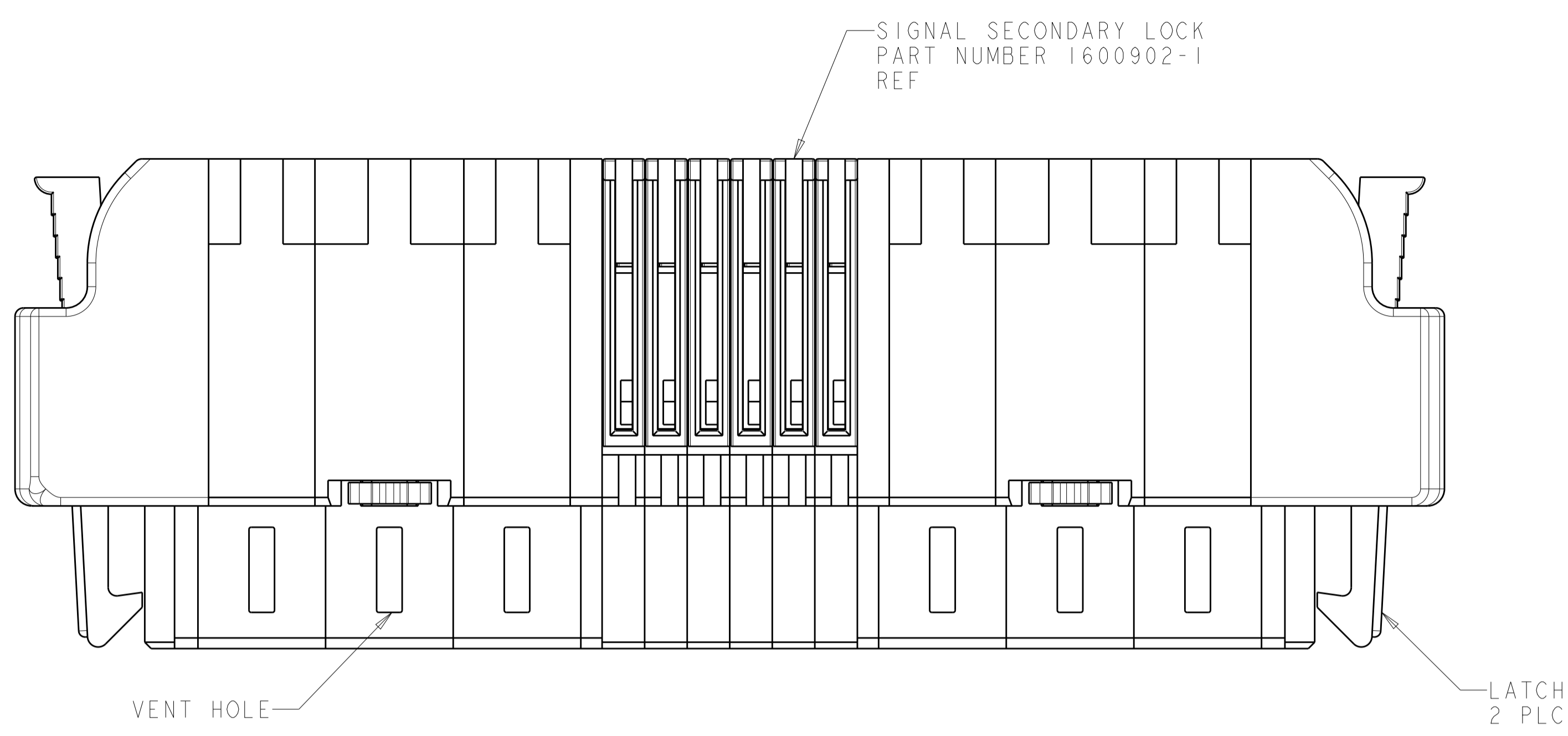


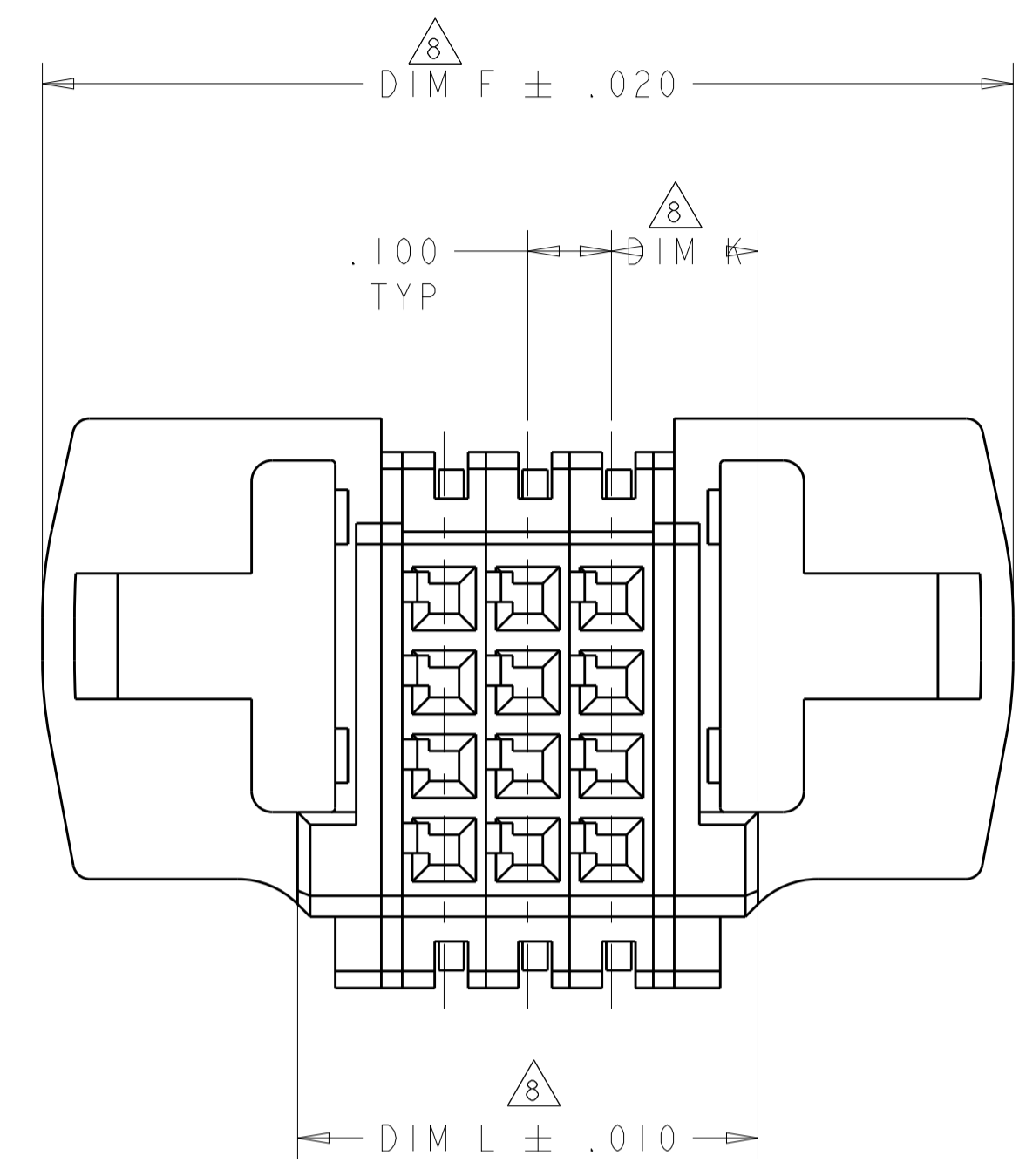
LOC	DIST	REVISIONS			
P	LTN	DESCRIPTION	DATE	DWN	APVD
ES	00				
D1		ADDED NEW DASH NUMBER 4-0	13OCT2016	CZ	SZ
D2		MODIFY 4-0 TO 80S	21OCT2016	CZ	SZ
D3		ADDED NEW DASH NUMBER 4-1 AND 4-2	07NOV2016	CZ	SZ
D4		ADDED NEW DASH NUMBER 4-3	19NOV2016	CZ	SZ



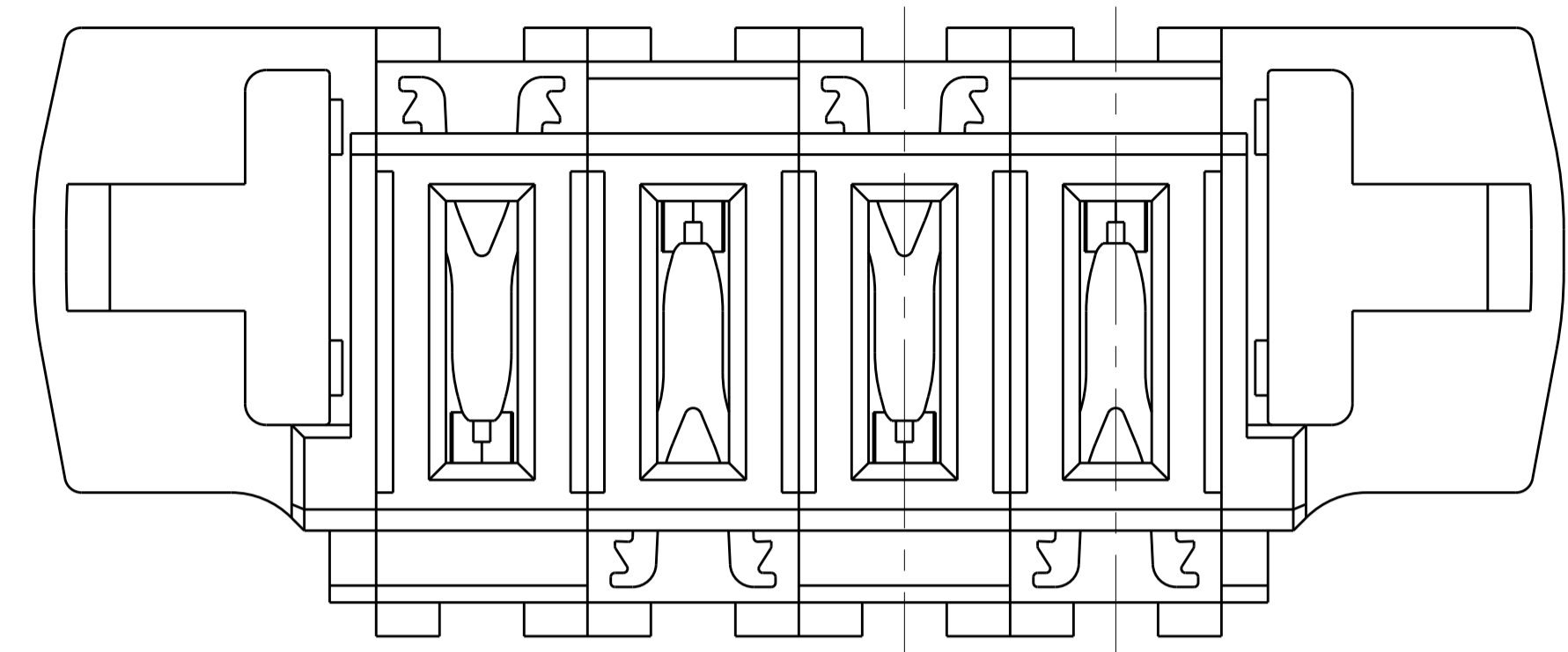
- ⚠ DIM S IS CENTERLINE SPACING OF POWER MODULE ON RIGHT SIDE OF HOUSING.
- ⚠ DIM T IS CENTERLINE SPACING OF POWER MODULE ON LEFT SIDE OF HOUSING.
- ⚠ OPTIONAL CENTER MODULE
- ⚠ COMPANY TRADEMARK, PART NUMBER, AND DATE CODE TO BE MARKED IN APPROX AREA SHOWN. PARTS UNDER 2.00 LONG MAY BE MARKED ON BOTH SIDES.
- ⚠ THERMO PLASTIC, UL94 V-0, BLACK
- ⚠ VARIABLE DIMENSIONS SHOWN ON VIEW (SHEET 2).
- ⚠ NOT RELEASED FOR PRODUCTION.
- ⚠ DIMENSIONS FOR CONFIGURATION "S" PLEASE REFER TO SHEET 2.
- ⚠ DIMENSIONS FOR CONFIGURATION "P" PLEASE REFER TO SHEET 2.
- ⚠ DIMENSIONS FOR CONFIGURATION "LP/S/LP" PLEASE REFER TO SHEET 2.
- ⚠ DIMENSIONS FOR CONFIGURATION "S/P" PLEASE REFER TO SHEET 2.
- ⚠ DIMENSIONS FOR CONFIGURATION "LP" PLEASE REFER TO SHEET 2.

THIS DRAWING IS A CONTROLLED DOCUMENT.		DWN C. ZHOU CHK S. ZHAO	TAMAY2012	TE Connectivity NAME SQUEEZE TO RELEASE CABLE RECEPTACLE ASSEMBLY W/ LATCHES AND KEY, MULTI-BEAM XLE	
DIMENSIONS: INCHES	TOLERANCES UNLESS OTHERWISE SPECIFIED:	APVD	PRODUCT SPEC 108-2157		
 0 PLC ±. 1 PLC ±.01 2 PLC ±.005 3 PLC ±.005 4 PLC ±.0020 ANGLES ±.5° FINISH			SIZE 114-13112	RESTRICTED TO	
MATERIAL			WEIGHT	SCALE	
		Customer Drawing		SCALE 1:1 SHEET 1 OF 8 REV D4	

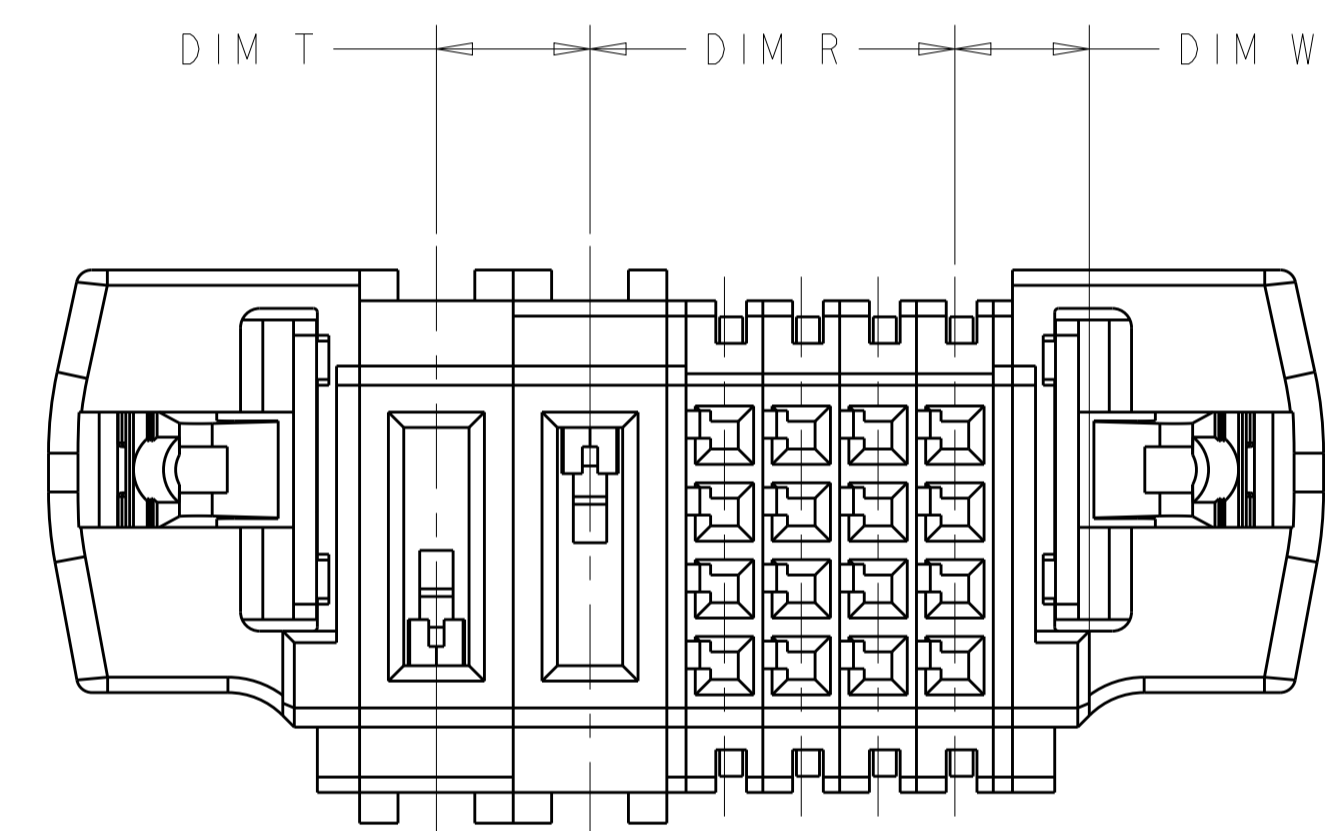
LOC	DIST	REVISIONS			
P	LTH	DESCRIPTION	DATE	DWN	APVD
-	-	SEE SHEET 1	-	-	-



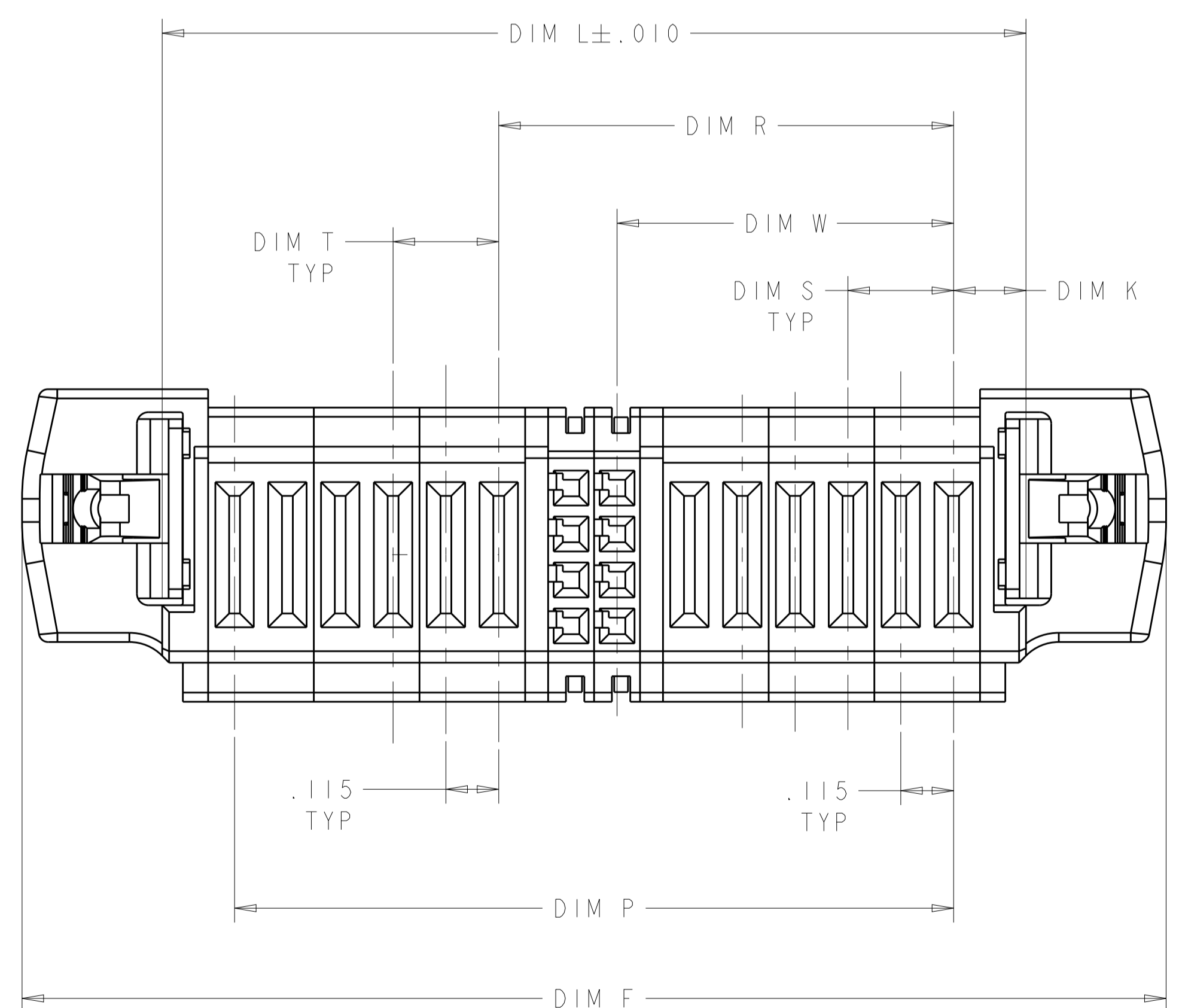
FOR CONFIGURATION "S"



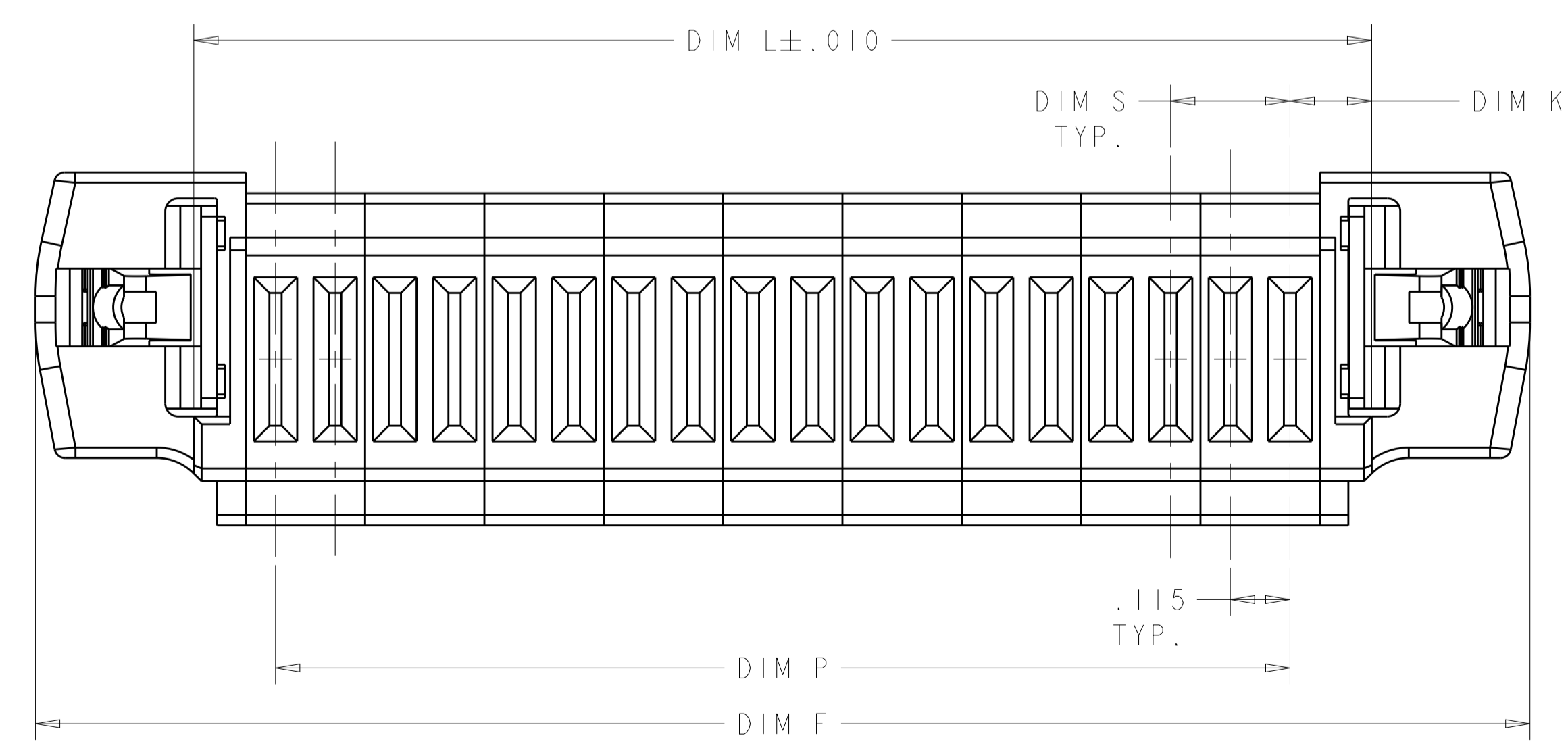
FOR CONFIGURATION "P"



FOR CONFIGURATION "S/P", OTHER DIMENSIONS PLEASE SEE SHEET 1




FOR CONFIGURATION "LP/S/LP"



FOR CONFIGURATION "LP"

(B2)

THIS DRAWING IS A CONTROLLED DOCUMENT.		DWN C. ZHOU	TAMAY2012	 TE Connectivity
DIMENSIONS: INCHES		CHK S. ZHAO	APVD	
TOLERANCES UNLESS OTHERWISE SPECIFIED:		PRODUCT SPEC		NAME SQUEEZE TO RELEASE CABLE RECEPTACLE ASSEMBLY W/ LATCHES AND KEY, MULTI-BEAM XLE
0 PLC ± .01		APPLICATION SPEC		
1 PLC ± .005		108-2157		RESTRICTED TO
2 PLC ± .002		114-13112		
3 PLC ± .002		WEIGHT		A100779C=1892820
4 PLC ± .002		Customer Drawing		
MATERIAL		SCALE 1:1		SHEET 2 OF 8
FINISH		REV D3		

LOC	DIST	REV	DATE	BY	APPV

LATCH	CENTER MODULE	DIM P	DIM W	DIM T	DIM S	DIM R	DIM L	DIM K	DIM F	DESCRIPTION	PART NUMBER
YES	NO	-	-	-	-	-	2.750	.175	3.360	100S Δ	4-1892820-3
YES	NO	1.050	-	-	-	.500	1.050	.275	1.660	IACP + 4S + IACP	4-1892820-2
YES	NO	1.150	.250	-	-	.600	1.150	.275	1.760	IACP + 8S + IACP	4-1892820-1
YES	NO	-	-	-	-	-	2.250	.175	2.860	80S Δ	4-1892820-0
YES	NO	-	.950	-	.350	-	1.375	.275	1.985	3ACP + 4S	3-1892820-9
YES	NO	-	1.150	-	.300	-	1.875	.275	2.485	4ACP + 16S	3-1892820-8
YES	NO	-	.175	.300	-	.450	1.200	-	1.810	12S + 2ACP	3-1892820-7
YES	NO	1.000	.250	-	-	1.000	1.550	.275	2.160	IACP + 24S + IACP	3-1892820-6
YES	NO	2.100	.850	.300	.300	1.500	2.650	.275	3.260	3ACP + 20S + 3ACP	3-1892820-5
YES	NO	1.800	.850	.300	.300	1.200	2.350	.275	2.960	3ACP + 8S + 3ACP	3-1892820-4
YES	NO	-	-	-	.250	-	1.700	.225	2.310	6P	3-1892820-3
YES	NO	-	-	-	.250	-	.950	.225	1.560	3P	3-1892820-2
YES	NO	2.600	1.150	.300	.300	1.700	3.150	.275	3.760	4ACP + 16S + 4ACP	3-1892820-1
YES	NO	1.400	.550	.300	.300	1.100	1.950	.275	2.560	2ACP + 16S + 2ACP	3-1892820-0
YES	NO	-	.2725	-	.115	-	.830	.1575	1.440	2LP + 12S	2-1892820-9
YES	NO	2.300	1.150	.300	.300	1.700	3.150	.275	3.760	4ACP + 16S + 4ACP	2-1892820-8
YES	NO	-	-	-	.300	-	1.150	.275	1.760	3ACP	2-1892820-7
YES	NO	-	-	-	.300	-	2.350	.275	2.960	7ACP	2-1892820-6
YES	NO	-	.550	-	.300	-	1.275	.275	1.885	2ACP + 16S	2-1892820-5
YES	NO	-	-	-	-	-	.650	.175	1.260	16S Δ	2-1892820-4
YES	NO	.115	-	-	-	-	.430	.1575	1.040	2LP	2-1892820-3
YES	NO	-	-	-	.350	-	2.550	.225	3.160	7P	2-1892820-2
YES	NO	2.620	DETAIL DIMENSIONS PLEASE SEE PART VIEW				3.020	.225	3.630	2P + 8S + 4LP + 8S + 4LP + 8S + 2P	2-1892820-1
YES	NO	-	-	-	.200	-	3.800	.200	4.410	18HDP	2-1892820-0
YES	NO	3.700	1.600	.200	.200	1.900	4.100	.200	4.710	8P + 8S + 10P	1-1892820-9
YES	NO	3.700	1.800	.200	.200	2.100	4.100	.200	4.710	9P + 8S + 9P	1-1892820-8
YES	NO	2.645	-	-	.230	-	2.960	.1575	3.570	24LP	1-1892820-7 Δ
YES	NO	2.185	-	-	.230	-	2.500	.1575	3.110	20LP	1-1892820-6 Δ
YES	NO	1.955	-	-	.230	-	2.270	.1575	2.880	18LP	1-1892820-4 Δ
YES	NO	-	-	-	.300	-	.850	.275	1.460	2ACP	1-1892820-3
YES	NO	-	-	-	.325	-	1.100	.225	1.710	3ACP	1-1892820-2
YES	NO	-	.175	.200	-	.475	1.050	-	1.660	16S + 2HDP	1-1892820-0 Δ
YES	NO	1.565	.7325	.230	.230	.990	1.880	.1575	2.490	6LP + 8S + 6LP	1892820-9
YES	NO	1.100	.550	.300	.300	1.100	1.950	.275	2.560	2ACP + 16S + 2ACP	1892820-8
YES	NO	.550	.225	-	-	.550	1.000	.225	1.610	1P + 8S + 1P	1892820-7
YES	NO	1.100	.400	.200	.200	.900	1.500	.200	2.110	2HDP + 16S + 2HDP	1892820-6
YES	NO	-	.550	-	.300	-	1.175	.275	1.785	2ACP + 12S	1892820-5
NO	NO	-	-	-	.250	-	1.200	.225	1.810	4P	1892820-3
YES	NO	.450	.175	-	-	.450	.850	.200	1.460	1P + 8S + 1P	1892820-2
YES	NO	-	-	-	-	-	1.825	.175	2.435	64S Δ	1892820-1

THIS DRAWING IS A CONTROLLED DOCUMENT. DATE: 14MAY2012

DESIGNER: C. ZHOU
 CHECKED: S. ZHAO
 APPROVED: -

DIMENSIONS: INCHES
 TOLERANCES UNLESS OTHERWISE SPECIFIED:
 0 PLC ±
 1 PLC ±0.01
 2 PLC ±0.005
 3 PLC ±0.0025
 4 PLC ±0.0020
 ANGLES ±0.0020

MATERIAL: -
 FINISH: -

PRODUCT SPEC: 108-2157
 APPLICATION SPEC: 114-13112

WEIGHT: -
 SCALE: 1:1

Customer Drawing

NAME: SQUEEZE TO RELEASE CABLE RECEPTACLE ASSEMBLY W/ LATCHES AND KEY, MULTI-BEAM XLE
 SIZE: A100779
 DRAWING NO: 1892820

RESTRICTED TO: -
 SHEET 3 OF 8
 REV D3

LOC	DIST	REVISIONS			
P	LTH	DESCRIPTION	DATE	OWN	APVD
-	-	SEE SHEET 1	-	-	-

PART NUMBER	ROWS	SIGNAL														
		16	15	14	13	12	11	10	9	8	7	6	5	4	3	2
1892820-1	D	E	E	E	E	E	E	E	E	E	E	E	E	E	E	E
	C	E	E	E	E	E	E	E	E	E	E	E	E	E	E	E
	B	E	E	E	E	E	E	E	E	E	E	E	E	E	E	E
	A	E	E	E	E	E	E	E	E	E	E	E	E	E	E	E
64S																

PART NUMBER	ROWS	SIGNAL			POWER	
		3	2	1	P2	P1
1892820-5	D	E	E	E	RM	RM
	C	E	E	E		
	B	E	E	E		
	A	E	E	E		
2ACP + 12S						

PART NUMBER	ROWS	POWER	SIGNAL		POWER
		P2	2	1	P1
1892820-2	D	RM	E	E	RM
	C		E	E	
	B		E	E	
	A		E	E	
IP + 8S + IP					

PART NUMBER	ROWS	POWER	SIGNAL		POWER
		P2	2	1	P1
1892820-7	D	RM	E	E	RM
	C		E	E	
	B		E	E	
	A		E	E	
IP + 8S + IP					

(A9)

PART NUMBER	ROWS	POWER			
		P4	P3	P2	P1
1892820-3	D	RM	RM	RM	RM
	C				
	B				
	A				
4P					

PART NUMBER	ROWS	POWER		SIGNAL				POWER	
		P4	P3	4	3	2	1	P2	P1
1892820-8	D	RM	RM	E	E	E	E	RM	RM
	C			E	E	E	E		
	B			E	E	E	E		
	A			E	E	E	E		
2ACP + 16S + 2ACP									

PART NUMBER	ROWS	POWER		SIGNAL				POWER	
		P4	P3	4	3	2	1	P2	P1
1892820-6	D	RM	RM	E	E	E	E	RM	RM
	C			E	E	E	E		
	B			E	E	E	E		
	A			E	E	E	E		
2HDP + 16S + 2HDP									

PART NUMBER	ROWS	POWER						SIGNAL		POWER					
		P12	P11	P10	P9	P8	P7	2	1	P6	P5	P4	P3	P2	P1
1892820-9	D	LP	LP	LP	LP	LP	LP	E	E	LP	LP	LP	LP	LP	LP
	C							E	E						
	B							E	E						
	A							E	E						
6LP + 8S + 6LP															

PART NUMBER	ROWS	POWER		SIGNAL			
		P2	P1	4	3	2	1
1-1892820-0	D	RA	RM	E	E	E	E
	C			E	E	E	E
	B			E	E	E	E
	A			E	E	E	E
16S + 2HDP							

LOW POWER CONTACT	LP
POWER CONTACT, STD	RM
POWER CONTACT, MFBL	RA
SIGNAL CONTACT	E
DESCRIPTION	CODE
CODES	

REFERENCE WIRE CHART AND CONTACTS		
HOUSING MODULE	CONTACT	INSULATION DIAMETER RANGE
.300 POWER	8 - 10 REF 1600960	[.176 - .272]
.250 POWER	8 - 10 REF 1600960	[.176 - .203]
	12 - 14 REF 1600961	[.156 - .176]
.200 POWER	12 - 14 REF 1600961	[.120 - .156]
.100 SIGNAL	22 - 26 REF 531216-5	[.036 - .069]

THIS DRAWING IS A CONTROLLED DOCUMENT. DIMENSIONS: INCHES. TOLERANCES UNLESS OTHERWISE SPECIFIED: 0 PLC ±.005, 1 PLC ±.01, 2 PLC ±.005, 3 PLC ±.005, 4 PLC ±.002. ANGLES ±.002. FINISH: -.

OWN: C. ZHOU, 14MAY2012. CHK: S. ZHAO. APVD: -.

PRODUCT SPEC: 108-2157. APPLICATION SPEC: 114-1312. WEIGHT: -. SCALE: 1:1. SHEET 4 OF 8. REV D3.

NAME: SQUEEZE TO RELEASE CABLE RECEPTACLE ASSEMBLY W/ LATCHES AND KEY, MULTI-BEAM XLE. SIZE: CAGE CODE DRAWING NO. RESTRICTED TO: A100779C=1892820. Customer Drawing.

STE TE Connectivity

LOC	DIST	REVISIONS			
P	LTN	DESCRIPTION	DATE	DMN	APVD
-	-	SEE SHEET 1	-	-	-

PART NUMBER	ROWS	POWER		
		P3	P2	P1
1-1892820-2	D	RM	RM	RM
	C			
	B			
	A			
3ACP				

PART NUMBER	ROWS	POWER	
		P2	P1
1-1892820-3	D	RM	RA
	C		
	B		
	A		
2ACP			

B2

PART NUMBER	ROWS	POWER																	
		P18	P17	P16	P15	P14	P13	P12	P11	P10	P9	P8	P7	P6	P5	P4	P3	P2	P1
1-1892820-4	D	LP	LP	LP	LP	LP	LP	LP	LP	LP	LP	LP	LP	LP	LP	LP	LP	LP	LP
	C																		
	B																		
	A																		
18LP																			

B3

PART NUMBER	ROWS	POWER																			
		P20	P19	P18	P17	P16	P15	P14	P13	P12	P11	P10	P9	P8	P7	P6	P5	P4	P3	P2	P1
1-1892820-6	D	LP	LP	LP	LP	LP	LP	LP	LP	LP	LP	LP	LP	LP	LP	LP	LP	LP	LP	LP	LP
	C																				
	B																				
	A																				
20LP																					

B3

PART NUMBER	ROWS	POWER																							
		P24	P23	P22	P21	P20	P19	P18	P17	P16	P15	P14	P13	P12	P11	P10	P9	P8	P7	P6	P5	P4	P3	P2	P1
1-1892820-7	D	LP	LP	LP	LP	LP	LP	LP	LP	LP	LP	LP	LP	LP	LP	LP	LP	LP	LP	LP	LP	LP	LP	LP	LP
	C																								
	B																								
	A																								
24LP																									

B3

PART NUMBER	ROWS	POWER										SIGNAL		POWER										
		P18	P17	P16	P15	P14	P13	P12	P11	P10	P9	P8	P7	P6	P5	P4	P3	P2	P1					
1-1892820-8	D	RM	RM	RM	RM	RM	RM	RM	RM	RM	E	E	RM	RM	RM	RM	RM	RM	RM	RM	RM	RM	RM	RM
	C																							
	B																							
	A																							
9P + 8S + 9P																								

B4

PART NUMBER	ROWS	POWER											SIGNAL		POWER									
		P18	P17	P16	P15	P14	P13	P12	P11	P10	P9	P8	P7	P6	P5	P4	P3	P2	P1					
1-1892820-9	D	RM	RM	RM	RM	RM	RM	RM	RM	RM	E	E	RM	RM	RM	RM	RM	RM	RM	RM	RM	RM	RM	RM
	C																							
	B																							
	A																							
8P + 8S + 10P																								

B5

PART NUMBER	ROWS	POWER																						
		P18	P17	P16	P15	P14	P13	P12	P11	P10	P9	P8	P7	P6	P5	P4	P3	P2	P1					
2-1892820-0	D	RM	RM	RM	RM	RM	RM	RM	RM	RM	RM	RM	RM	RM	RM	RM	RM	RM	RM	RM	RM	RM	RM	RM
	C																							
	B																							
	A																							
18HDP																								

THIS DRAWING IS A CONTROLLED DOCUMENT.		DMN: C. ZHOU	TAMAY2012		TE Connectivity
DIMENSIONS: INCHES		CHK: S. ZHAO	APVD:		NAME: SQUEEZE TO RELEASE CABLE RECEPTACLE ASSEMBLY W/ LATCHES AND KEY, MULTI-BEAM XLE
TOLERANCES UNLESS OTHERWISE SPECIFIED:		PRODUCT SPEC: 108-2157		SIZE: A100779	
0 PLC ±		APPLICATION SPEC: 114-13112		DRAWING NO: C=1892820	
1 PLC ±0.01		WEIGHT:		RESTRICTED TO:	
2 PLC ±0.005		Customer Drawing		SCALE: 1:1	
3 PLC ±0.0020		SCALE: 1:1		SHEET 5 OF 8	
4 PLC ANGLES ±0.0020		SCALE: 1:1		REV: D3	
FINISH:		SCALE: 1:1		REV: D3	

LOC		DIST		REVISIONS			
P	LTN	DESCRIPTION	DATE	DMN	APVD		
-	-	SEE SHEET 1	-	-	-		

PART NUMBER	ROWS	POWER		SIGNAL		LOWER POWER				LOW POWER				SIGNAL		POWER						
		P4	P3	6	5	LP8	LP7	LP6	LP5	4	3	LP4	LP3	LP2	LP1	2	1	P2	P1			
2-1892820-1	D	RM	RM	E	E	LP	LP	LP	LP	E	E	LP	LP	LP	LP	E	E	RM	RM			
	C			E	E					E	E					E	E			E		
	B			E	E					E	E					E	E			E	E	E
	A			E	E					E	E					E	E			E	E	E

2P + 8S + 4LP + 8S + 4LP + 8S + 2P

PART NUMBER	ROWS	POWER						
		P7	P6	P5	P4	P3	P2	P1
2-1892820-2	D	RM	RM	RM	RM	RM	RM	RM
	C							
	B							
	A							

7P

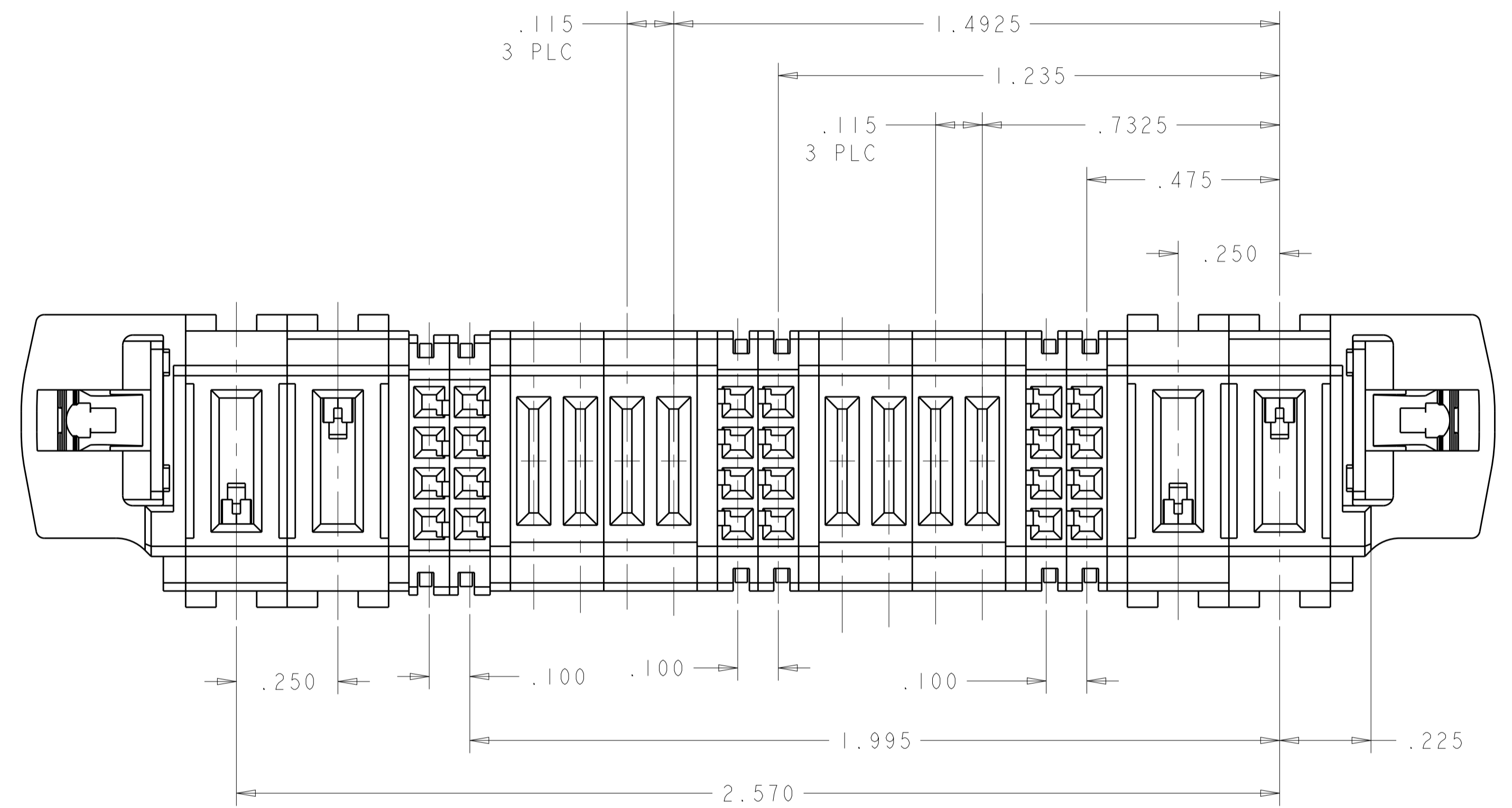
NO CONTACT LOADED

PART NUMBER	ROWS	POWER	
		LP2	LP1
2-1892820-3	D	LP	LP
	C		
	B		
	A		

2LP

PART NUMBER	ROWS	SIGNAL			
		4	3	2	1
2-1892820-4	D	E	E	E	E
	C	E	E	E	E
	B	E	E	E	E
	A	E	E	E	E

16S



PART NUMBER	ROWS	SIGNAL				POWER	
		4	3	2	1	P2	P1
2-1892820-5	D	E	E	E	E	RM	RM
	C	E	E	E	E		
	B	E	E	E	E		
	A	E	E	E	E		

2ACP + 16S

PART NUMBER	ROWS	POWER		
		P3	P2	P1
2-1892820-7	D	RM	RM	RM
	C			
	B			
	A			

3ACP

NO CONTACT LOADED

PART NUMBER	ROWS	POWER						
		P7	P6	P5	P4	P3	P2	P1
2-1892820-6	D	RM	RM	RM	RM	RM	RM	RM
	C							
	B							
	A							

7ACP

NO CONTACTS LOADED

THIS DRAWING IS A CONTROLLED DOCUMENT.		DMN C. ZHOU 14MAY2012	STE TE Connectivity
DIMENSIONS: INCHES		CHK S. ZHAO	
TOLERANCES UNLESS OTHERWISE SPECIFIED:		APVD	NAME SQUEEZE TO RELEASE CABLE RECEPTACLE ASSEMBLY W/ LATCHES AND KEY, MULTI-BEAM XLE
0 PLC ± .01		PRODUCT SPEC 108-2157	SIZE CAGE CODE DRAWING NO
1 PLC ± .01		APPLICATION SPEC	A100779C=1892820
2 PLC ± .005		RESTRICTED TO	SCALE 1:1 SHEET 6 OF 8 REV D3
3 PLC ± .002		Customer Drawing	
4 PLC ± .0020			
ANGLES ± .5°			
FINISH			

LOC	DIST	REV	DATE	BY	APVD

PART NUMBER	ROWS	POWER				SIGNAL				POWER			
		P8	P7	P6	P5	4	3	2	1	P4	P3	P2	P1
2-1892820-8	D					E	E	E	E				
	C	RM	RM	RM	RM	E	E	E	E	RM	RM	RM	RM
	B					E	E	E	E				
	A					E	E	E	E				
4ACP + 16S + 4ACP													

PART NUMBER	ROWS	POWER			SIGNAL		POWER		
		P6	P5	P4	2	1	P3	P2	P1
3-1892820-4	D				-	-			
	C	RM	RM	RM	-	-	RM	RM	RM
	B				-	-			
	A				-	-			
3ACP + 8S + 3ACP									

- NO CONTACTS LOADED

PART NUMBER	ROWS	SIGNAL			POWER	
		3	2	1	LP2	LP1
2-1892820-9	D	E	E	E		
	C	E	E	E	LP	LP
	B	E	E	E		
	A	E	E	E		
2LP + 12S						

PART NUMBER	ROWS	POWER			SIGNAL					POWER		
		P6	P5	P4	5	4	3	2	1	P3	P2	P1
3-1892820-5	D				E	E	E	E	E			
	C	RM	RM	RM	E	E	E	E	E	RM	RM	RM
	B				E	E	E	E	E			
	A				E	E	E	E	E			
3ACP + 20S + 3ACP												

PART NUMBER	ROWS	POWER		SIGNAL				POWER	
		P4	P3	4	3	2	1	P2	P1
3-1892820-0	D			-	-	-	-		
	C	RM	RM	-	-	-	-	RA	RA
	B			-	-	-	-		
	A			-	-	-	-		
2ACP + 16S + 2ACP									

- NO CONTACTS LOADED

PART NUMBER	ROWS	POWER	SIGNAL						POWER
		P2	6	5	4	3	2	1	P1
3-1892820-6	D		E	E	E	E	E	E	
	C	RM	E	E	E	E	E	E	RM
	B		E	E	E	E	E	E	
	A		E	E	E	E	E	E	
1ACP + 24S + 1ACP									

PART NUMBER	ROWS	POWER				SIGNAL				POWER			
		P8	P7	P6	P5	4	3	2	1	P4	P3	P2	P1
3-1892820-1	D					-	-	-	-				
	C	RM	RM	RM	RM	-	-	-	-	RA	RA	RA	RA
	B					-	-	-	-				
	A					-	-	-	-				
4ACP + 16S + 4ACP													

- NO CONTACTS LOADED

PART NUMBER	ROWS	POWER		SIGNAL		
		P2	P1	3	2	1
3-1892820-7	D			E	E	E
	C	RM	RM	E	E	E
	B			E	E	E
	A			E	E	E
12S + 2ACP						


PART NUMBER	ROWS	POWER		
		P3	P2	P1
3-1892820-2	D			
	C	RM	RM	RM
	B			
	A			
3P				

PART NUMBER	ROWS	SIGNAL				POWER			
		4	3	2	1	P4	P3	P2	P1
3-1892820-8	D	E	E	E	E				
	C	E	E	E	E	RA	RA	RM	RM
	B	E	E	E	E				
	A	E	E	E	E				
4ACP + 16S									

PART NUMBER	ROWS	S	POWER		
		I	P3	P2	P1
3-1892820-9	D	E			
	C	E	RM	RM	RM
	B	E			
	A	E			
3ACP + 4S					

(D)

PART NUMBER	ROWS	POWER					
		P6	P5	P4	P3	P2	P1
3-1892820-3	D						
	C	RM	RM	RM	RM	RM	RM
	B						
	A						
6P							

THIS DRAWING IS A CONTROLLED DOCUMENT.		DWG: C.ZHOU 14MAY2012 CHK: S.ZHAO APVD:	 TE Connectivity
DIMENSIONS: INCHES	TOLERANCES UNLESS OTHERWISE SPECIFIED: 0 PLC ± 1 PLC ±0.01 2 PLC ±0.005 4 PLC ±0.002 ANGLES ±0.2° FINISH	PRODUCT SPEC: 108-2157 APPLICATION SPEC: 114-13112 WEIGHT:	
MATERIAL:		Customer Drawing	RESTRICTED TO: 1:1 SCALE: 1:1 SHEET 7 OF 8 REV: D3

LOC	DIST	REVISIONS			
P	LTN	DESCRIPTION	DATE	DMN	APVD
-		SEE SHEET 1	-	-	-

PART NUMBER	ROWS	SIGNAL																			
		20	19	18	17	16	15	14	13	12	11	10	9	8	7	6	5	4	3	2	1
4-1892820-0	D	E	E	E	E	E	E	E	E	E	E	E	E	E	E	E	E	E	E	E	E
	C	E	E	E	E	E	E	E	E	E	E	E	E	E	E	E	E	E	E	E	E
	B	E	E	E	E	E	E	E	E	E	E	E	E	E	E	E	E	E	E	E	E
	A	E	E	E	E	E	E	E	E	E	E	E	E	E	E	E	E	E	E	E	E
80S																					

PART NUMBER	ROWS	POWER	SIGNAL		POWER
		P2	2	1	PI
4-1892820-1	D	RM	E	E	RA
	C		E	E	
	B		E	E	
	A		E	E	
IACP + 8S + IACP					

PART NUMBER	ROWS	POWER	SIGNAL	POWER
		P2	I	PI
4-1892820-2	D	RM	E	RA
	C		E	
	B		E	
	A		E	
IACP + 4S + IACP				

PART NUMBER	ROWS	SIGNAL																								
		25	24	23	22	21	20	19	18	17	16	15	14	13	12	11	10	9	8	7	6	5	4	3	2	1
4-1892820-3	D	E	E	E	E	E	E	E	E	E	E	E	E	E	E	E	E	E	E	E	E	E	E	E	E	E
	C	E	E	E	E	E	E	E	E	E	E	E	E	E	E	E	E	E	E	E	E	E	E	E	E	E
	B	E	E	E	E	E	E	E	E	E	E	E	E	E	E	E	E	E	E	E	E	E	E	E	E	E
	A	E	E	E	E	E	E	E	E	E	E	E	E	E	E	E	E	E	E	E	E	E	E	E	E	E
100S																										

THIS DRAWING IS A CONTROLLED DOCUMENT.		DMN C. ZHOU CHK S. ZHAO	TAMAY2012	STE TE Connectivity	
DIMENSIONS: INCHES		TOLERANCES UNLESS OTHERWISE SPECIFIED: 0 PLC ± 1 PLC ± 2 PLC ±0.01 3 PLC ±0.005 4 PLC ±0.0020 ANGLES ±7°			
APVD		PRODUCT SPEC 108-2157		NAME SQUEEZE TO RELEASE CABLE RECEPTACLE ASSEMBLY W/ LATCHES AND KEY, MULTI-BEAM XLE	
MATERIAL		APPLICATION SPEC 114-13112		SIZE CAGE CODE DRAWING NO A100779C=1892820	
FINISH		WEIGHT		RESTRICTED TO	
		Customer Drawing		SCALE 1:1 SHEET 8 OF 8 REV D3	