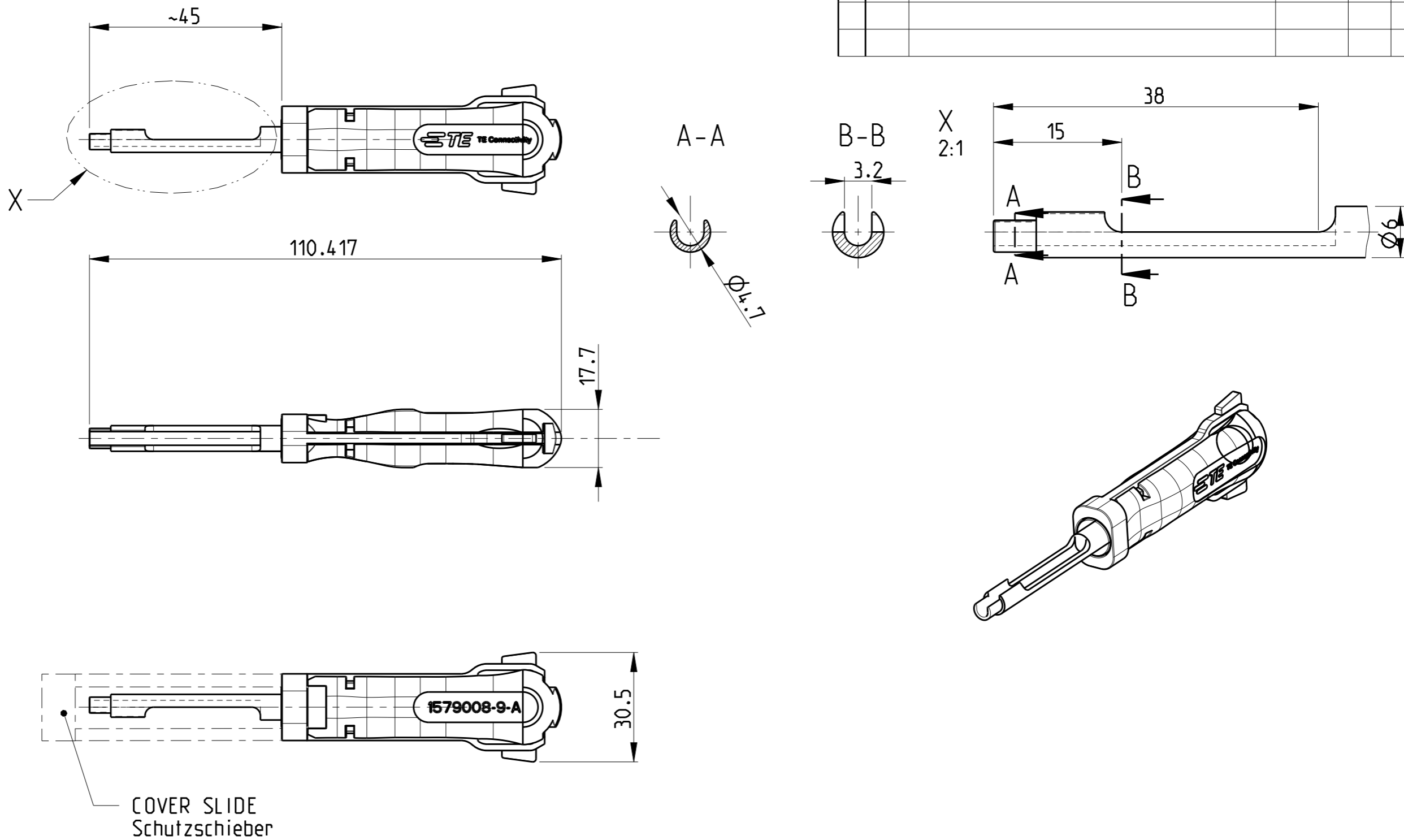



THIS DRAWING IS UNPUBLISHED. RELEASED FOR PUBLICATION 2009  
 © COPYRIGHT 2009 BY Tyco Electronics AMP GmbH ALL RIGHTS RESERVED.

REVISIONS					
P	LTR	DESCRIPTION	DATE	DWN	APVD
	A	INITIAL REVISION	18MAY2010	JZ	SA
	A1	ECR-14-007870	02JUN2014	KH	RG



THIS DRAWING IS A CONTROLLED DOCUMENT.		DWN J. ZAJICEK 09MAR2006	 TE Connectivity	
DIMENSIONS: mm		CHK S.Samstag 18MAY2010		
TOLERANCES UNLESS OTHERWISE SPECIFIED:		APVD S.Samstag 18MAY2010	NAME INSERTION TOOL Montagewerkzeug	
0 PLC ± 1 PLC ± 2 PLC ± 3 PLC ± 4 PLC ± ANGLES ±1°		PRODUCT SPEC -	RESTRICTED TO -	
MATERIAL .		FINISH -	APPLICATION SPEC -	SIZE A3
		WEIGHT -	CAGE CODE -	DRAWING NO C-1579008-9
		Customer Drawing	SCALE 1:1	SHEET 1 OF 1
				REV A1