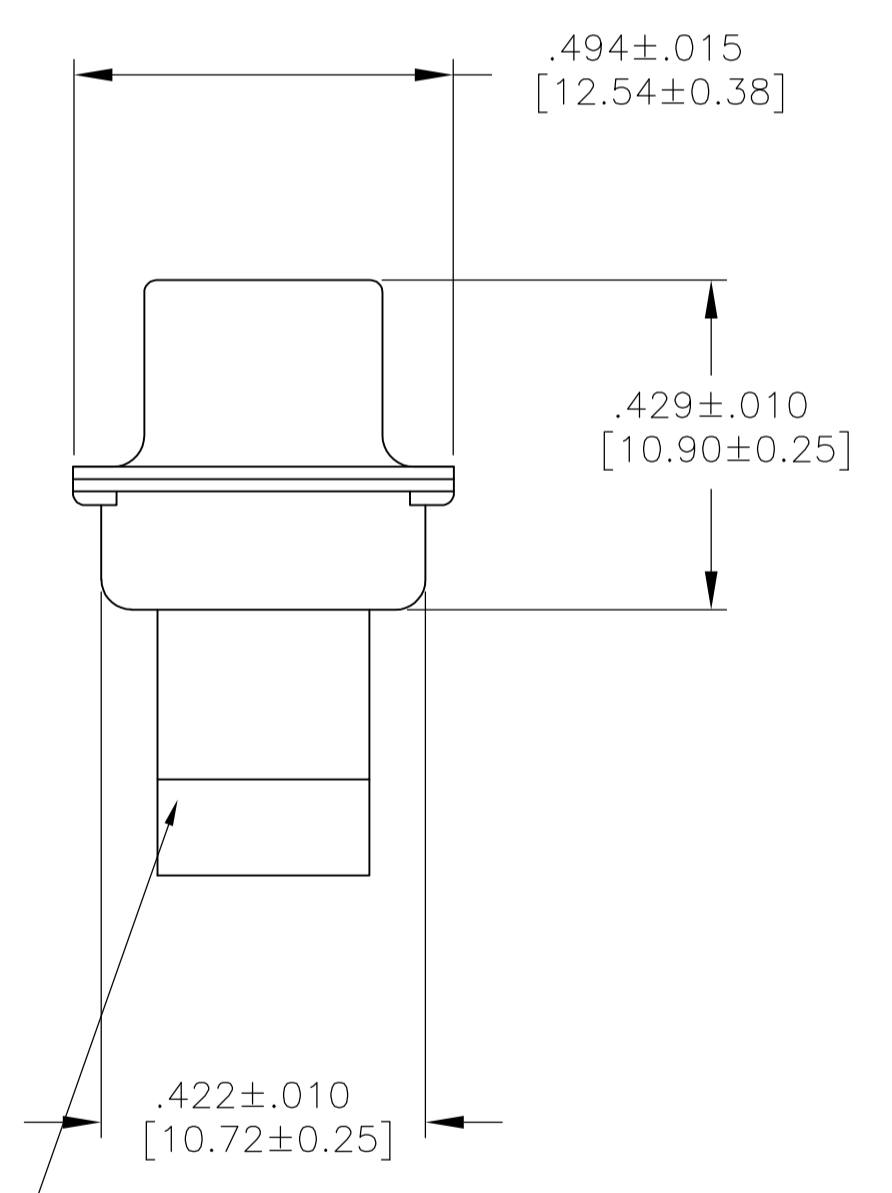
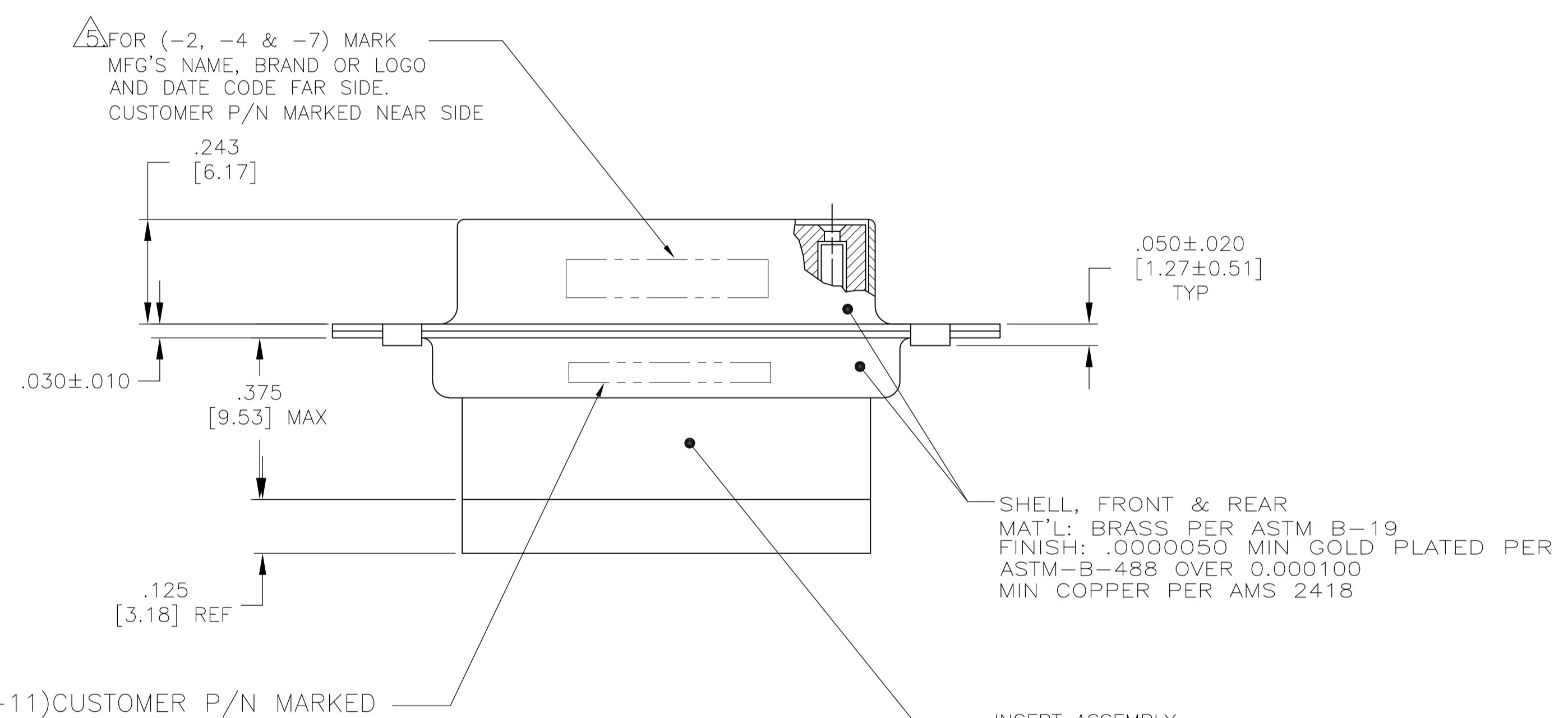
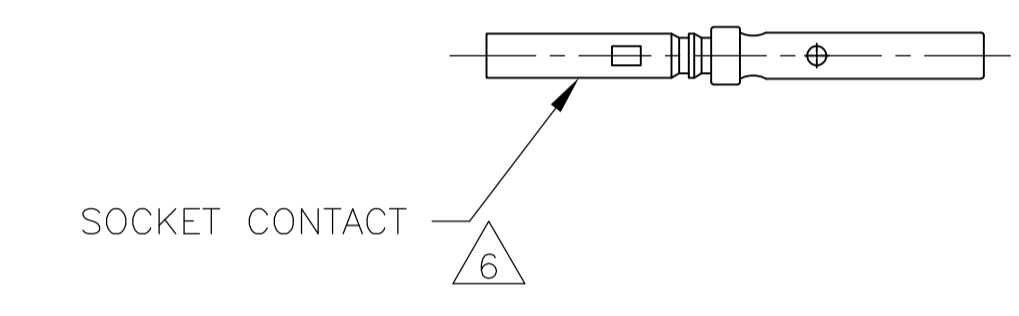


1. THIS RECEPTACLE WILL MATE WITH ANY 26 POSN, SIZE 2 PLUG IN AMPLIMITE SERIES.
 2. BE-CU RETENTION CLIPS ARE INCLUDED IN INSERT AND INSTALLED WITH TINES POINTING TOWARDS MATING FACE.
 3. CONNECTOR SUPPLIED WITHOUT CONTACTS, SHOWN FOR ILLUSTRATION ONLY. SEE NOTE 6.
 4. OVERALL DIMENSIONS DO NOT INCLUDE RAISED CAVITY IDENTIFICATION.
 5. MARKING FAR SIDE REFERS TO WIDE SIDE OF KEYSTONE. NEAR SIDE REFERS TO NARROW SIDE OF KEYSTONE.
 6. SOCKET CONTACT (QTY=26) INCLUDED IN KIT. (-7 ONLY)
- 100% INSPECTION REQUIRED PER BOEING 1B01:
 A. VISUAL
 B. DWV
 C. IR
- CUSTOMER REQUIRES SINGLE LOT DATE CODE.
- SPECIAL REQUIREMENTS:
 A. TEST TWO CONNECTORS PER LOT FOR COMPLIANCE TO GROMMET PEEL STRENGTH REQUIREMENTS.
 B. TEST ALL CIRCUIT CAVITIES FOR MISALIGNMENT OR EXCESSIVE ADHESIVE.



FOR (-1 & -11) CUSTOMER P/N MARKED ON FAR SIDE. MANUFACTURER'S NAME, BRAND OR LOGO AND MANUFACTURER'S PART NO AND DATE CODE MARKED ON NEAR SIDE. FOR (-2, -4 & -7) MARK MFG'S P/N FAR SIDE.

FOR (-2, -4 & -7) MARK MFG'S NAME, BRAND OR LOGO AND DATE CODE FAR SIDE. CUSTOMER P/N MARKED NEAR SIDE

SHELL, FRONT & REAR
 MAT'L: BRASS PER ASTM B-19
 FINISH: .0000050 MIN GOLD PLATED PER ASTM-B-488 OVER 0.000100 MIN COPPER PER AMS 2418

INSERT ASSEMBLY
 POLYPHENYLENE SULFIDE (PPS)
 GST-40-F PER MIL-M-24519
 OR GLASS FILLED POLYESTER
 TPES013G30 PER ASTM-D-5927

GROMMET
 MATERIAL: SILICONE RUBBER

REMARKS	DESCRIPTION	PART NO
-	SAME AS -1 EXCEPT CUSTOMER PART NO. 1B01-026RHW MARKED	1-211668-1
6	SAME AS -1 EXCEPT FORD PART NO. B010648-0004 MARKED	211668-7
-	SAME AS -1 EXCEPT NO CUSTOMER PART NO MARKED	211668-4
-	SAME AS -1 EXCEPT WITH TRW PART NUMBER 2A065-020V-001 MARKED	211668-2
-	AS SHOWN-WITH HUGHES PART NO 1B01-026 MARKED	211668-1

THIS DRAWING IS A CONTROLLED DOCUMENT.

DIMENSIONS: INCHES (mm)	TOLERANCES UNLESS OTHERWISE SPECIFIED:	0 PLC ± -	1 PLC ± -	2 PLC ± -	3 PLC ± .005 [0.13]	4 PLC ± -	ANGLES ± -
-------------------------	--	-----------	-----------	-----------	---------------------	-----------	------------

MATERIAL: SEE CALLOUTS FINISH: SEE CALLOUTS WEIGHT: -- SIZE: A1 CAGE CODE: 00779 DRAWING NO: 211668 RESTRICTED TO: --

CUSTOMER DRAWING SCALE: 4:1 SHEET: 1 OF 1 REV: --

APPROVED: D. MILLER DATE: 30JUN06
 CHECKED: P. YEAGER DATE: 26JUN06
 NAME: RECEPTACLE ASSEMBLY, AMPLIMITE 26 POSITION, SIZE 2, SERIES 90, NON-MAGNETIC, SPECIAL WITH GROMMET