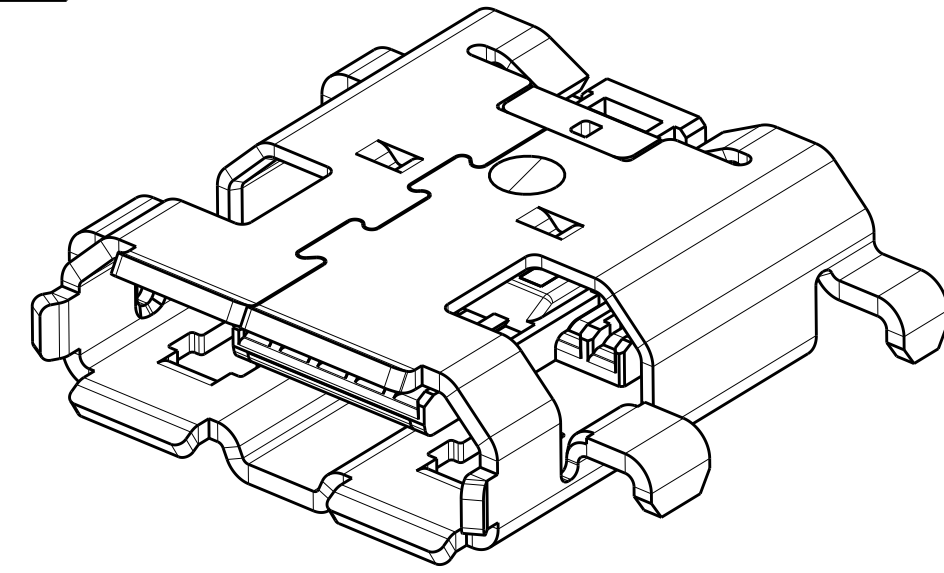
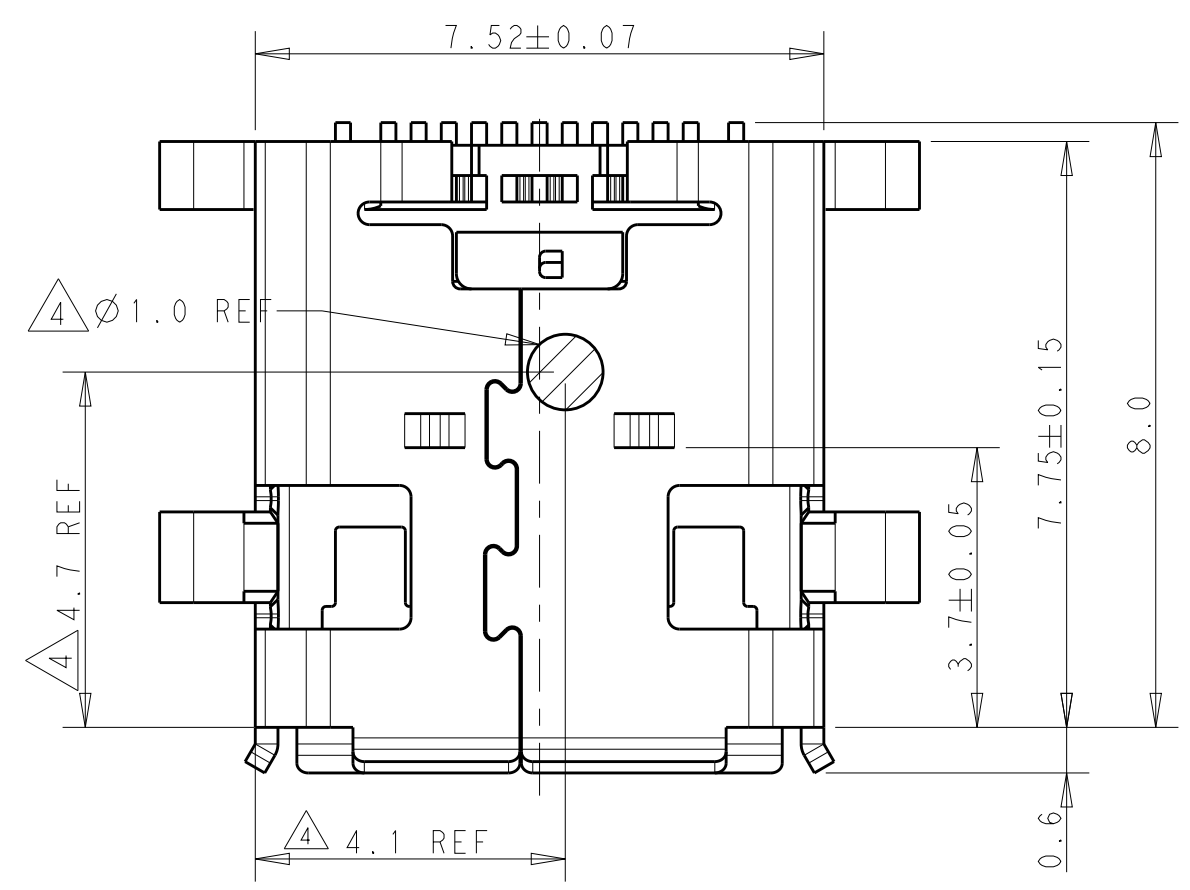


THIS DRAWING IS UNPUBLISHED. RELEASED FOR PUBLICATION 20
 © COPYRIGHT 20 BY - ALL RIGHTS RESERVED.

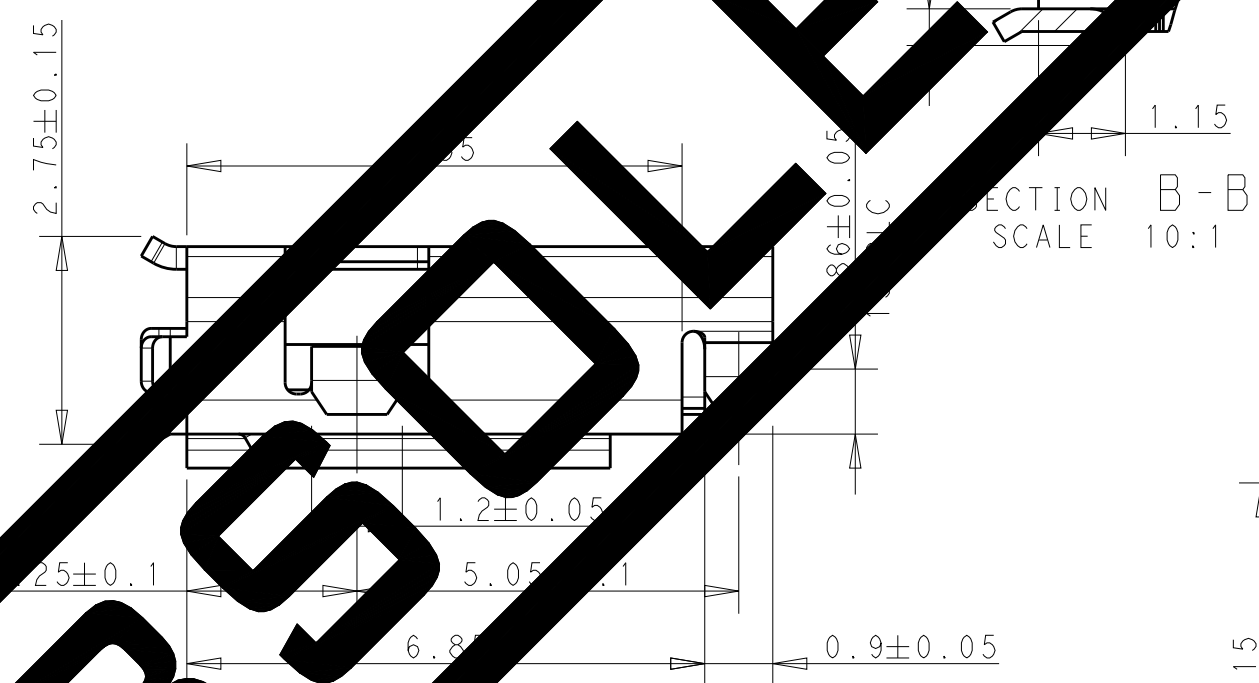
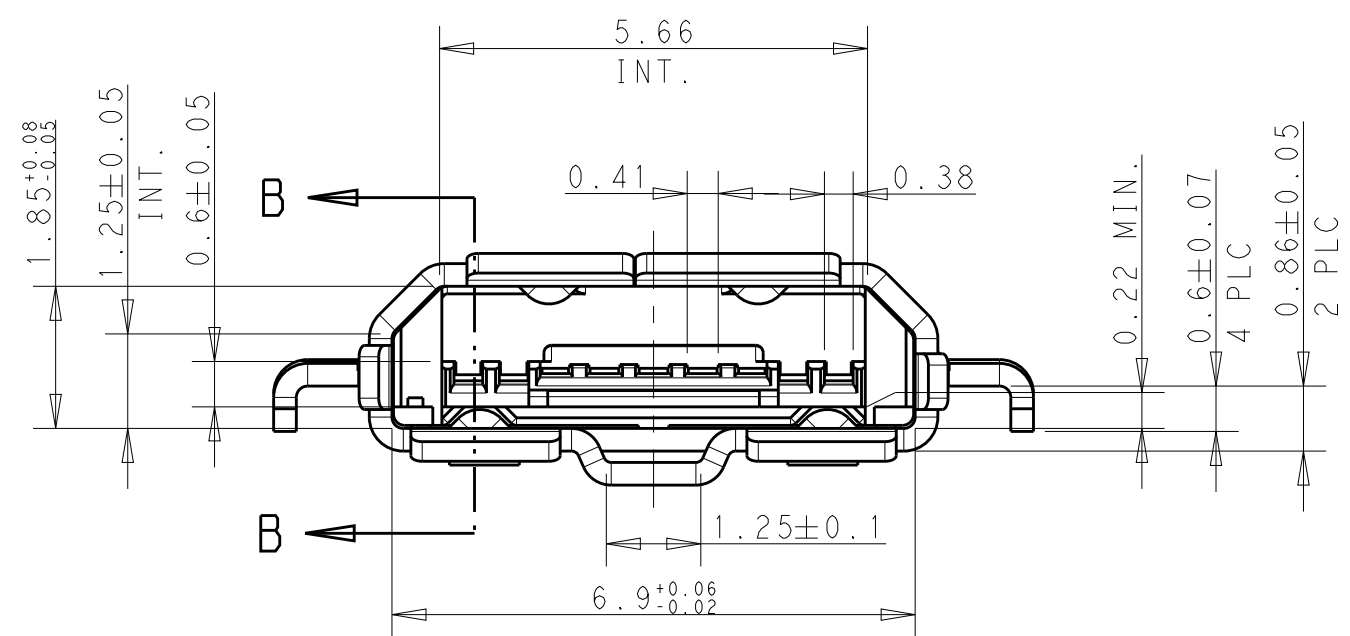
LOC		DIST		REVISIONS			
P	LTR	DESCRIPTION	DATE	DWN	APVD		
ES	00						
	A	OBSOLETE PN PER ECR-15-013671	17SEP2015	B.L	J.L		



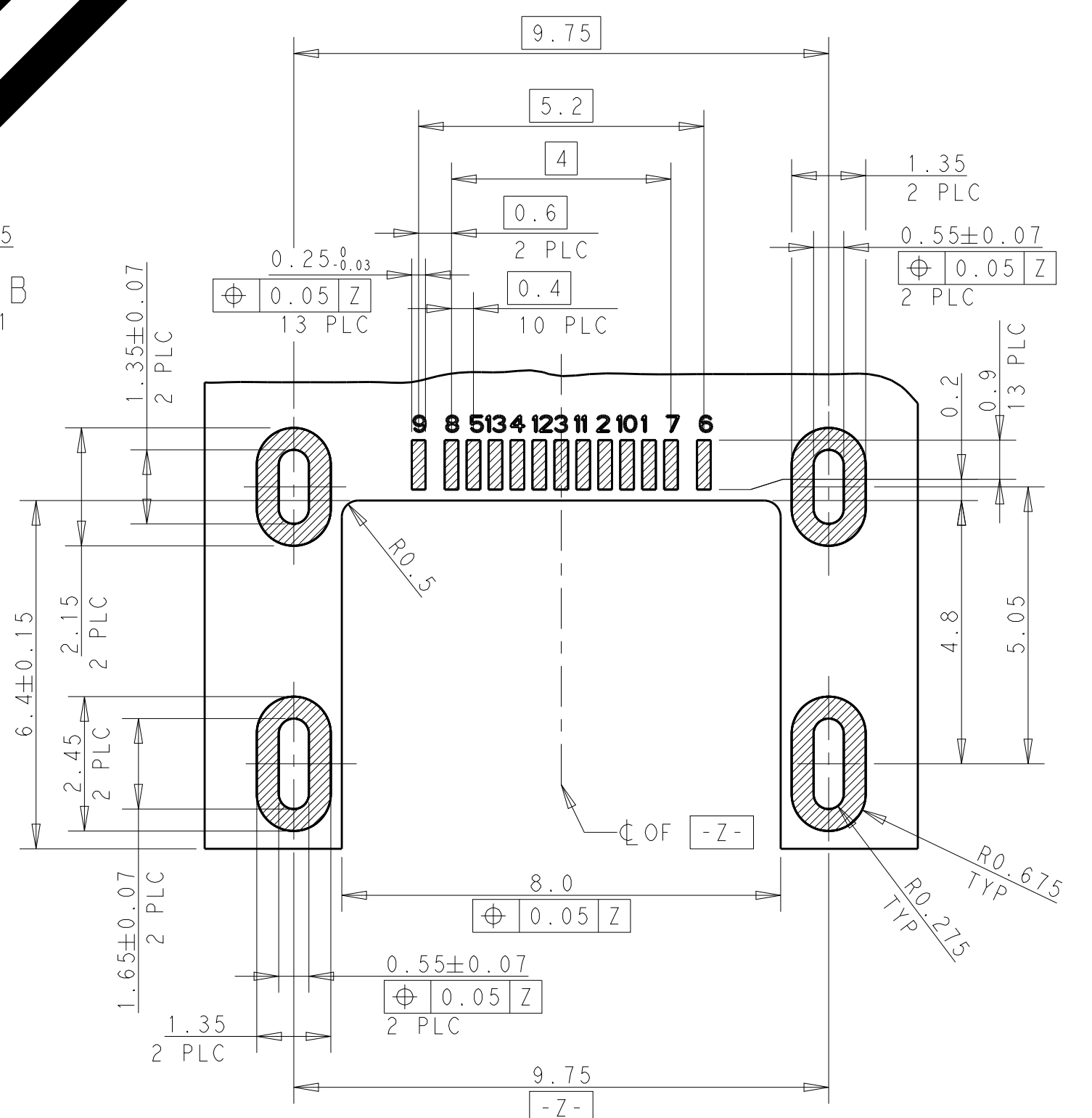
2199238-1; AS SHOWN

△ MATERIAL:
 CONTACT: COPPER ALLOY, THICKNESS 0.15±0.05.
 HOUSING: UL 94V-0, THERMOPLASTIC, COLOR: BLACK
 SHELL: STAINLESS STEEL, 0.30±0.05.

△ FINISH:
 CONTACT: GOLD PLATING ON CONTACT SURFACE AND GOLD FLASH
 SOLDER TINE SURFACE ALL OVER NICKEL UNDER PLATING.
 SELL: 0.75um ALL OVER TIN PLATING
 0.025um ALL OVER NICKEL UNDER PLATING
 COMPLANANCY: 0.08 MAX.
 PICK UP AND PLACE AREA
 RECOMMEND COPPER FOIL THICKNESS: 1 OZ (0.035MM).
 TRACE WIDTH: PIN 1 AND 5: 1MM.

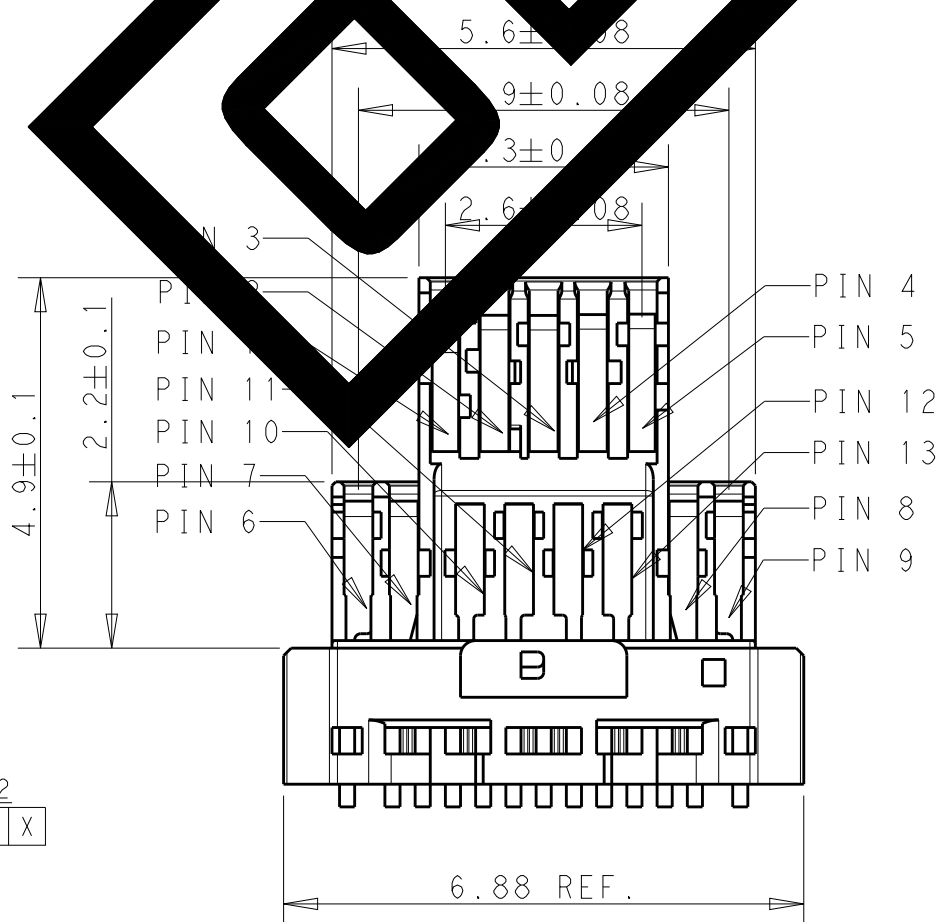
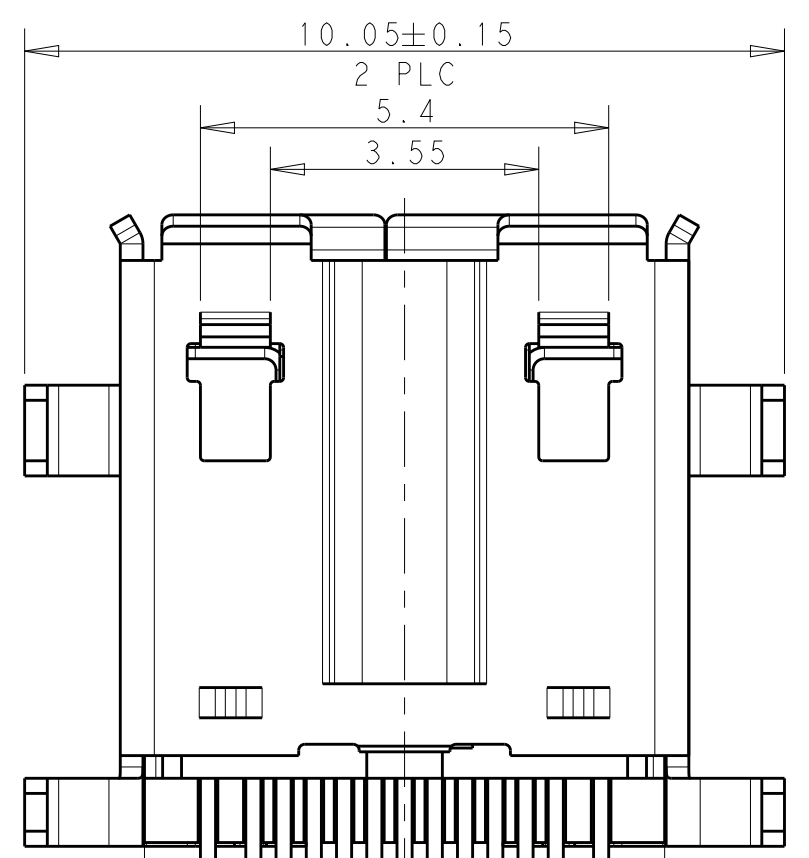


SECTION B-B
 SCALE 10:1



PIN DEFINITION

PIN NO.	SIGNAL NAME	USE CASE
PIN 13	CONTROL-4	
PIN 12	CONTROL-3	
PIN 11	CONTROL-2	
PIN 10	CONTROL-1	
PIN 9	S+dA_SSTX+	
PIN 8	S+dA_SSTX-	
PIN 7	S+dA_SSRX+	
PIN 6	S+dA_SSRX-	
PIN 5	GND-uUSB	
PIN 4	ID	
PIN 3	D+	
PIN 2	D-	
PIN 1	VBUS	



BOTTOM VIEW WITHOUT SHELL

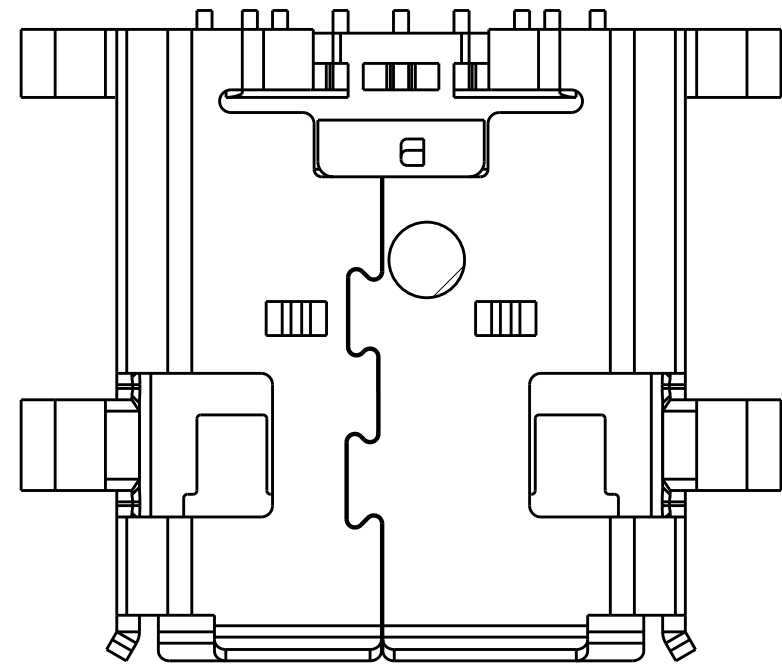
△ RECOMMENDED PWB LAYOUT
 VIEWED FROM CONNECTOR MOUNT SIDE
 GENERAL TOLERANCE: ±0.05

THIS DRAWING IS A CONTROLLED DOCUMENT.

DIMENSIONS:	TOLERANCES UNLESS OTHERWISE SPECIFIED:	DWN Tony Zhang 28JAN2013	TE Connectivity
mm	0 PLC ±0.15	CHK Xu Xiang 28JAN2013	
	1 PLC ±0.1	APVD Steven Yao 28JAN2013	
	2 PLC ±0.05	NAME MULTI I/O 5+4+4	
	3 PLC ±0.05	PRODUCT SPEC 108-115055	REVERSE 0.86MM OFFSET RECEPTACLE
	4 PLC ±	APPLICATION SPEC	FLANGE TYPE
MATERIAL	ANGLES ±3°	WEIGHT	SIZE A2
	FINISH	Customer Drawing	CAGE CODE 00779
			DRAWING NO C-2199238
			RESTRICTED TO
			SCALE 10:1
			SHEET 1 OF 3
			REV A

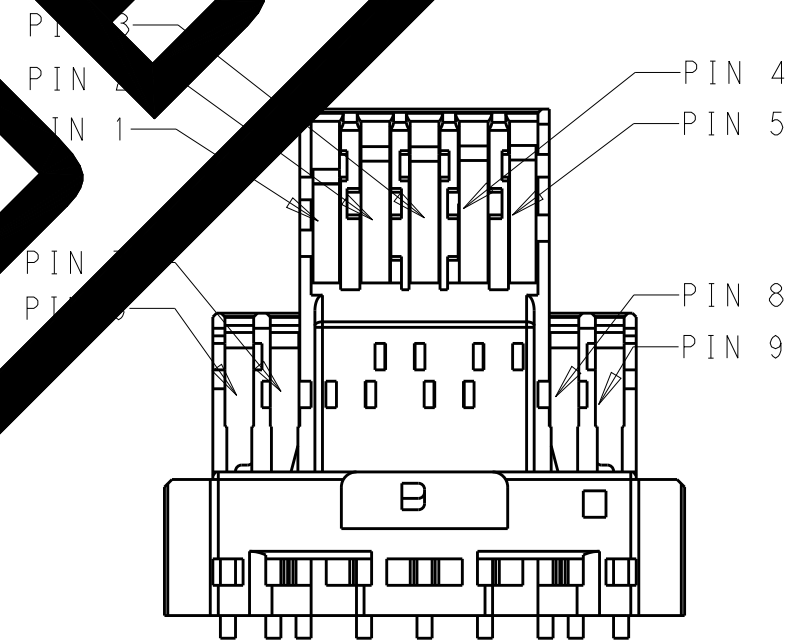
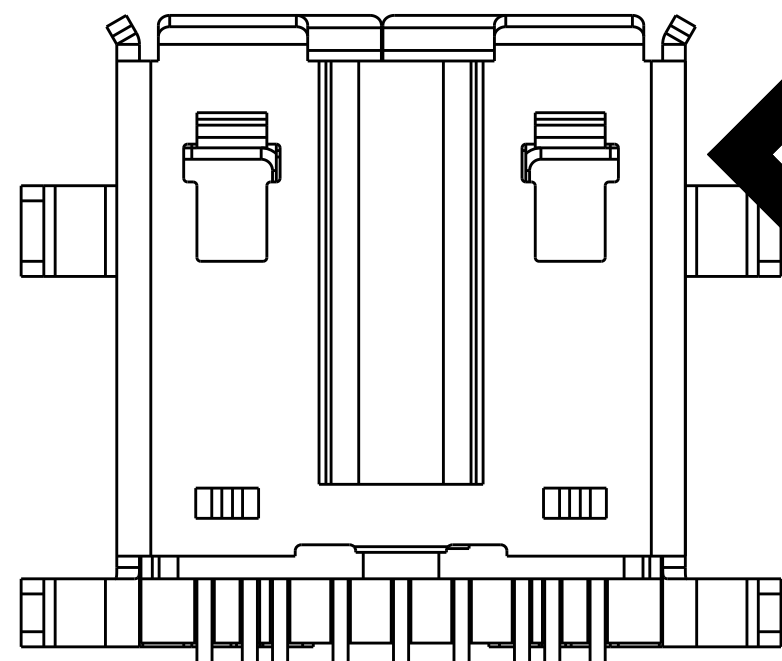
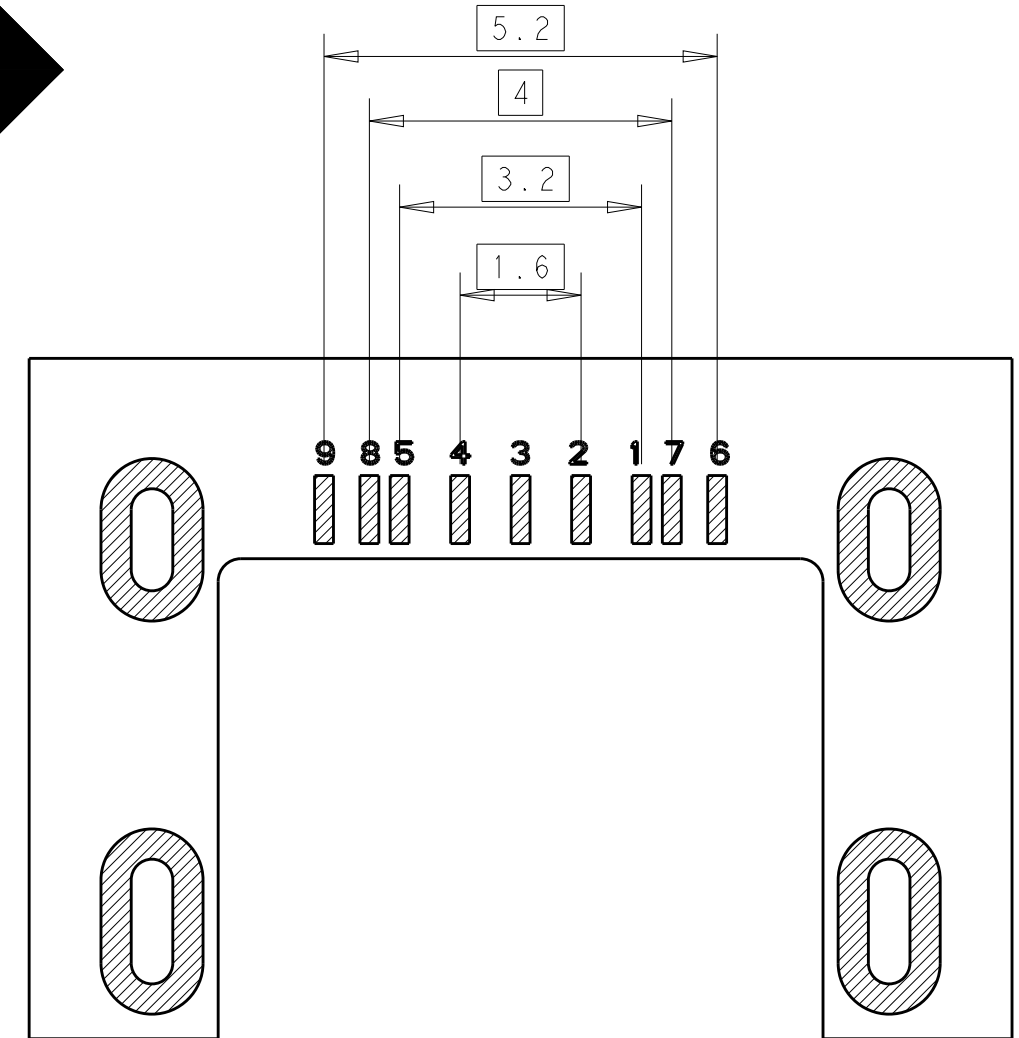
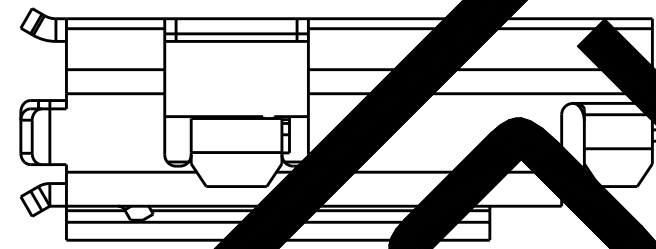
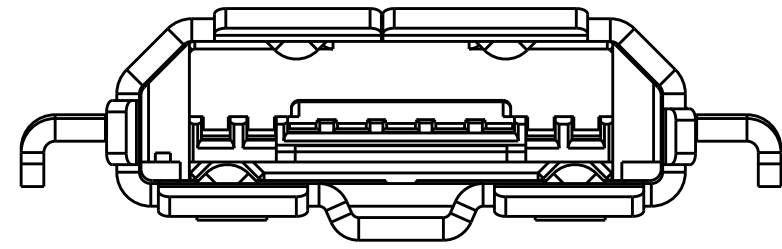
THIS DRAWING IS UNPUBLISHED. RELEASED FOR PUBLICATION 20
 © COPYRIGHT 20 BY - ALL RIGHTS RESERVED.

LOC	DIST	REVISIONS					
ES	00	P	LTR	DESCRIPTION	DATE	DWN	APVD
		-		SEE SHEET 1			



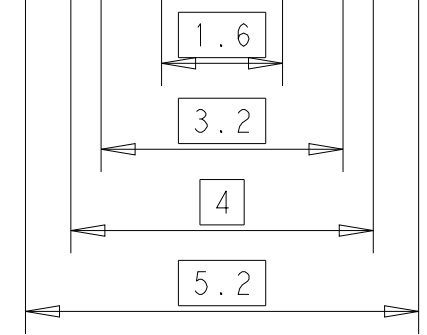
1-2199238-1; AS SHOWN

NOTE:
OTHER ITEMS AND DIMENSIONS, PLEASE REFER TO SHEET 1.



BOTTOM VIEW WITHOUT SHELL

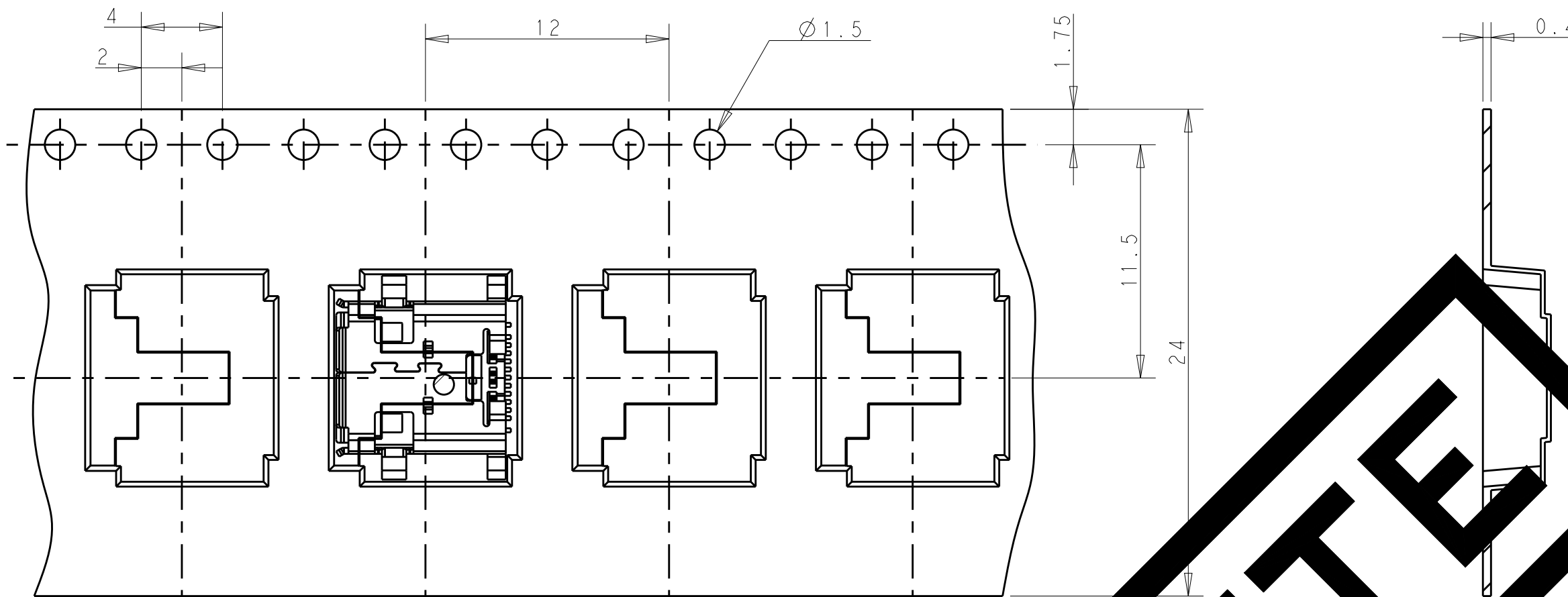
RECOMMENDED PWB LAYOUT
VIEWED FROM CONNECTOR MOUNT SIDE
GENERAL TOLERANCE: ±0.05



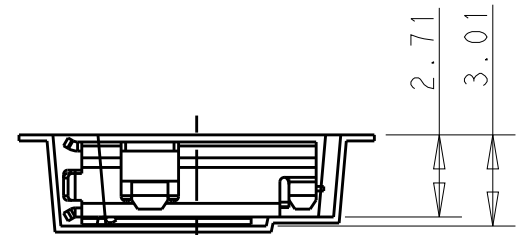
THIS DRAWING IS A CONTROLLED DOCUMENT.		DWN 28JAN2013 Tony Zhang	TE Connectivity	
DIMENSIONS: mm		CHK 28JAN2013 Xu Xiang		
TOLERANCES UNLESS OTHERWISE SPECIFIED:		APVD 28JAN2013 Steven Yao	NAME MULTI I/O 5+4+4 REVERSE 0.86MM OFFSET RECEPTACLE FLANGE TYPE	
0 PLC ±		PRODUCT SPEC 108-115055	SIZE CAGE CODE DRAWING NO RESTRICTED TO	
1 PLC ±0.15		APPLICATION SPEC	A200779 C-2199238	
2 PLC ±0.1		WEIGHT	SCALE 10:1 SHEET 2 OF 3 REV A	
3 PLC ±0.05		Customer Drawing		
4 PLC ±				
ANGLES ±3°				
FINISH				

THIS DRAWING IS UNPUBLISHED. RELEASED FOR PUBLICATION 20
 © COPYRIGHT 20 BY - ALL RIGHTS RESERVED.

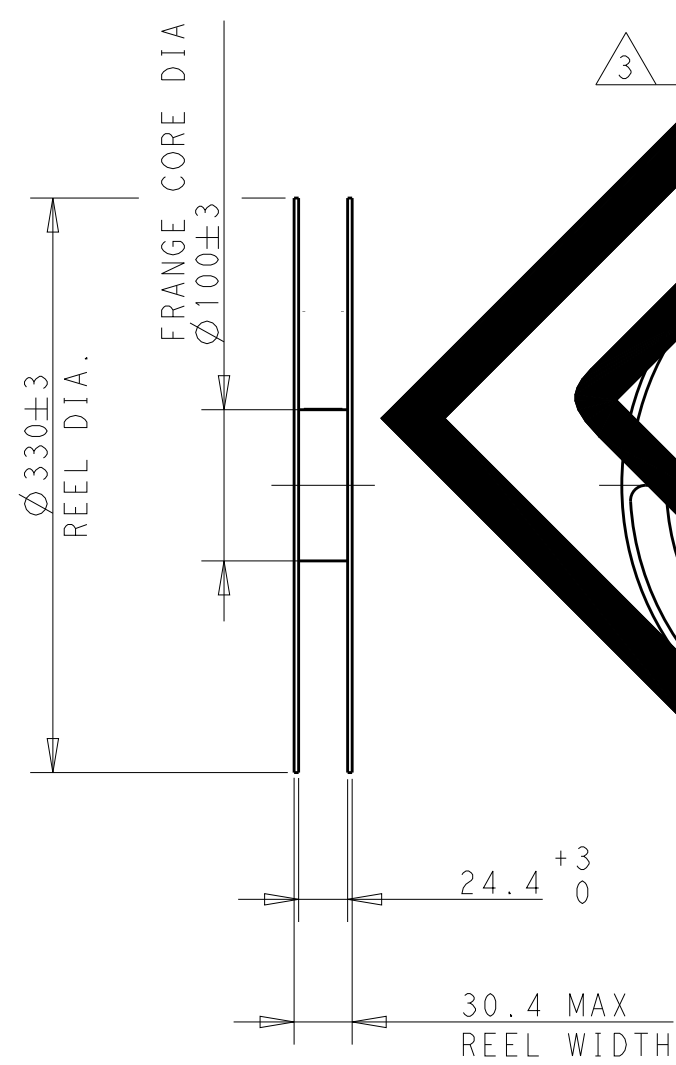
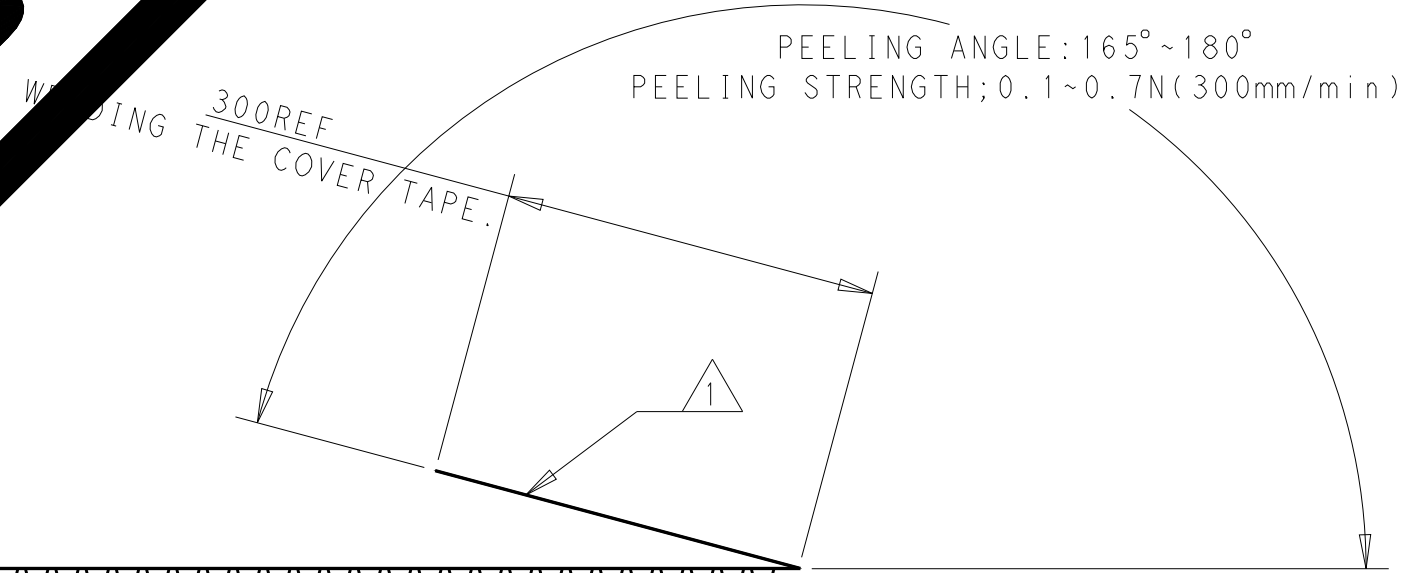
LOC	DIST	REVISIONS			
P	LTR	DESCRIPTION	DATE	DWN	APVD
ES	00	SEE SHEET 1	-	-	-



USER UNREELING DIRECTION →



ABSOLUTE



WITHOUT CHARGE 300MM REF.

WITH PRODUCT CHARGE 1000 PCS/1REEL

WITHOUT CHARGE 300mm REF.

UNREELING DIRECTION →

NO.	DESCRIPTION
1	COVER TAPE
2	EMBOSS TAPE
3	REEL

THIS DRAWING IS A CONTROLLED DOCUMENT.		DWN 28JAN2013 Tony Zhang	STE TE Connectivity	
DIMENSIONS: mm		CHK 28JAN2013 Xu Xiang		
TOLERANCES UNLESS OTHERWISE SPECIFIED:		APVD 28JAN2013 Steven Yao	NAME MULTI I/O 5+4+4 REVERSE 0.86MM OFFSET RECEPTACLE FLANGE TYPE	
0 PLC ±		PRODUCT SPEC 108-115055	SIZE CAGE CODE DRAWING NO RESTRICTED TO	
1 PLC ±0.15		APPLICATION SPEC -	A200779 C-2199238	
2 PLC ±0.1		WEIGHT -	SCALE 10:1 SHEET 3 OF 3 REV A	
3 PLC ±0.05		Customer Drawing		
4 PLC ±				
ANGLES ±3°				
FINISH				