

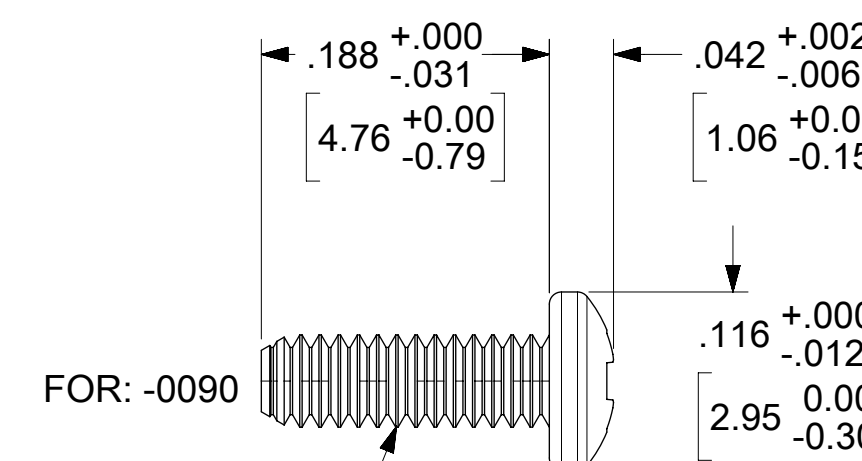
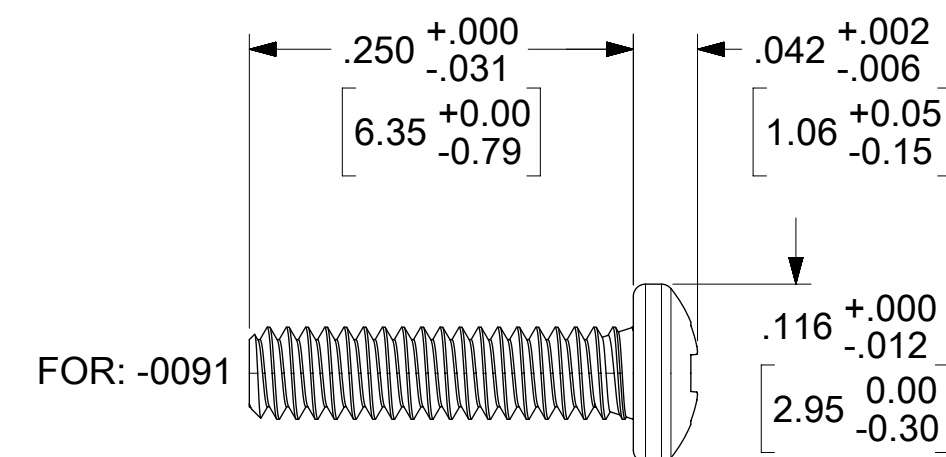
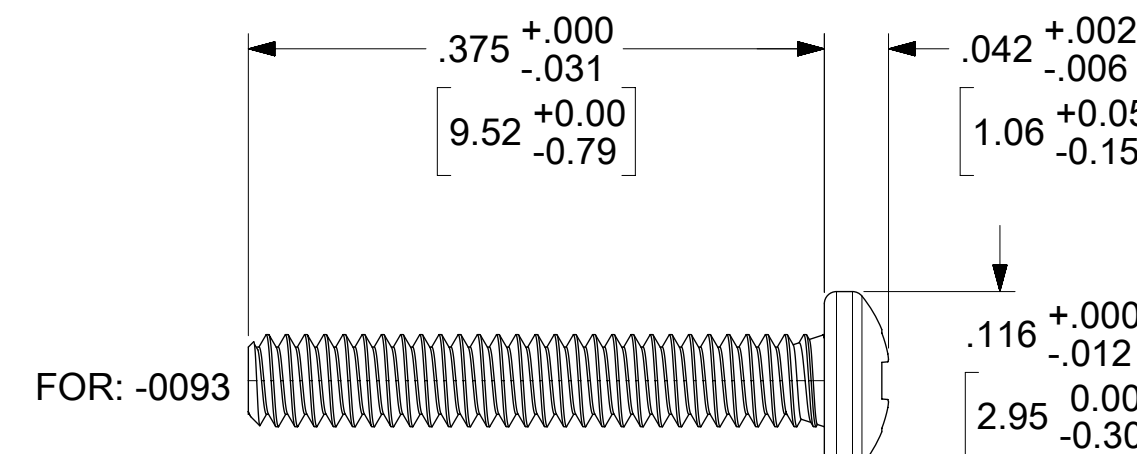
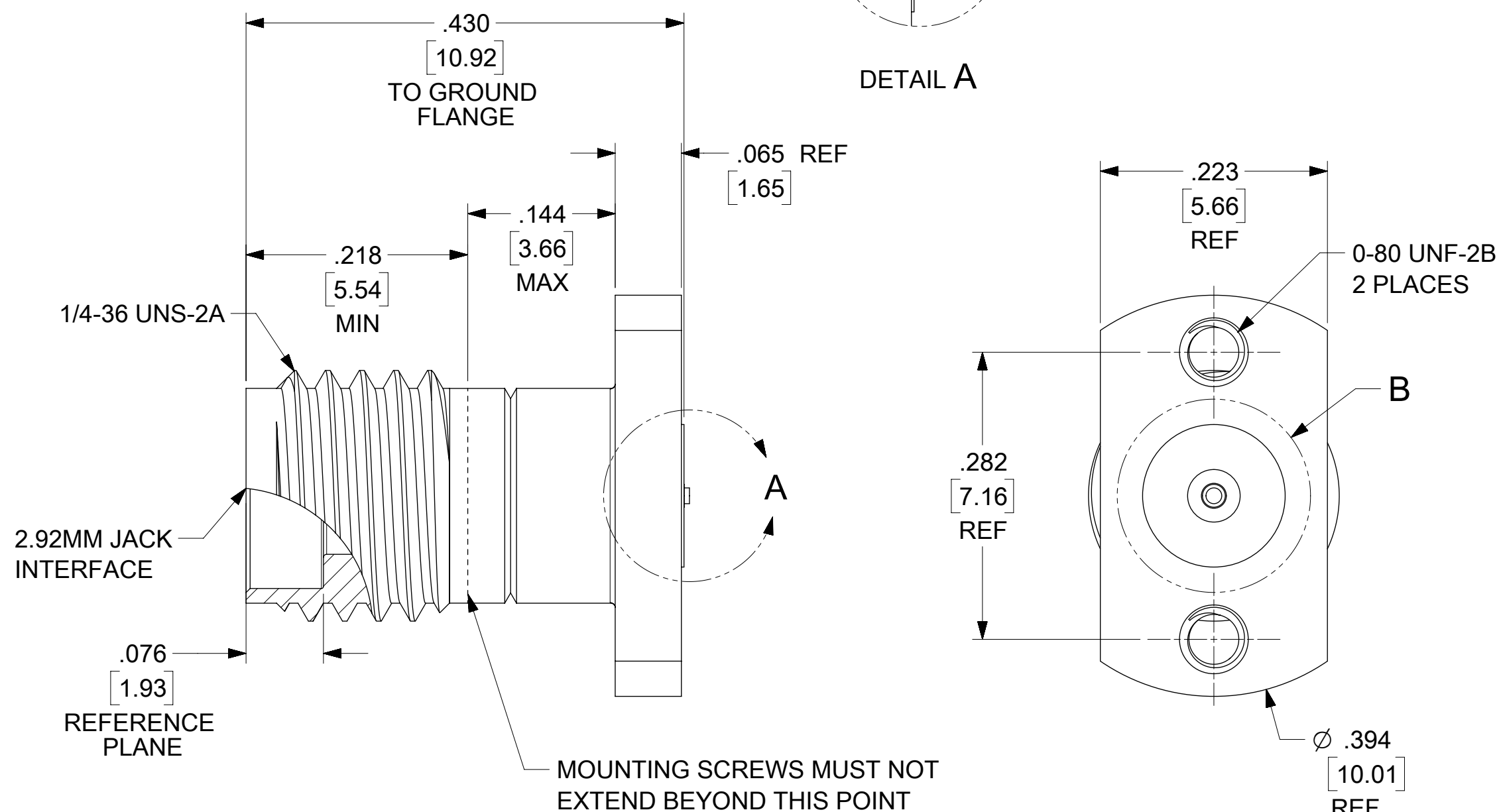
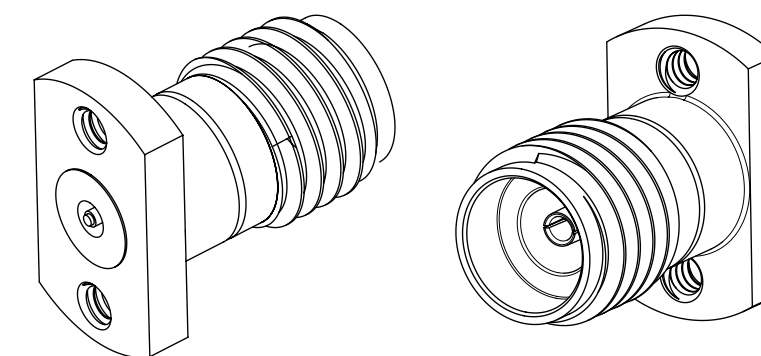
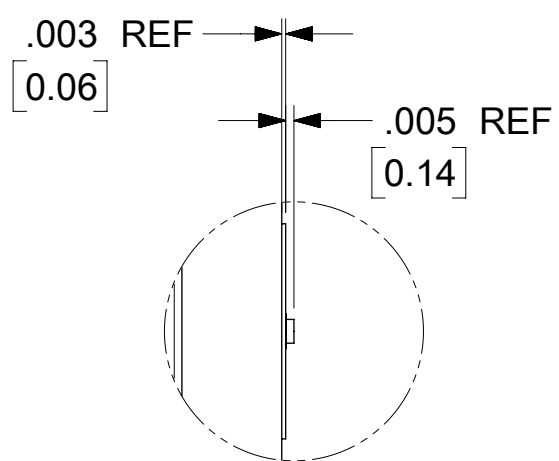
MATERIALS AND FINISHES:

BODY: STAINLESS STEEL
 PLATED: PASSIVATED

CENTER CONTACT: BERYLLIUM COPPER
 PLATED: GOLD (30μ-in) MIN
 OVER NICKEL (100μ-in) MIN.

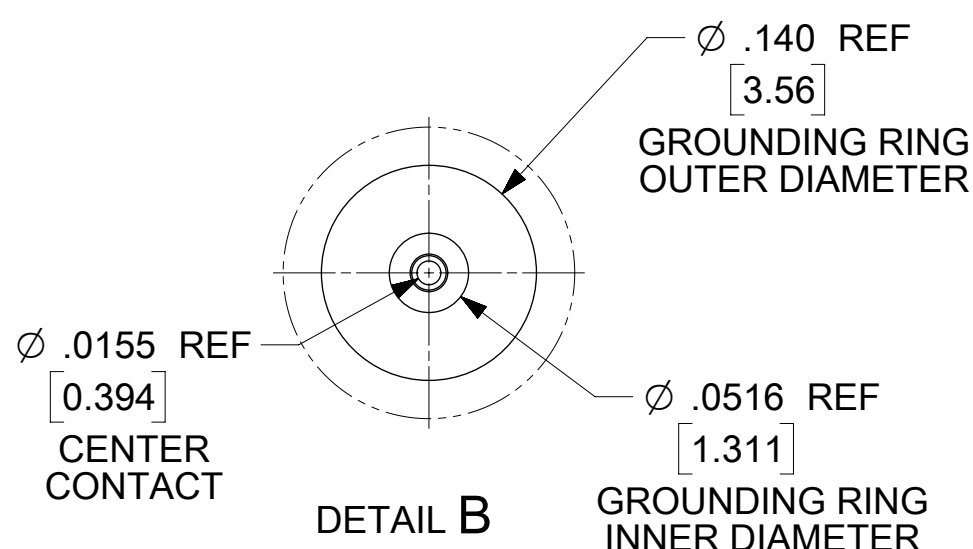
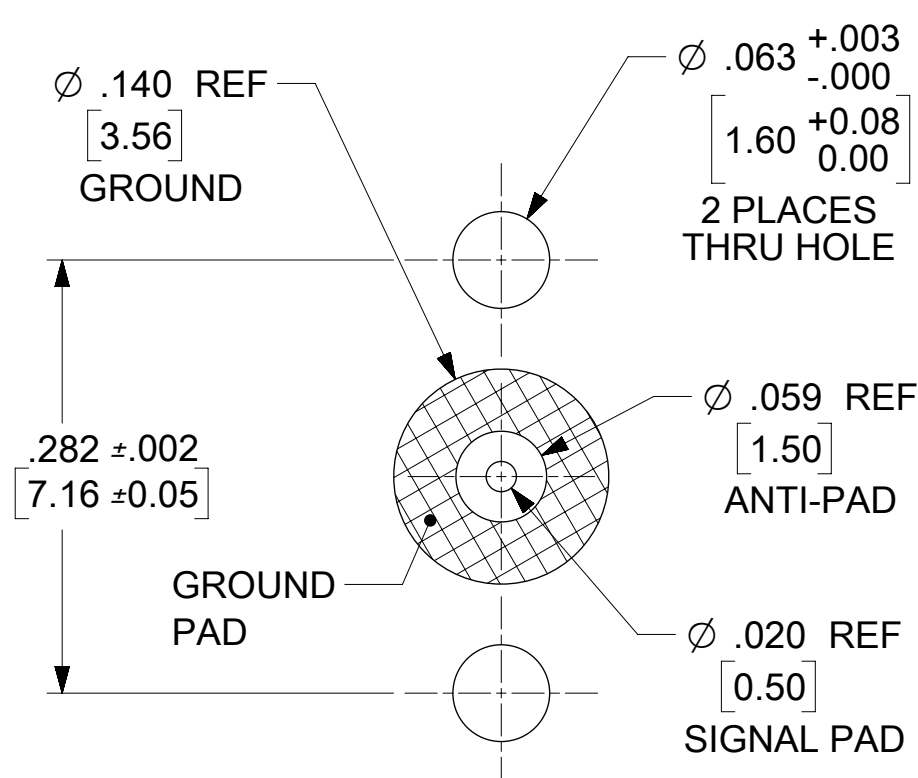
INSULATOR: PTFE

SCREW: STAINLESS STEEL
 PLATED: PASSIVATED



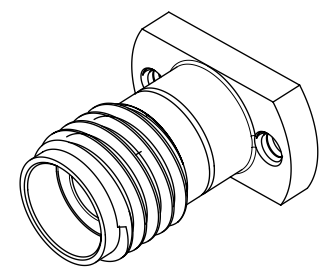
0-80 UNF-2A THREAD
 TORQUE TO .5-.8 INCH-POUNDS

NOTE:
 PATENT PENDING

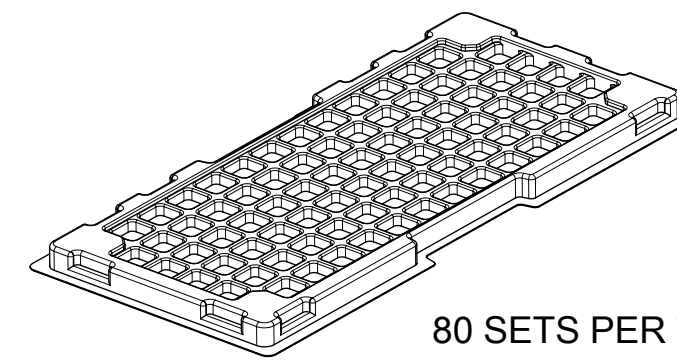


PART NO.	DESCRIPTION	PCB THICKNESS IN(MM)
73252-0093	WITH TWO .375/9.52 SCREWS	.170(4.32) TO .295(7.50)
73252-0092	NO SCREWS	
73252-0091	WITH TWO .250/6.35 SCREWS	.070(1.78) TO .165(4.19)
73252-0090	WITH TWO .188/4.76 SCREWS	.030(0.76) TO .096(2.44)
RELEASE STATUS	P1	RELEASE DATE 06.07.2017 13:47:00

QUALITY SYMBOLS F = 0 F = 0 F = 0 ▼ = 0 ▽ = 0 ⊠ = 0 ■ = 0 ▽ = 0	THIS DRAWING CONTAINS INFORMATION THAT IS PROPRIETARY TO MOLEX ELECTRONIC TECHNOLOGIES, LLC AND SHOULD NOT BE USED WITHOUT WRITTEN PERMISSION	GENERAL TOLERANCES (UNLESS SPECIFIED)		DIMENSION UNITS INCH		SCALE		
		4 PLACES ± ±		DRWN BY DATE APRAKASH01 2015/09/01		PRODUCT CUSTOMER DRAWING		
		3 PLACES ± ± 0.010		CHK'D BY DATE BBHARADWAJD 2017/02/20		SERIES MATERIAL NUMBER CUSTOMER 73252 SEE TABLE		
		2 PLACES ± 0.25 ±		APPR BY DATE AROBERTSON 2015/09/01		DOCUMENT NUMBER DOC TYPE DOC PART SHEET NUMBER SD-73252-009 PSD 000 1 OF 2		

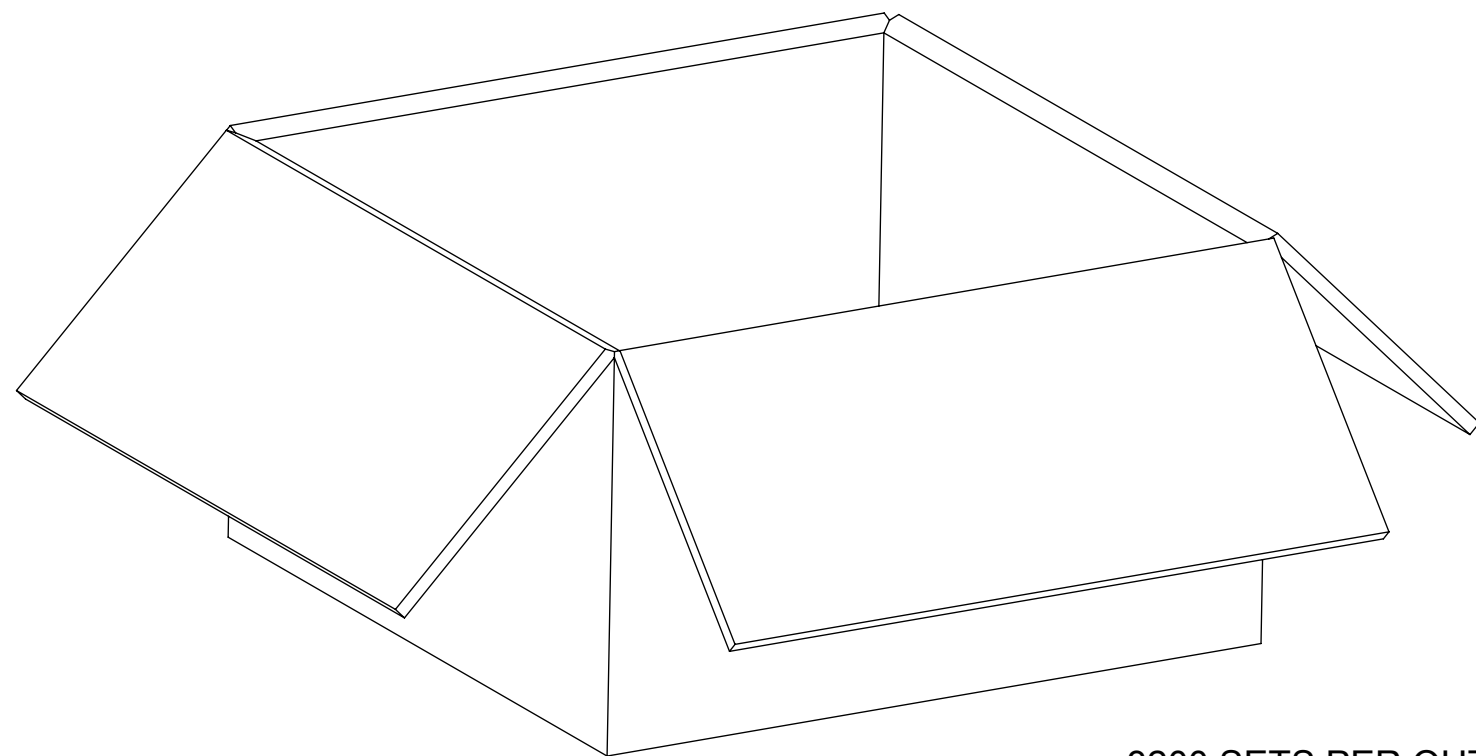


P/N: 73252-0092

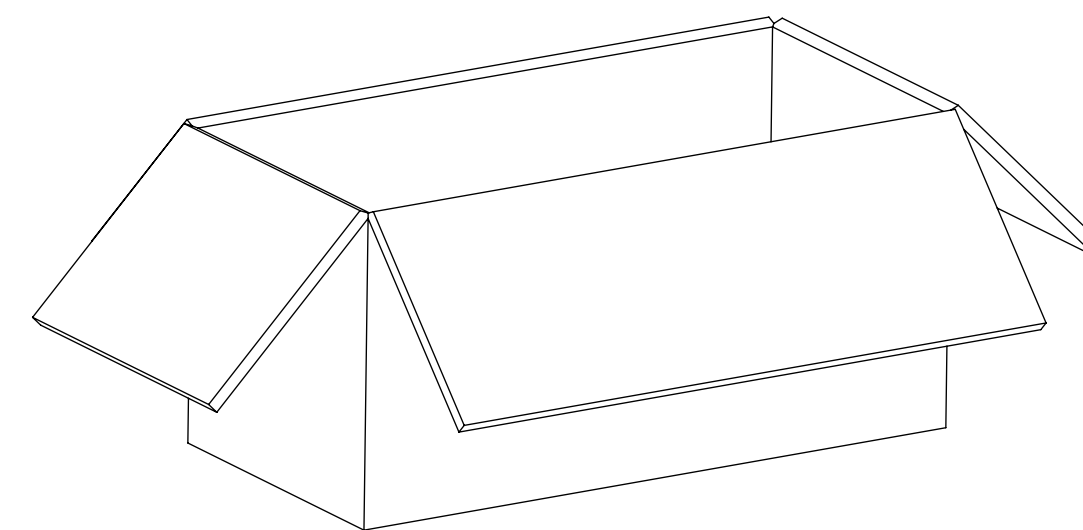


80 SETS PER TRAY
TRAY P/N: 89707-0190

FOR 73252-0092 ONLY



3200 SETS PER OUTER
CARTON BOX
P/N: 96708-0005



1600 SETS PER INNER
CARTON BOX
P/N: 96707-0001

QUALITY SYMBOLS		THIS DRAWING CONTAINS INFORMATION THAT IS PROPRIETARY TO MOLEX ELECTRONIC TECHNOLOGIES, LLC AND SHOULD NOT BE USED WITHOUT WRITTEN PERMISSION										
	= 0	SEE ECM 117632 EC NO: 117632 DRWN: PSWAMI02 CHKD: PSWAMI02 REV APPR: AROBERTSON 2017/06/01 2017/07/04 2017/07/06	GENERAL TOLERANCES (UNLESS SPECIFIED)			DIMENSION UNITS		SCALE				
	= 0		MM	INCH	INCH							
	= 0		4 PLACES	±	±	DRWN BY	DATE		2.92MM JACK, PCB FIELD REPLACEABLE 2.92-JR/F, EWR-10959-A			
	= 0		3 PLACES	±	± 0.010	APRAKASH01	2015/09/01					
	= 0		2 PLACES	±	± 0.25	CHK'D BY	DATE		PRODUCT CUSTOMER DRAWING			
	= 0		1 PLACES	±	±	BBHARADWAJD	2017/02/20					
	= 0	0 PLACES	±	±	APPR BY	DATE		SERIES: 73252 MATERIAL NUMBER: SEE TABLE CUSTOMER:				
	= 0	ANGULAR TOL = 2			AROBERTSON	2015/09/01						
	= 0	DRAFT WHERE APPLICABLE MUST REMAIN WITHIN DIMENSIONS			DRAWING SIZE	THIRD ANGLE PROJECTION		DOCUMENT NUMBER: SD-73252-009 DOC TYPE: PSD DOC PART: 000 SHEET NUMBER: 2 OF 2				
	= 0				C							