

**DESIGNED & DIMENSIONED
IN MILLIMETERS [INCHES]**

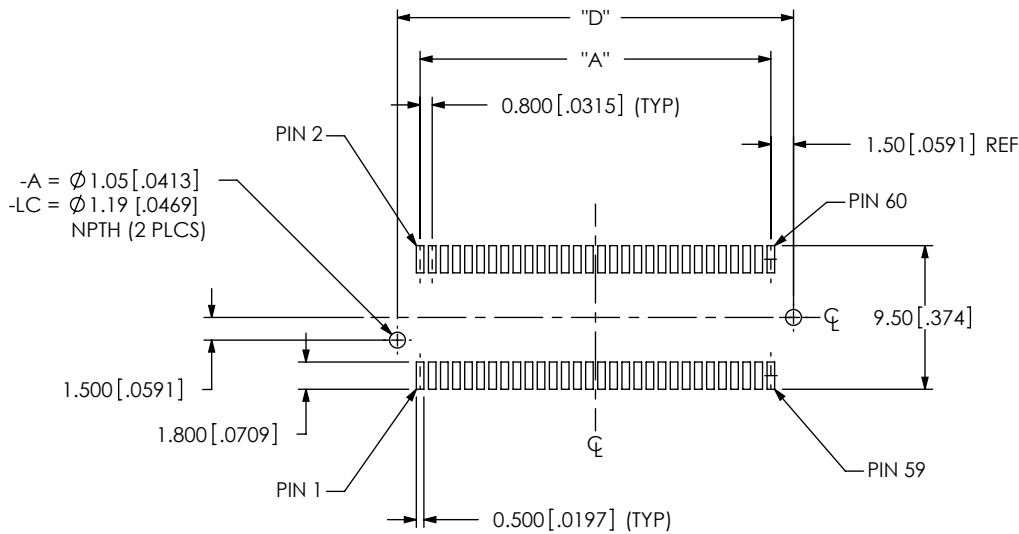
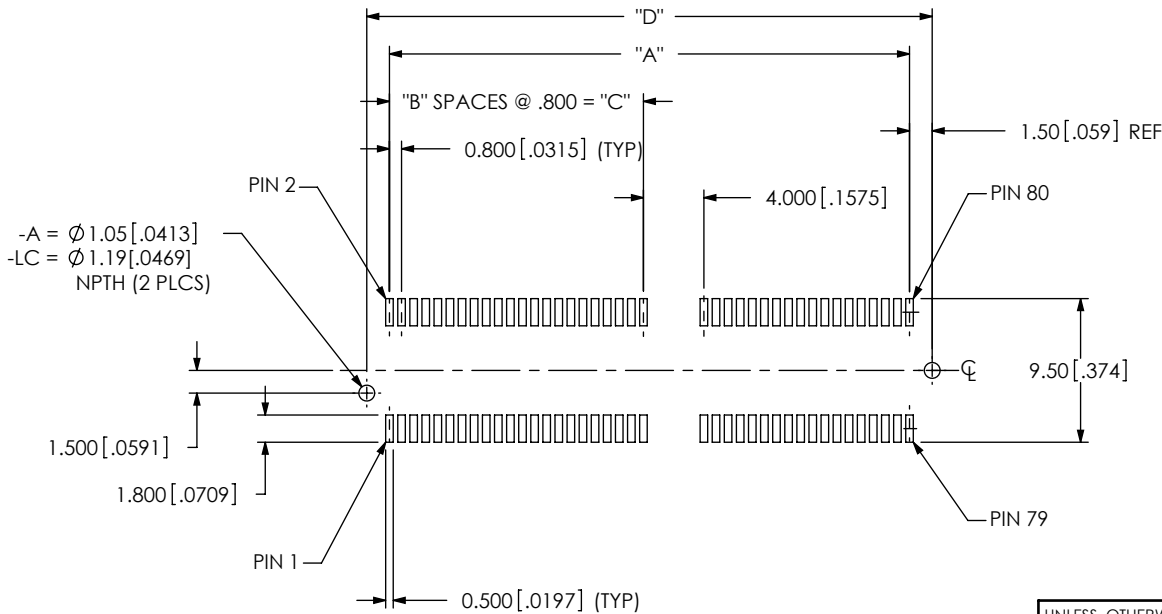


TABLE 1				
POSITIONS	"A"	"B"	"C"	"D"
-10	7.200 [.2835]	N/A	N/A	10.200 [.4016]
-20	15.200 [.5984]	N/A	N/A	18.200 [.7165]
-30	23.200 [.9134]	N/A	N/A	26.200 [1.0315]
-35	27.200 [1.0709]	N/A	N/A	30.200 [1.1890]
-40	34.400 [1.3543]	21	16.80 [.661]	37.400 [1.4724]
-45	38.400 [1.5118]	23	18.40 [.724]	41.400 [1.6299]
-50	42.400 [1.6693]	26	20.80 [.819]	45.400 [1.7874]
-60	50.400 [1.9843]	31	24.80 [.976]	53.400 [2.1024]
-70	58.400 [2.2992]	36	28.80 [1.134]	61.400 [2.4173]

NOTES:

- 1. MEASUREMENTS SYMMETRIC ABOUT CENTERLINE



NOTES:

- 1. MEASUREMENTS SYMMETRIC ABOUT CENTERLINE

UNLESS OTHERWISE SPECIFIED
TOLERANCES ARE:

DECIMALS

- .X: ±.3 [.01]
- .XX: ±.10 [.004]
- .XXX: ±.050 [.0020]

PROPRIETARY NOTE

THIS DOCUMENT CONTAINS INFORMATION
CONFIDENTIAL AND PROPRIETARY TO
SAMTEC, INC. AND SHALL NOT BE REPRODUCED
OR TRANSFERRED TO OTHER DOCUMENTS OR
DISCLOSED TO OTHERS OR USED FOR ANY
PURPOSE OTHER THAN THAT WHICH IT WAS
OBTAINED WITHOUT THE EXPRESSED WRITTEN
CONSENT OF SAMTEC, INC.



520 PARK EAST BLVD, NEW ALBANY, IN 47150
PHONE: 812-944-6733 FAX: 812-948-5047
e-Mail info@SAMTEC.com code 55322

**DESIGNED & DIMENSIONED
IN MILLIMETERS [INCHES]**

NOTE:
STENCIL TO BE .006[.15] THICK

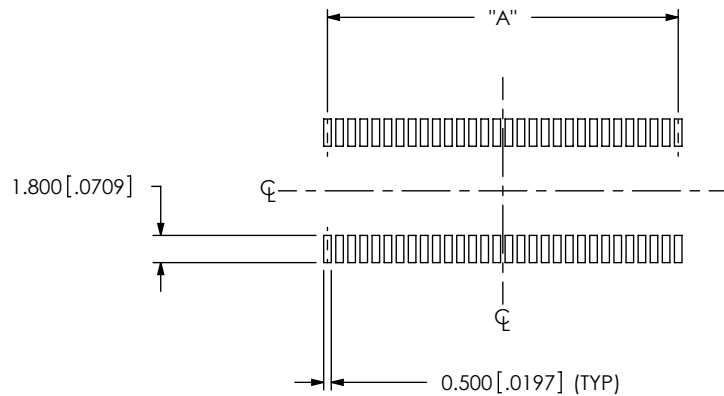


FIG 3
-30 POSITION SHOWN
(SAME AS FIG 1, EXCEPT AS SHOWN)
(USE FOR 10, 20 & 30 POSITIONS)

NOTE:
STENCIL TO BE .006[.15] THICK

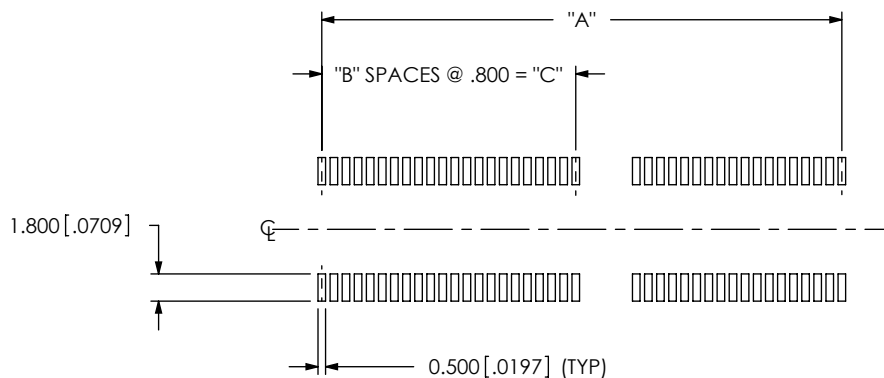


FIG 4
-40 POSITION SHOWN
(SAME AS FIG 2, EXCEPT AS SHOWN)
(USE FOR 40 THRU 70 POSITIONS)

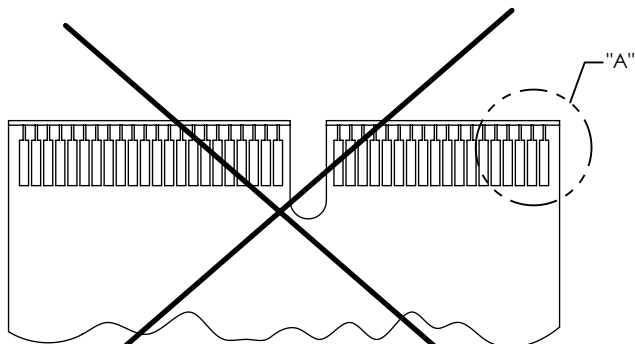
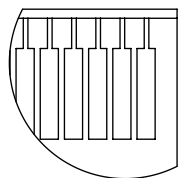
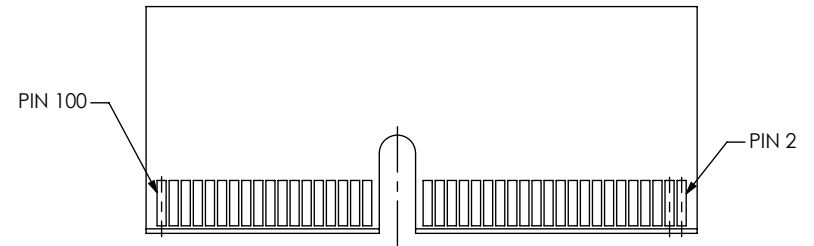
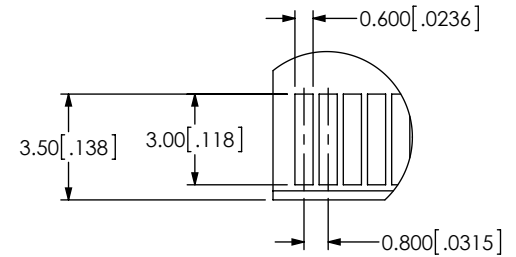
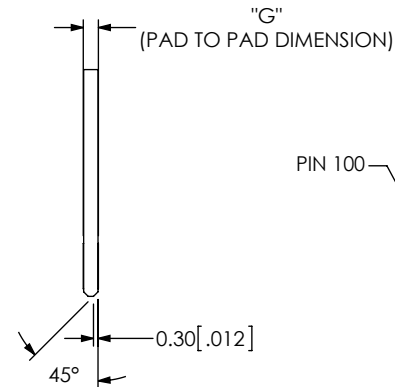
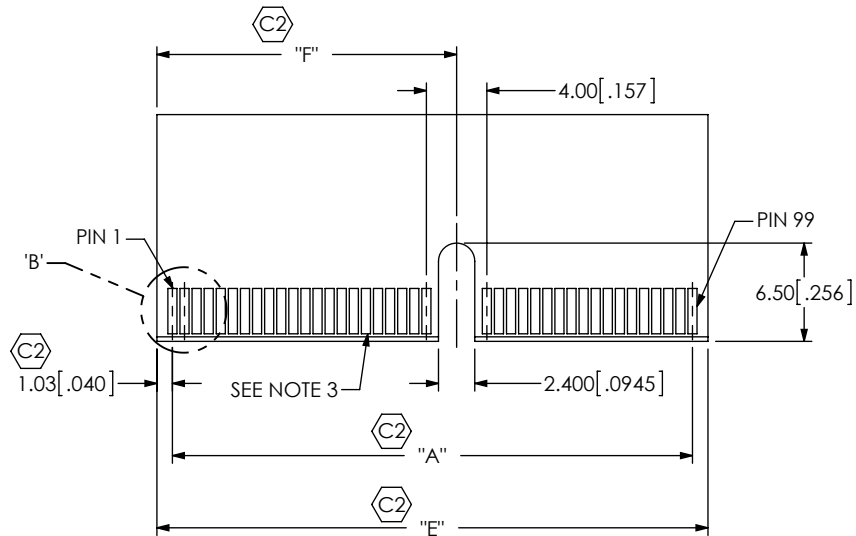
PROPRIETARY NOTE
THIS DOCUMENT CONTAINS INFORMATION
CONFIDENTIAL AND PROPRIETARY TO
SAMTEC, INC. AND SHALL NOT BE REPRODUCED
OR TRANSFERRED TO OTHER DOCUMENTS OR
DISCLOSED TO OTHERS OR USED FOR ANY
PURPOSE OTHER THAN THAT WHICH IT WAS
OBTAINED WITHOUT THE EXPRESSED WRITTEN
CONSENT OF SAMTEC, INC.



520 PARK EAST BLVD, NEW ALBANY, IN 47150
PHONE: 812-944-6733 FAX: 812-948-5047
e-Mail info@SAMTEC.com code 55322

MEC8 LEAD STYLE	"G"
-01	1.000[.0394] ± .100[.0039]
-02	1.600[.0630] ± .160[.0063]

**DESIGNED & DIMENSIONED
IN MILLIMETERS [INCHES]**



SEE NOTE 5

POSITIONS	"E"	"F"
-10	9.26 [.365]	N/A
-20	17.25 [.679]	N/A
-30	25.25 [.994]	N/A
-35	29.25 [1.152]	N/A
-40	36.45 [1.435]	19.83 [.781]
-45	40.45 [1.593]	21.43 [.844]
-50	44.45 [1.750]	23.83 [.938]
-60	52.45 [2.065]	27.83 [1.096]
-70	60.45 [2.380]	31.83 [1.253]

- NOTES:
- 10, -20 AND -30 CARDS HAVE NO SLOT.
 - ALL DIMENSIONS ARE SYMMETRIC ABOUT THE CENTERLINE.
 - PLATING TO BE .000030 INCHES GOLD WITH A HARDNESS OF 130-200 KNOOP PER ASTM B 488 TYPE 2, GRADE C.
 - (C) REPRESENTS CRITICAL DIMENSION.
 - FOR PROPER CONTACT REGISTRATION, PLATING BUS TIE TO BE THE WIDTH OF THE EDGE FINGER.

PROPRIETARY NOTE
THIS DOCUMENT CONTAINS INFORMATION CONFIDENTIAL AND PROPRIETARY TO SAMTEC, INC. AND SHALL NOT BE REPRODUCED OR TRANSFERRED TO OTHER DOCUMENTS OR DISCLOSED TO OTHERS OR USED FOR ANY PURPOSE OTHER THAN THAT WHICH IT WAS OBTAINED WITHOUT THE EXPRESSED WRITTEN CONSENT OF SAMTEC, INC.

samtec
520 PARK EAST BLVD, NEW ALBANY, IN 47150
PHONE: 812-944-6733 FAX: 812-948-5047
e-Mail info@SAMTEC.com code 55322