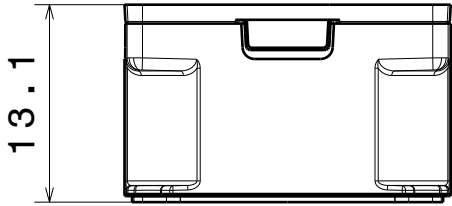


D

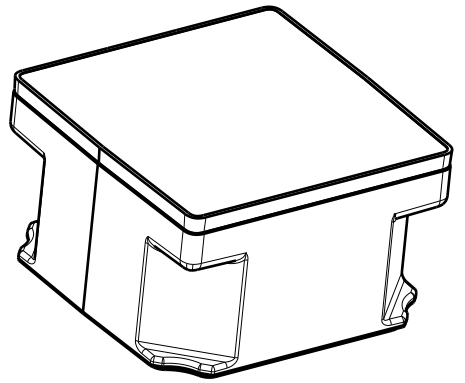
C

B

A

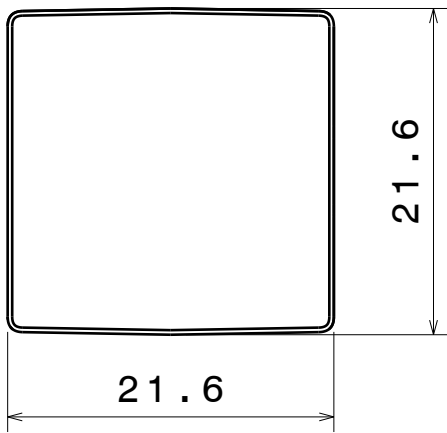


Front View

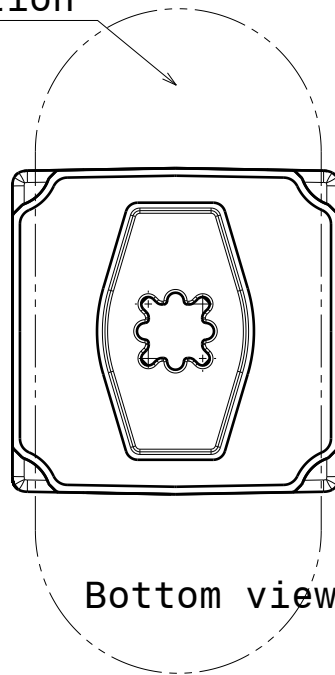


Isometric view

Oval Beam Direction



Top view



Bottom view

4

4

3

3

2

2

This drawing is our property.  
It can't be reproduced  
or communicated without  
our written agreement.



Ledil Oy  
Salorankatu 10  
FIN 24240 SALO  
Finland

DRAWING TITLE Mechanical Drawing

DRAWN BY  
ks

DATE  
08.11.2012

LAURA-XP

CHECKED BY  
as

DATE  
-

SIZE  
A4

PART NUMBER

REV  
001

DESIGNED BY  
-

DATE  
-

SCALE 2:1 WEIGHT

SHEET 1/1

D

A

1

1