

# C5750X7T2E225M250KE

TDK Item Description : C5750X7T2E225MT\*\*\*S

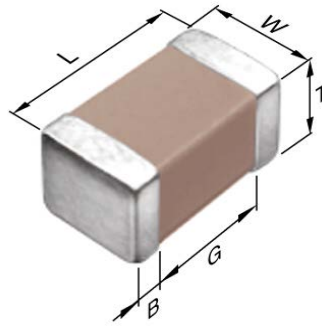


## Application & Main Feature

Commercial Grade ( Soft Termination )

## Series

C5750 [EIA CC2220]



## Dimensions

L	5.70mm +0.5,-0.4mm
W	5.00mm +/-0.4mm
T	2.50mm +/-0.3mm
B	0.20mm Min.
G	

## Temperature Characteristic

X7T (-55 to 125 degC +22,-33%)

## Rated Voltage

2E (250Vdc)

## Capacitance

2.2uF

## Capacitance Tolerance

M (+/-20%)

## Dissipation Factor

2.5% Max.

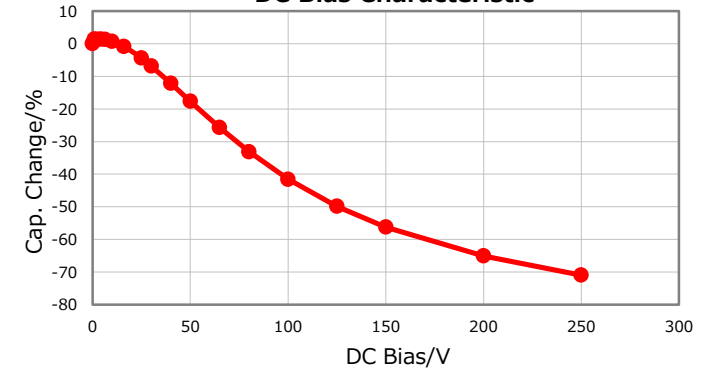
## Insulation Resistance

227Mohm Min.

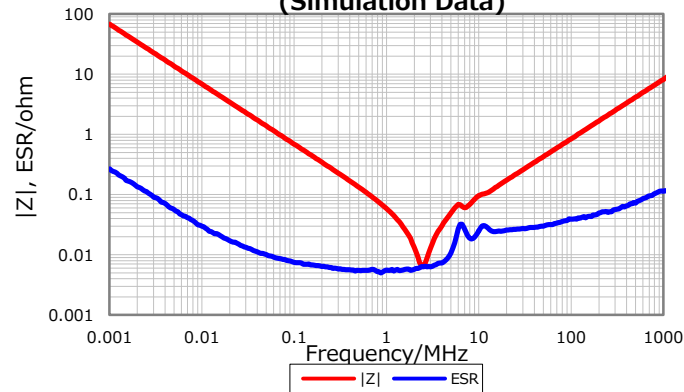
## AEC-Q200

Not Applicable

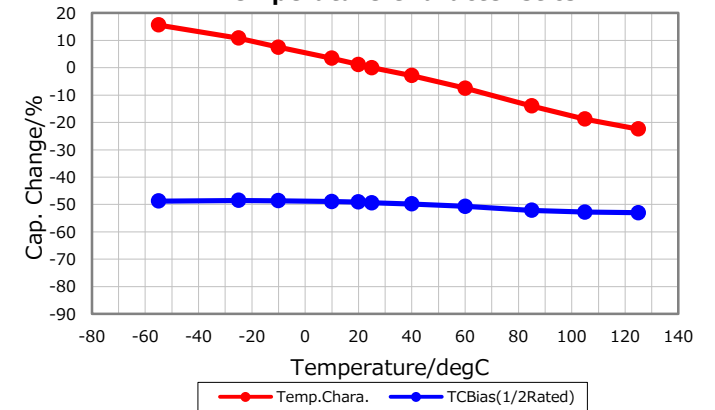
## DC Bias Characteristic



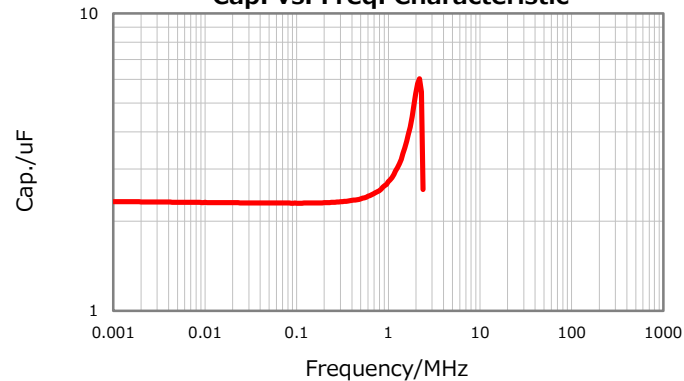
## |Z|, ESR vs. Freq. Characteristics (Simulation Data)



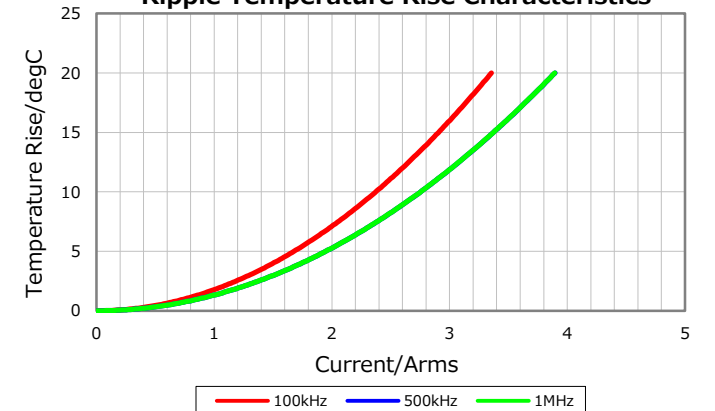
## Temperature Characteristics



## Cap. vs. Freq. Characteristic



## Ripple Temperature Rise Characteristics



Characterization Sheet ( Multilayer Ceramic Chip Capacitors )



All specifications are subject to change without notice.

March 16, 2017