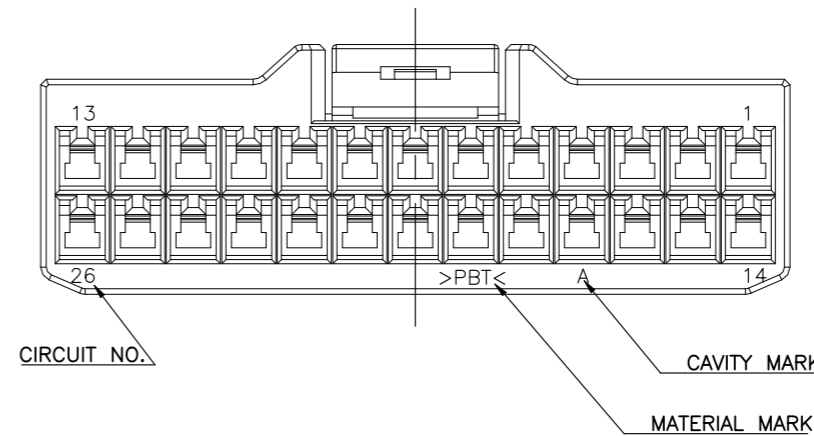
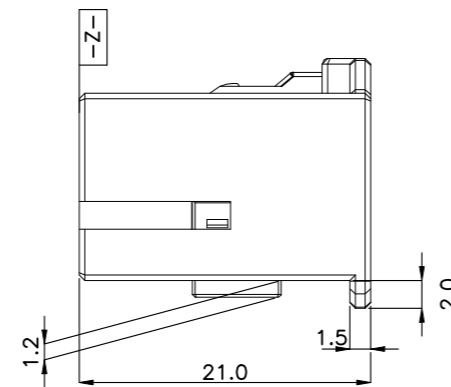
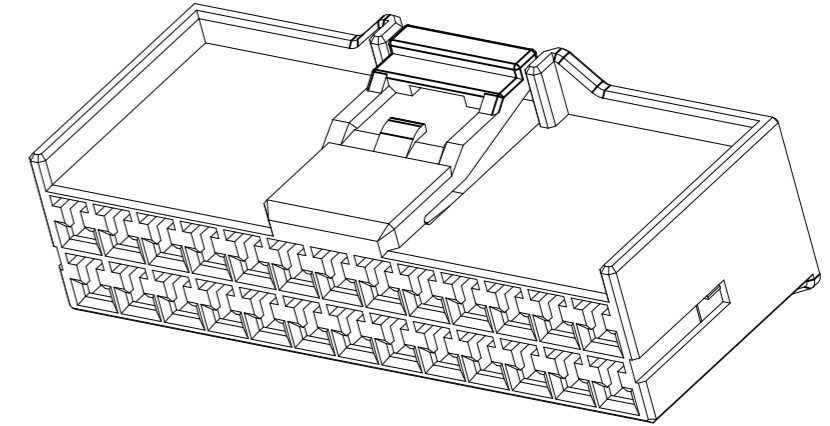
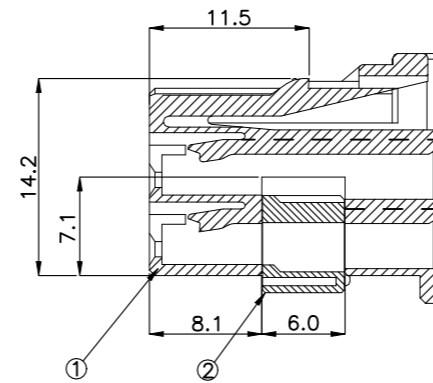
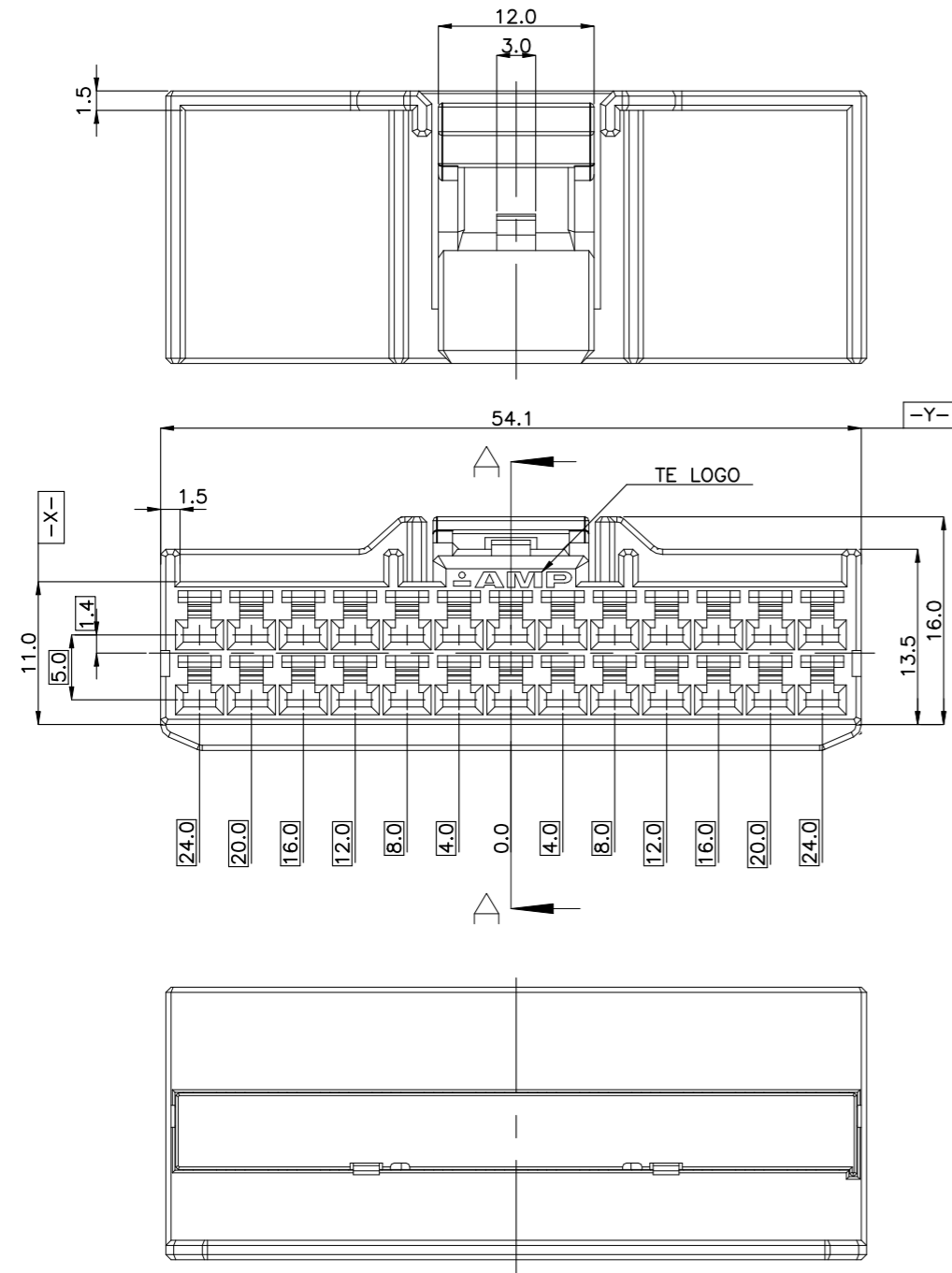


P	LTR	DESCRIPTION	DATE	DWN	APVD
	D2	REVISED (ECR-23-172163)	13APR2023	HG	YJ



ASSY P/N	QTY
0-936098-8	1
0-936098-7	1
0-936098-6	1
0-936098-5	1
0-936098-4	1
0-936098-3	1
0-936098-2	1

TOLERANCES UNLESS OTHERWISE SPECIFIED:

0 <XX<10	± 0.2
10 <XX<30	± 0.25
30 <XX	± 0.3
ANGLES	± 3°

NO	COLOR	MATERIAL	DESCRIPTION	P/N	QTY
1	BLUE	PBT	PLUG	0-936099-8	1
	GREEN	PBT	PLUG	0-936099-7	1
	RED	PBT	PLUG	0-936099-6	1
	YELLOW	PBT	PLUG	0-936099-5	1
	BROWN	PBT	PLUG	0-936099-4	1
	D/GRAY	PBT	PLUG	0-936099-3	1
	BLACK	PBT	PLUG	0-936099-2	1
	NATURAL	PBT	PLUG	0-936099-1	1
2	NATURAL	PBT	DBL	0-936100-1	1 1 1 1 1 1 1 1

NOTES.
 1. THE MATING HSG. P/N ; 936133
 2. APPLIED CONTACT P/N ;
 090 II REC.- 368083,368084,368085
 090 III REC.- 1743654,1743655,1743656,1897753,1897598

-주 기-
 1. 상대 하우징 P/N. ; 936133
 2. 적용단자 P/N. ; 090 II REC.- 368083,368084,368085
 090 III REC.- 1743654,1743655,1743656,1897753,1897598

THIS DRAWING IS A CONTROLLED DOCUMENT.

DIMENSIONS: mm	TOLERANCES UNLESS OTHERWISE SPECIFIED:	DWN JM JEON	TE Connectivity 090III 26P PLUG ASS'Y
	0 PLC ± - 1 PLC ± - 2 PLC ± - 3 PLC ± - 4 PLC ± - ANGLES ± -	CHK JW JUNG	
MATERIAL SEE TABLE	FINISH -	APVD HG CHO	
		PRODUCT SPEC	
		APPLICATION SPEC	NAME
		WEIGHT 0	SIZE A3
		CUSTOMER DRAWING	CAGE CODE 00779
			DRAWING NO G-936098
			RESTRICTED TO
			SCALE 2:1
			SHEET 1 OF 1
			REV D2