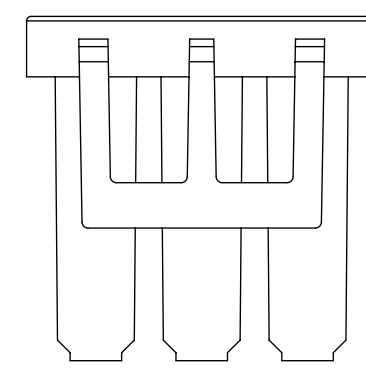
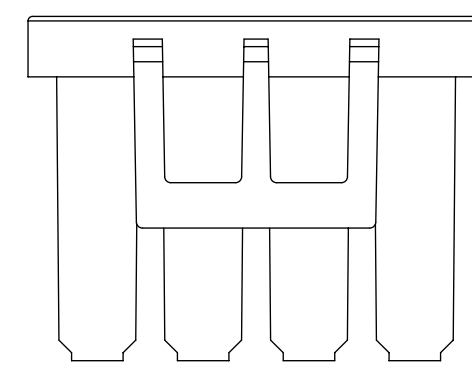


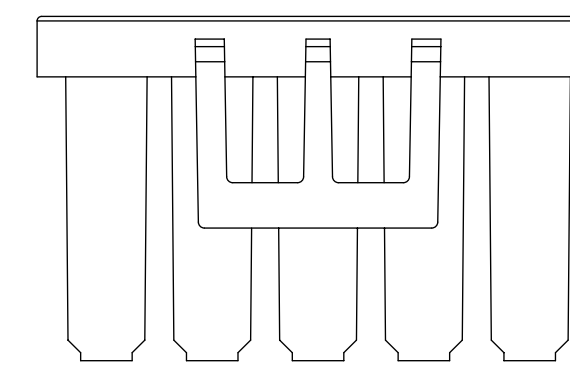
2 CKT



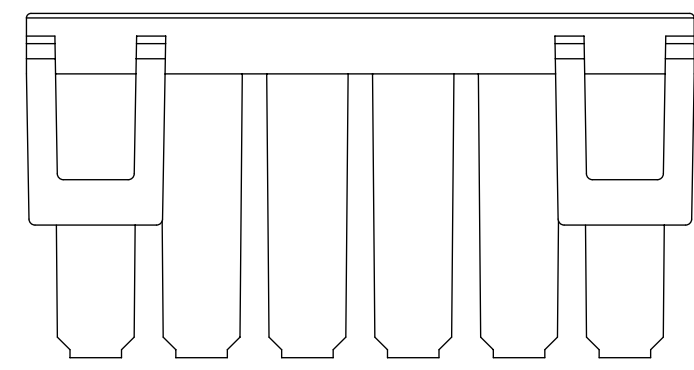
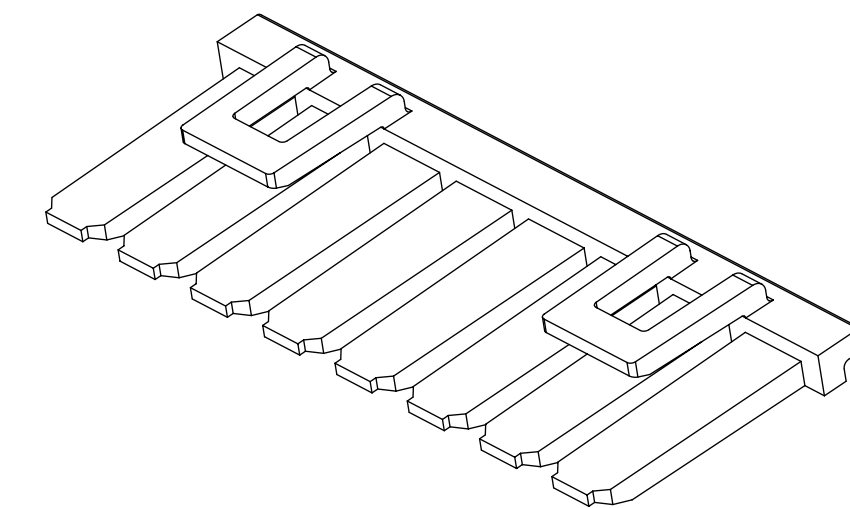
3 CKT



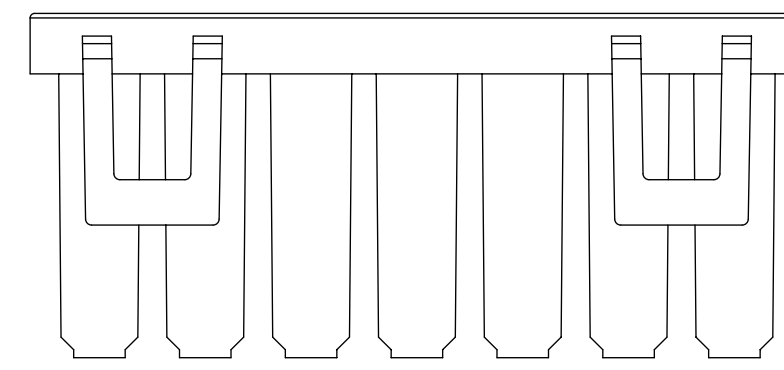
4 CKT



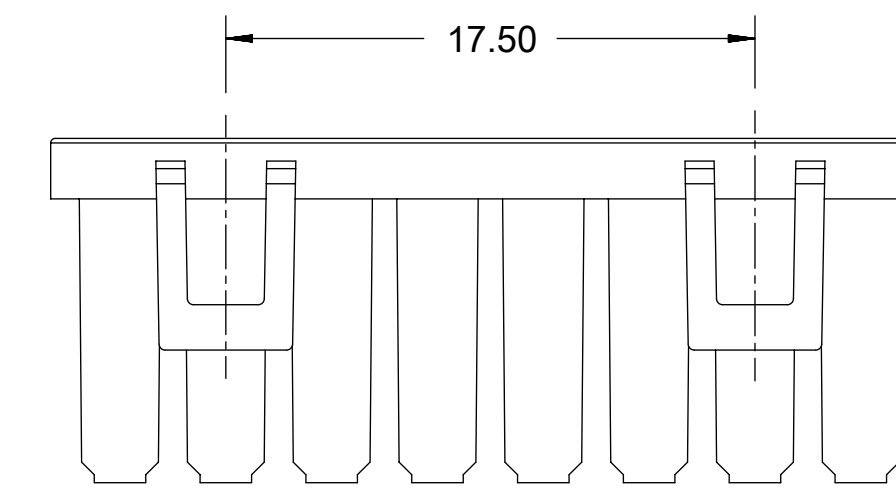
5 CKT



6 CKT



7 CKT



8 CKT

TPA

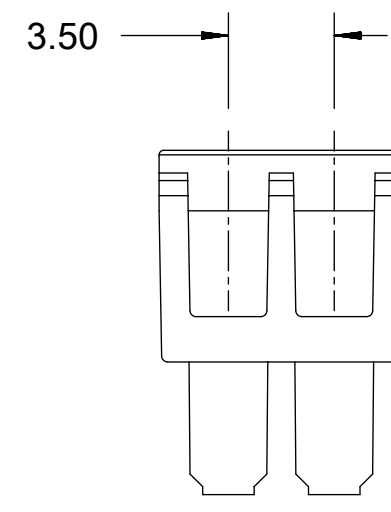
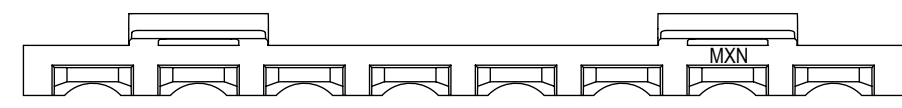
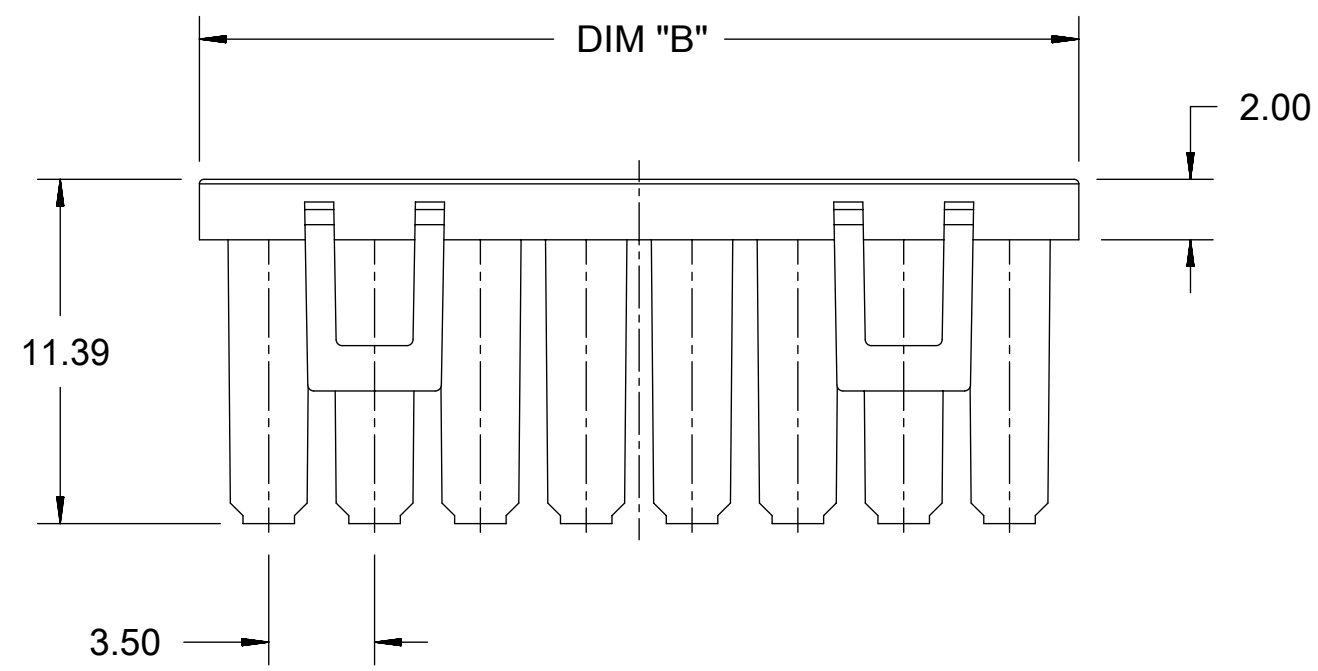
PART NO.	UL	COLOR	CIRCUIT SIZE	DIM B
172264-1002	V-0	BLACK	2	8.08
172264-1003	V-0	BLACK	3	11.58
172264-1004	V-0	BLACK	4	15.08
172264-1005	V-0	BLACK	5	18.58
172264-1006	V-0	BLACK	6	22.08
172264-1007	V-0	BLACK	7	25.58
172264-1008	V-0	BLACK	8	29.20
172264-2002	V-0	NATURAL	2	8.08
172264-2003	V-0	NATURAL	3	11.58
172264-2004	V-0	NATURAL	4	15.08
172264-2005	V-0	NATURAL	5	18.58
172264-2006	V-0	NATURAL	6	22.08
172264-2007	V-0	NATURAL	7	25.58
172264-2008	V-0	NATURAL	8	29.20

NOTES:

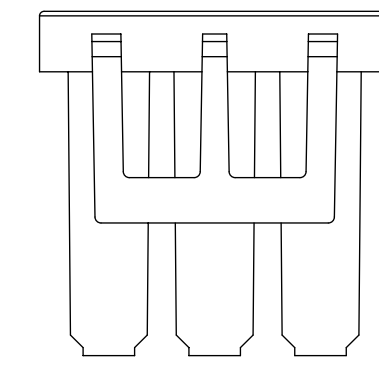
- MATERIAL :
OPTION 1: NYLON UL94 V-O, BLACK
OPTION 2: NYLON UL94 V-O, NATURAL
- PARTS TO BE PACKAGED PER PK-172323-0009
- PRODUCT SPECIFICATION PS-172323-0001
- PART USED WITH MOLEX RECEPTACLE HOUSING
172256 AND 172258
- REFER TO AS-45499-001 FOR MOISTURING NYLON CONNECTOR PARTS
- PARTS CONFORM TO CLASS "B" REQUIREMENTS OF COSMETIC SPECIFICATION PS-45499-002
- APPLICATION SPECIFICATION: AS-172323-0001
- MOLEX RECOMMENDS USING A NATURAL COLOR TPA FOR BLACK COLOR HOUSING AND A BLACK COLORED TPA FOR NATURAL COLORES HOUSINGS TO AID INSPECTION AFTER ASSEMBLY.

QUALITY SYMBOLS 	THIS DRAWING CONTAINS INFORMATION THAT IS PROPRIETARY TO MOLEX ELECTRONIC TECHNOLOGIES, LLC AND SHOULD NOT BE USED WITHOUT WRITTEN PERMISSION				
	EC NO: 103949 DRWN: PPerez03 CHKD: RHODGE REV APPR: RHODGE 2016/03/31 2016/04/05 2016/03/31	GENERAL TOLERANCES (UNLESS SPECIFIED) ANGULAR TOL ± °		DIMENSION UNITS: mm SCALE: 4:1	 ULTRA-FIT TPA PRODUCT CUSTOMER DRAWING
		4 PLACES ± 3 PLACES ± 2 PLACES ± 0.25 1 PLACE ± 0.5 0 PLACES ±		DRWN BY: DROSCA DATE: 2014/04/10 CHKD BY:	
		DRAFT WHERE APPLICABLE MUST REMAIN WITHIN DIMENSIONS		APPR BY: JCOMERCI DATE: 2014/04/24 DRAWING SIZE: D THIRD ANGLE PROJECTION	
SERIES: 172264 MATERIAL NUMBER: SD-172264-0001 CUSTOMER: GENERAL MARKET		DOCUMENT NUMBER: PSD DOC PART: 000 SHEET NUMBER: 1 OF 1			

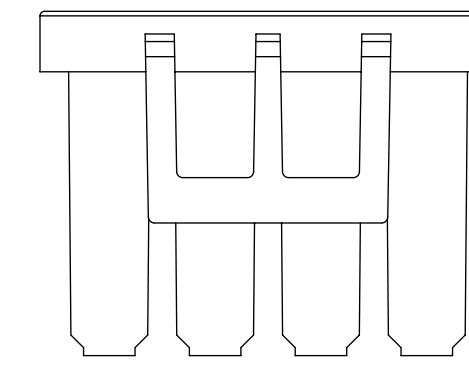
RELEASE STATUS	RELEASE DATE
----------------	--------------



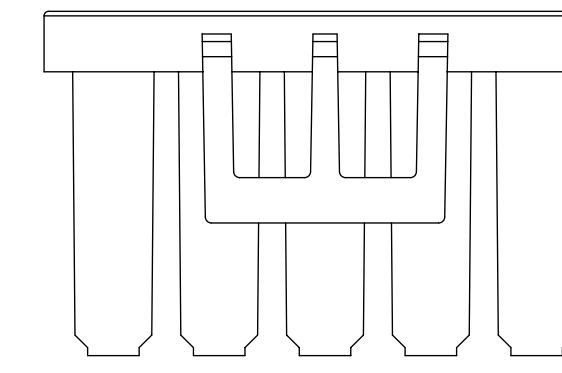
2 CKT



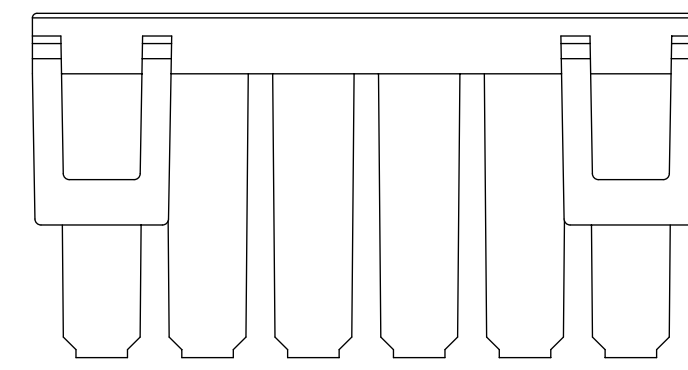
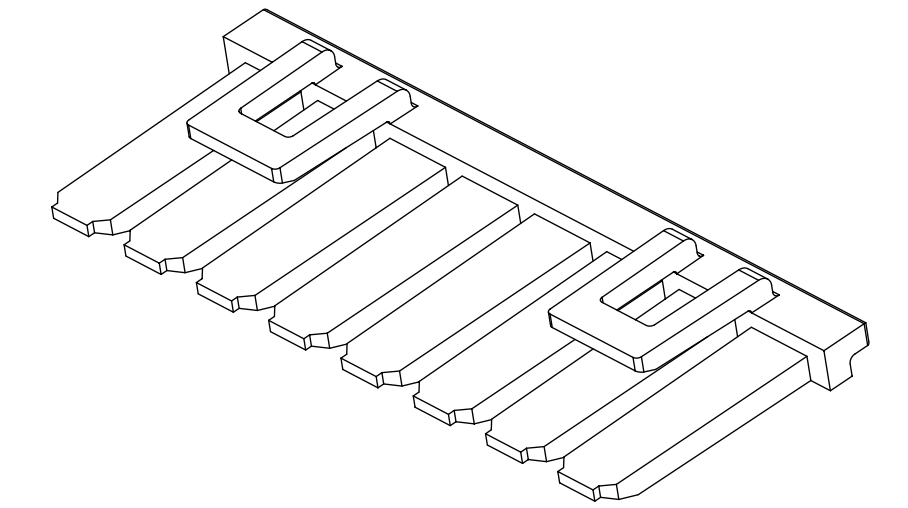
3 CKT



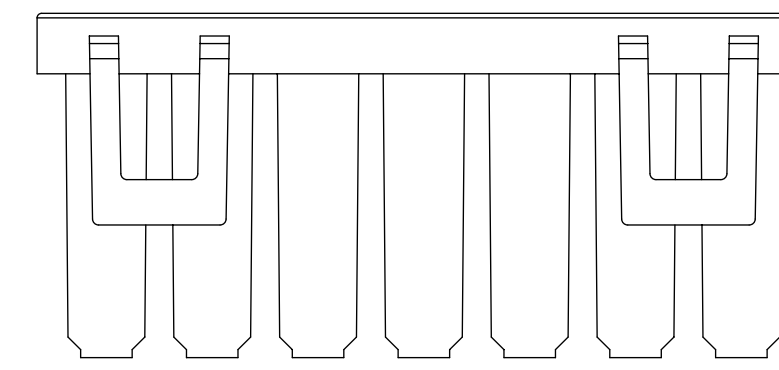
4 CKT



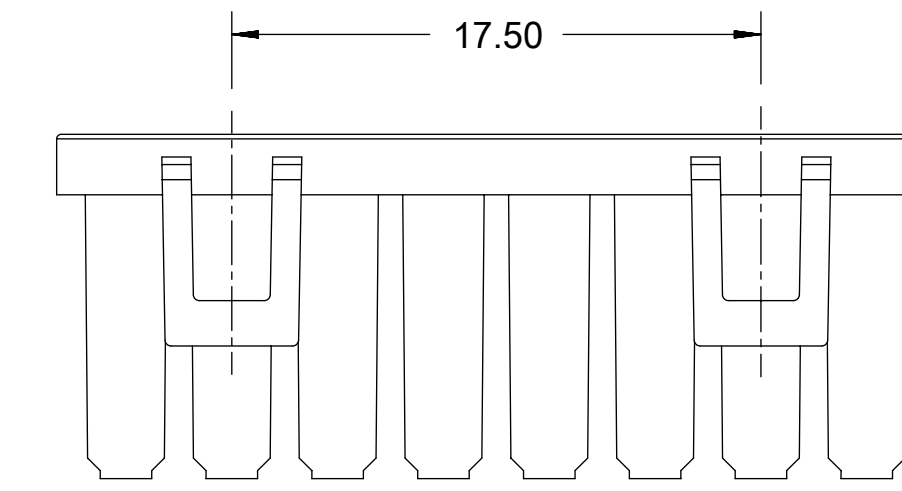
5 CKT



6 CKT



7 CKT



8 CKT

TPA

NOTES:

- MATERIAL :
OPTION 1: NYLON GLOW WIRE BLACK
OPTION 2: NYLON GLOW WIRE NATURAL
- PARTS TO BE PACKAGED PER PK-172323-0009
- PRODUCT SPECIFICATION PS-172323-0001
- PART USED WITH MOLEX RECEPTACLE HOUSING 172258 AND 172256
- REFER TO AS-45499-001 FOR MOISTURING NYLON CONNECTOR PARTS
- PARTS CONFORM TO CLASS "B" REQUIREMENTS OF COSMETIC SPECIFICATION PS-45499-002
- APPLICATION SPECIFICATION: AS-172323-0001
- MOLEX RECOMMENDS USING A NATURAL COLOR TPA FOR BLACK COLOR HOUSING AND A BLACK COLORED TPA FOR NATURAL COLORES HOUSINGS TO AID INSPECTION AFTER ASSEMBLY.

PART NO.	GW	COLOR	CIRCUIT SIZE	DIM B
172268-1002	GW	BLACK	2	8.08
172268-1003	GW	BLACK	3	11.58
172268-1004	GW	BLACK	4	15.08
172268-1005	GW	BLACK	5	18.58
172268-1006	GW	BLACK	6	22.08
172268-1007	GW	BLACK	7	25.58
172268-1008	GW	BLACK	8	29.20
172268-2002	GW	NATURAL	2	8.08
172268-2003	GW	NATURAL	3	11.58
172268-2004	GW	NATURAL	4	15.08
172268-2005	GW	NATURAL	5	18.58
172268-2006	GW	NATURAL	6	22.08
172268-2007	GW	NATURAL	7	25.58
172268-2008	GW	NATURAL	8	29.20

QUALITY SYMBOLS 	THIS DRAWING CONTAINS INFORMATION THAT IS PROPRIETARY TO MOLEX ELECTRONIC TECHNOLOGIES, LLC AND SHOULD NOT BE USED WITHOUT WRITTEN PERMISSION				
	EC NO: 103949 DRWN: PPerez03 CHKD: RHODGE REV APPR: RHODGE	GENERAL TOLERANCES (UNLESS SPECIFIED) DIMENSION UNITS: mm SCALE: 4:1 ANGULAR TOL ± °		DRWN BY: DROSCA DATE: 2014/09/15	
		4 PLACES ± 3 PLACES ± 2 PLACES ± 0.25 1 PLACE ± 0.5 0 PLACES ±		CHKD BY: _____ DATE: _____	
		DRAFT WHERE APPLICABLE MUST REMAIN WITHIN DIMENSIONS		APPR BY: RHODGE DATE: 2014/09/25	
A4		DIMENSION UNITS: mm SCALE: 4:1 DRWN BY: DROSCA DATE: 2014/09/15 CHKD BY: _____ DATE: _____ APPR BY: RHODGE DATE: 2014/09/25		 ULTRA-FIT TPA, GW PRODUCT CUSTOMER DRAWING	
SERIES: 172268 MATERIAL NUMBER: SD-172268-0001 CUSTOMER: GENERAL MARKET		DRAWING SIZE: D THIRD ANGLE PROJECTION		DOCUMENT NUMBER: SD-172268-0001 DOC TYPE: PSD DOC PART: 000 SHEET NUMBER: 1 OF 1	

RELEASE STATUS	RELEASE DATE