

ENTER DESCRIPTION EC NO: DG2006-0186 DRWN:PDAI CHKD: APPR:TKAN	2006/03/09 2006/03/09 2006/03/10	DESCRIPTION REV	QUALITY SYMBOLS ▽=0 ◻=0	GENERAL TOLERANCES (UNLESS SPECIFIED)		DIMENSION STYLE MM/IN		SCALE ---	DESIGN UNITS METRIC	THIRD ANGLE PROJECTION			
			4 PLACES ± --- ± ---	3 PLACES ± --- ± ---	2 PLACES ± --- ± ---	1 PLACE ± --- ± ---	ANGULAR ± ---°	DRAWN BY PDAI	DATE 2006/03/07	TITLE DVI_A(M)-VGA(F) ADAPTER			
			DRAFT WHERE APPLICABLE MUST REMAIN WITHIN DIMENSIONS			APPROVED BY BORON	DATE 2006/03/07	MATERIAL NO. 88741-8700		DOCUMENT NO. SD-88741-008		SHEET NO. 1 OF 2	
			THIS DRAWING CONTAINS INFORMATION THAT IS PROPRIETARY TO MOLEX INCORPORATED AND SHOULD NOT BE USED WITHOUT WRITTEN PERMISSION					MOLEX MOLEX INCORPORATED					

NOTE:1. MOLD WITH SNOW WHITE PVC RESIN 887800077 FOR ADAPTOR COVER.
 2. DVI CONNCETOR SPECIFICATION
 2.1 REFER TO PRODUCT SPEC. PS74320-0001.
 2.2 CONTACT PLATING: AU FLASH.
 3. ELECTRICAL PERFORMANCE
 3.1 INSULATION RESISANCE: 20 M Ohms Min
 3.2 DIELECTRIC STRENGTH: 300V DC FOR 10 MILLISECONDS.
 3.3 IMPEDANCE: 75 ± 10%Ohms ON THE CO-AXIAL WIRES.
 4. ADAPTOR SPECIFICATION
 4.1 REFER TO PRODUCT SPEC. PS88741-8700.
 5. THIS PRODUCT MUST MEET MX RoHS COMPLIANCE.

6. CONNECTION DIAGRAM

SHIELD	SHIELD	GROUND
PIN R6,G7,B8	C 5	ANLOG GROUND
PIN 13	C 4	HORIZONTAL SYNC
PIN 3	C 3	ANLOG
PIN 2	C 2	ANLOG
PIN 1	C 1	ANLOG
PIN 5,10	PIN 15	GROUND(+5V & HV SYNC)
PIN 9	PIN 14,16	POWER +5V/HOT PLUG DETECT
PIN 14	PIN 8	VERTICAL SYNC
PIN 12	PIN 7	DDC DATA
PIN 15	PIN 6	DDC CLOCK
VGA	DVI_A	CABLE FUNCTION

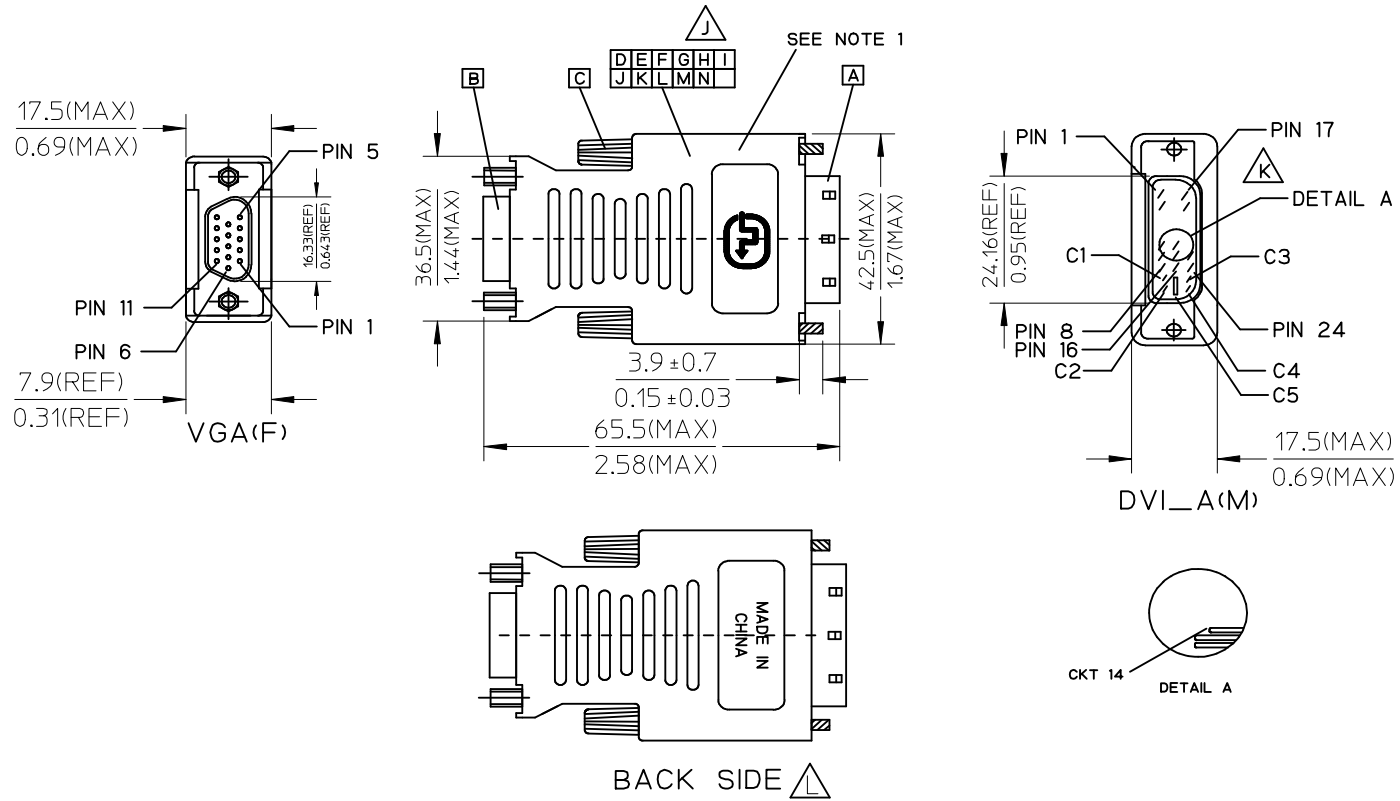
7. MATERIAL LIST

C	SCREW (WHITE) 887806002
B	FEMALE 15C D-SUB CONNECTOR 887899318
A	DVI_A G/F CONNECTOR 743230011
ITEM	DESCRIPTION

ENTER DESCRIPTION EC NO: DG2006-0186 DRWN:PDAI CHKD: APPR:TKAN	2006/03/09 2006/03/09 2006/03/10	QUALITY SYMBOLS =0 =0	GENERAL TOLERANCES (UNLESS SPECIFIED)		DIMENSION STYLE MM/IN		SCALE ---	DESIGN UNITS METRIC	THIRD ANGLE PROJECTION	
				4 PLACES ± --- mm ± --- INCH	DRAWN BY PDAI	DATE 2006/03/07	TITLE DVI_A(M)-VGA(F) ADAPTER			
				3 PLACES ± --- mm ± --- INCH	CHECKED BY ZXDENG	DATE 2006/03/07	MOLEX INCORPORATED			
				2 PLACES ± --- mm ± --- INCH 1 PLACE ± --- mm ± --- INCH ANGULAR ± ---°	APPROVED BY BORON	DATE 2006/03/07	MATERIAL NO. 88741-8700	DOCUMENT NO. SD-88741-008	SHEET NO. 2 OF 2	
DRAFT WHERE APPLICABLE MUST REMAIN WITHIN DIMENSIONS			THIS DRAWING CONTAINS INFORMATION THAT IS PROPRIETARY TO MOLEX INCORPORATED AND SHOULD NOT BE USED WITHOUT WRITTEN PERMISSION							

REVISIONS

ECN NO	REVISION	DATE	DESCRIPTION	CHANGER
CY12-8394	J	FEB.08.12	THE CUSTOMER REQUIRE ADD HST TO THE RGB WIRE	TLIN
CY13-6281	K	MAR.20.13	ADD ERROR-PROOF STRUCTURE IN THE OUTER COVER	TLIN
CY14-6482	L	APR.14.14	UPDATE BACK VIEW	AHOU



ENTER DESCRIPTION EC NO: CPG2014-3142 DRWN: XJGU001 CHKD: AHOU APPR: FNIE	QUALITY SYMBOLS □=0 □=0 □=0	GENERAL TOLERANCES (UNLESS SPECIFIED)		DIMENSION STYLE		SCALE	DESIGN UNITS	THIRD ANGLE PROJECTION
				MM/IN			METRIC	
				DRAWN BY DATE		TITLE		
				CHECKED BY DATE		DVI_A(M)-VGA(F) ADAPTOR		
DESCRIPTION REV			APPROVED BY DATE					
			XAWANG 2013/04/12					
			MATERIAL NO.		DOCUMENT NO.		SHEET NO.	
			887418700		SD-88741-8700		1 OF 2	
		ANGULAR ± 3 °		SIZE		THIS DRAWING CONTAINS INFORMATION THAT IS PROPRIETARY TO MOLEX INCORPORATED AND SHOULD NOT BE USED WITHOUT WRITTEN PERMISSION		
		DRAFT WHERE APPLICABLE MUST REMAIN WITHIN DIMENSIONS		A 4				

7

6

5

4

3

2

1

NOTES:

1. MATERIAL:

1.1 MOLD WITH SNOW WHITE PVC RESIN FOR ADAPTOR COVER.

2. DVI CONNECTOR SPECIFICATION:

2.1 REFER TO PRODUCT SPEC. PS74320-0001.

2.2 CONTACT PLATING: GOLD FLASH.

3.ELECTRICAL PERFORMANCE:

3.1 INSULATOR RESISTANCE: 20M OHMS MIN.

3.2 DIELECTRONIC STRENGTH: 300V DC FOR 10 MILLISECONDS.

3.3 IMPEDANCE: 75±10% OHMS ON THE CO-AXIAL WIRES.

4.THIS PRODUCT MUST MEET THE EU RoHS CHEMICAL

SUBSTANCES SPECIFICATION FOR PRODUCT(EU 2002/95/EC)

SHIELD	SHIELD	GROUND
PIN R6.G7.B8	C 5	ANLOG GROUND
PIN 13	C 4	HORIZONTAL SYNC
PIN 3	C 3	ANLOG
PIN 2	C 2	ANLOG
PIN 1	C 1	ANLOG
PIN 5,10	PIN 15	GROUND(+5V & HV SYNC)
PIN 9	PIN 14,16	POWER +5V/HOT PLUG DETECT
PIN 14	PIN 8	VERTICAL SYNC
PIN 12	PIN 7	DDC DATA
PIN 15	PIN 6	DDC CLOCK
VGA	DVI_A	CABLE FUNCTION

ITEM	DESCRIPTION	L	QTY.
N	HOT SHRINK TUBE	A/R	3
M	UL1061 AWG28 BROWN	A/R	1
L	UL1061 AWG28 GREEN	A/R	1
K	UL1061 AWG28 YELLOW	A/R	1
J	UL1061 AWG28 ORANGE	A/R	1
I	UL1061 AWG28 RED	A/R	1
H	UL1061 AWG28 BLACK	A/R	1
G	COAXIAL #30 RED	A/R	1
F	COAXIAL #30 GREEN	A/R	1
E	COAXIAL #30 BLUE	A/R	1
D	COPPER FOIL		1
C	SCREW (WHITE)		2
B	FEMALE 15C D-SUB CONNECTOR		1
A	DVI_A G/F CONNECTOR		1

ENTER DESCRIPTION EC NO: CPG2014-3142 DRW: XJGU001 CHKD: AHO APPR: FNIE	DESCRIPTION REV	QUALITY SYMBOLS	GENERAL TOLERANCES (UNLESS SPECIFIED)		DIMENSION STYLE MM/IN		SCALE 1:1	DESIGN UNITS METRIC	THIRD ANGLE PROJECTION		
		F=0 F=0 F=0	4 PLACES	± ---	± ---	DRAWN BY XJGU001	DATE 2013/04/10	TITLE DVI_A(M)-VGA(F) ADAPTOR			
			3 PLACES	± ---	± ---	CHECKED BY HW.GAO	DATE 2013/04/10				
			2 PLACES	± 0.25	± ---	APPROVED BY XAWANG	DATE 2013/04/12				
		1 PLACE	± 0.5	± ---	MATERIAL NO. 887418700		DOCUMENT NO. SD-88741-8700		SHEET NO. 2 OF 2		
		0 PLACE	± ---	± ---	THIS DRAWING CONTAINS INFORMATION THAT IS PROPRIETARY TO MOLEX INCORPORATED AND SHOULD NOT BE USED WITHOUT WRITTEN PERMISSION						
		ANGULAR ± 3 °		DRAFT WHERE APPLICABLE MUST REMAIN WITHIN DIMENSIONS							

6

5

4

3

2

1