



ADS-93X Timing Generator Board User's Manual

ON Semiconductor®

<http://onsemi.com>

EVAl BOARD USER'S MANUAL

Timing Generator Board Description

This Timing Generator Board is designed to be part of a two-board set, used in conjunction with an ON Semiconductor CCD Imager Evaluation Board. ON Semiconductor offers a variety of CCD Imager Boards that have been designed to operate with this Timing Generator Board. For more information on the available Imager Evaluation Boards, see the ON Semiconductor contact information at the end of this document.

The Timing Generator Board generates the timing signals necessary to operate Truesense Imaging Imager Boards, and also provides the power required by these Imager Boards via the board interface connector (J4). In addition, the Timing Generator Board performs the signal processing and digitization of the analog output from the Imager Board. The analog output of the Imager Board is connected to the Timing Generator Board via coaxial cable.

The Timing Generator Board contains an Altera Programmable Logic Device (PLD) that can be In-System-Programmed (ISP) with code that is imager specific. This provides flexibility to operate many different Imager Boards with the same Timing Generator Board.

The Timing Generator Board has a digital Input interface to the Altera device that can be used to support various modes of operation depending on imager specific Altera code.

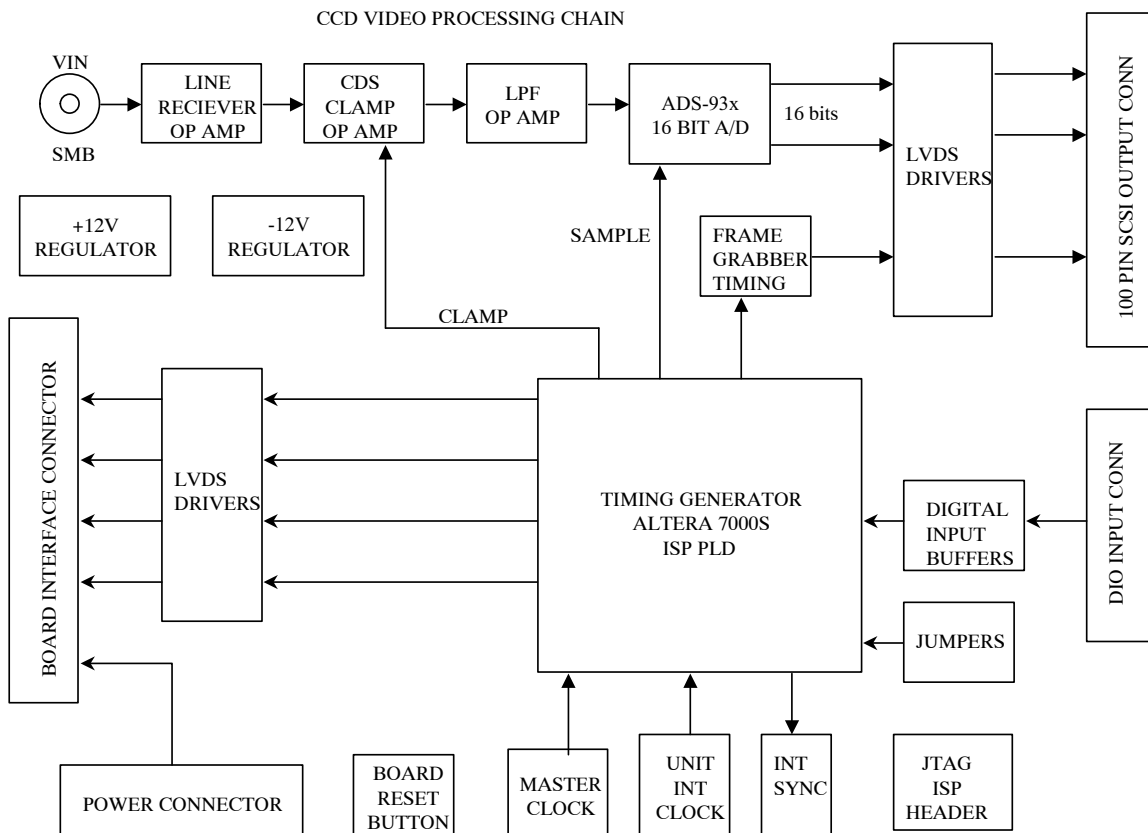


Figure 1. Generator Board Block Diagram

TIMING GENERATOR BOARD INPUT REQUIREMENTS

Table 1. POWER SUPPLY INPUT REQUIREMENTS

Power Supplies	Minimum	Typical	Maximum	Units
+5 V Supply	4.9	5	5.1	V
		500		mA
-5 V Supply	-5.1	-5	-4.9	V
		150		mA
VPLUS Supply	18	20	24	V
		25		mA
VMINUS Supply	-21	-20	-18	V
		15		mA

TIMING GENERATOR BOARD ARCHITECTURE OVERVIEW

The following sections describe the functional blocks of the Timing Generator Board. See Figure 1 for an overall block diagram of the Timing Generator Board.

Power Connector

This connector provides the necessary power supply inputs to the Timing Generator Board. The connector also provides the power needed by the CCD Imager Boards. The Timing Generator Board simply routes these power supplies from the power connector to the board interface connector. Table 1 shows the power supply requirements for the timing generator board. This is not the total power requirement since this board is always used in conjunction with an image sensor board. The current requirements for the image sensor board are contained in its manual, and need to be added to the values listed in Table 1 to arrive at the total system power requirement. The “VPLUS Supply” voltage value can vary from 20 to 24 volts depending on the specific imager board. Consult the image sensor board manual for the required value.

Power Supply Filtering

Power supplied to the board is de-coupled and filtered with ferrite beads and capacitors in order to suppress noise.

Table 2. TIMING BOARD CLOCK RATES

Timing Board PN	Master Clock	Pixel Clock (Max)
3E8290	48 MHz	3 MHz

Unit Integration Clock

The unit integration clock is used as a means for varying the integration time. The clock circuit consists of a 555 timer configured to oscillate at a frequency of 100 Hz. The output of this circuit, the INTEGRATE_CLK, has a 10 ms period, which is used by the Altera PLD as the unit integration time. When the Timing Generator Board is configured to operate in the internal integration mode, the integration time is

controlled by the Timing Generator Board and will be a multiple of this unit integration time. The actual integration time is dependent on how the integration control lines on the digital input connector are configured, as well as on how the Altera PLD is programmed.

Voltage Regulators

The operational amplifiers in the CCD video processing chain require ± 12 V power supplies. These power supply voltages are regulated down from the VPLUS and VMINUS supplies input to the Timing Generator Board.

Power-On Clear / Board Reset

The Altera Programmable Logic Device (PLD) resets and initializes the board on power-up, or when the BOARD RESET button is pressed. The default configuration is defined separately for each particular CCD Image Sensor, and is detailed in the associated Altera Code Timing Specification.

Master Clock

The master clock is used to generate the pixel rate clocks. The pixel rate timing signals operate at a frequency that is divided down from the master clock frequency. The exact pixel rate frequency is Altera code dependent, but is typically equal to 1/16 the frequency of the master clock.

Integration Sync Output Connector

This output provides a signal that is high during the integration time period. This signal can be used to synchronize an external shutter or LED light source with the integration time period.

Digital Input Connector (Remote Digital Input Control)

The digital input connector can be used to input control signals to the evaluation board. These control signals can be used to adjust the operating mode of the evaluation board. The functions of the digital inputs depend on what code the Altera device is programmed with. This is an optional feature. No external digital inputs are required for board operation.

The digital input control lines to the board are buffered. The input pins to the buffer IC's are weakly held low by pull down resistors to GND. Therefore, with no digital inputs, the default level of the Timing Generator Board control lines is all zeros.

A three wire serial interface is also provided on the input connector. This interface consists of three lines, a serial clock, serial data, and a serial load signal. The serial interface is provided as an alternate way to adjust the operating condition of the Timing Generator Board if the Altera device is programmed with code to support this feature.

Jumpers

There are four jumpers on the board that can be used to adjust the operating mode of the Timing Generator Board. The functions of the jumpers depend on how the Altera device is programmed, and is detailed in the associated Altera Code Timing Specification.

JTAG Header

This 10-pin header provides the user with the ability to reprogram the Altera PLD in place via Altera's BYTEBLASTER programming hardware.

Timing Generator PLD

The Programmable Logic Device (PLD) is an Altera 7000S series part. This device is In System Programmable (ISP) via a 10-pin JTAG header located on the board. In this way, the Altera device is programmed with imager specific code to operate the Imager Board to which the Timing Generator Board will be connected.

The Timing Generator PLD controls the overall flow of the evaluation board operation. The PLD outputs include the CCD clocks signals, analog processing timing signals, and Frame Grabber synchronization signals.

LVDS Drivers

Timing signals are sent to the Imager Board via the board interface connector using Low Voltage Differential Signaling (LVDS) drivers. LVDS combines high-speed connectivity with low noise and low power.

Board Interface Connector

This 80-pin connector provides both the timing signals and the necessary power to the CCD Imager Boards from the Timing Generator Board.

CCD Video Processing Chain

The CCD video signal from the Imager Board is input to the Timing Generator Board via the SMB coaxial connector. The coaxial cable is terminated with a resistor and is then buffered by a receiver op-amp with a gain of 1.25. Next the video signal is clamped to ground, effectively performing the first half of the correlated double sampling (CDS) function. Finally the video signal is passed through a low pass filter before being input to the 16-bit A/D converter. The A/D sample signal completes the CDS function and converts the signal to digital information.

ADS-93X 16-Bit A/D Convertor

The Timing Generator Board supports the 16 bit ADS-93X family of convertors offered by Datel Inc.

There are several variants in the ADS-93X family. The Timing Generator Board is populated differently depending on which convertor is being used.

Table 3. TIMING BOARD CONFIGURATION OPTIONS

Timing Board PN	Datel A/D PN	Sampling Rate	Bit Depth	Channels
3E8290	ADS-933MC	3 MSPS	16	1

Output Connector

The output connector interfaces directly to the National Instruments PCI-1424 framegrabber. The output connector provides a single channel of 16 bit output data in LVDS

differential format. The connector also provides the three necessary PCI-1424 frame grabber synchronization signals in LVDS differential format.

EVBUM2252/D

CONNECTOR ASSIGNMENTS AND PINOUTS

SMB Connector J5

J5 allows connection of the VOUT_CCD video signal from the CCD Imager Boards.

Table 4. DIGITAL INPUT CONNECTOR J4

Pin	Assignment	Function	Pin	Assignment
1	SDATA	SERIAL PORT	2	GND
3	SCLOCK	SERIAL PORT	4	GND
5	SLOAD	SERIAL PORT	6	GND
7	DIO15	Altera Code Dependent	8	GND
9	DIO14	Altera Code Dependent	10	GND
11	DIO13	Altera Code Dependent	12	GND
13	DIO12	Altera Code Dependent	14	GND
15	DIO11	Altera Code Dependent	16	GND
17	DIO10	Altera Code Dependent	18	GND
19	DIO9	Altera Code Dependent	20	GND
21	DIO8	Altera Code Dependent	22	GND
23	DIO7	Altera Code Dependent	24	GND
25	DIO6	Altera Code Dependent	26	GND
27	DIO5	Altera Code Dependent	28	GND
29	DIO4	Altera Code Dependent	30	GND
31	DIO3	Altera Code Dependent	32	GND
33	DIO2	Altera Code Dependent	34	GND
35	DIO1	Altera Code Dependent	36	GND
37	DIO0	Altera Code Dependent	38	GND
39	NO CONNECT	N/A	40	GND

Table 5. BOARD INTERFACE CONNECTOR J3

Pin	Assignment	Pin	Assignment
1	N.C.	2	N.C.
3	AGND	4	AGND
5	TIMING_OUT11+	6	TIMING_OUT11-
7	AGND	8	AGND
9	TIMING_OUT10+	10	TIMING_OUT10-
11	AGND	12	AGND
13	TIMING_OUT9+	14	TIMING_OUT9-
15	AGND	16	AGND
17	TIMING_OUT8+	18	TIMING_OUT8-
19	AGND	20	AGND
21	TIMING_OUT7+	22	TIMING_OUT7-
23	AGND	24	AGND
25	TIMING_OUT6+	26	TIMING_OUT6-
27	AGND	28	AGND
29	TIMING_OUT5+	30	TIMING_OUT5-

Table 5. BOARD INTERFACE CONNECTOR J3

Pin	Assignment	Pin	Assignment
31	AGND	32	AGND
33	TIMING_OUT4+	34	TIMING_OUT4-
35	AGND	36	AGND
37	TIMING_OUT3+	38	TIMING_OUT3-
39	AGND	40	AGND
41	TIMING_OUT2+	42	TIMING_OUT2-
43	AGND	44	AGND
45	TIMING_OUT1+	46	TIMING_OUT1-
47	N.C.	48	N.C.
49	AGND	50	AGND
51	N.C.	52	N.C.
53	VMINUS_MTR	54	VMINUS_MTR
55	N.C.	56	N.C.
57	AGND	58	AGND
59	TIMING_OUT0+	60	TIMING_OUT0-
61	-5 V_MTR	62	-5 V_MTR
63	N.C.	64	N.C.
65	AGND	66	AGND
67	N.C.	68	N.C.
69	+5 V_MTR	70	+5 V_MTR
71	N.C.	72	N.C.
73	AGND	74	AGND
75	N.C.	76	N.C.
77	VPLUS_MTR	78	VPLUS_MTR
79	N.C.	80	N.C.

Table 6. INTEGRATE SYNC CONNECTOR J1

Pin	Assignment	Function
1	INTEGRATE	Signal is High during Integration Time Period
2	AGND	Ground

Table 7. POWER CONNECTOR J2

Pin	Assignment
1	VMINUS
2	AGND
3	VPLUS
4	AGND
5	-5 V_MTR
6	AGND
7	+5 V_MTR
8	AGND

Table 8. JUMPER SELECTS P[4..1]

Jumper	Pin	Assignment	Pin	Assignment	Pin	Assignment	Function
P1	1	VCC	2	JMP0	3	AGND	Altera Code Dependent
P2	1	VCC	2	JMP1	3	AGND	Altera Code Dependent
P3	1	VCC	2	JMP2	3	AGND	Altera Code Dependent
P4	1	VCC	2	JMP3	3	AGND	Altera Code Dependent

Table 9. JTAG CONNECTOR P5

Pin	Assignment
1	TCK
2	AGND
3	TDO
4	+5 V_MTR
5	TMS
6	N.C.
7	N.C.
8	N.C.
9	TDI
10	AGND

Table 10. OUTPUT CONNECTOR J6

Pin	Assignment	Signal Level	Pin	Assignment	Signal Level
1	AOUT0+	LVDS	2	AOUT0-	LVDS
3	AOUT1+	LVDS	4	AOUT1-	LVDS
5	AOUT2+	LVDS	6	AOUT2-	LVDS
7	AOUT3+	LVDS	8	AOUT3-	LVDS
9	AOUT4+	LVDS	10	AOUT4-	LVDS
11	AOUT5+	LVDS	12	AOUT5-	LVDS
13	AOUT6+	LVDS	14	AOUT6-	LVDS
15	AOUT7+	LVDS	16	AOUT7-	LVDS
17	AOUT8+	LVDS	18	AOUT8-	LVDS
19	AOUT9+	LVDS	20	AOUT9-	LVDS
21	AOUT10+	LVDS	22	AOUT10-	LVDS
23	AOUT11+	LVDS	24	AOUT11-	LVDS
25	AOUT12+	LVDS	26	AOUT12-	LVDS
27	AOUT13+	LVDS	28	AOUT13-	LVDS
29	AOUT14+	LVDS	30	AOUT14-	LVDS
31	AOUT15+	LVDS	32	AOUT15-	LVDS
33	N.C.		34	N.C.	
35	N.C.		36	N.C.	
37	N.C.		38	N.C.	
39	N.C.		40	N.C.	
41	FRAME+		42	FRAME-	
43	LINE+		44	LINE-	

Table 10. OUTPUT CONNECTOR J6

Pin	Assignment	Signal Level	Pin	Assignment	Signal Level
45	N.C.		46	N.C.	
47	N.C.		48	N.C.	
49	PIXEL+		50	PIXEL-	
51	N.C.		52	N.C.	
53	N.C.		54	N.C.	
55	N.C.		56	N.C.	
57	N.C.		58	N.C.	
59	N.C.		60	N.C.	
61	N.C.		62	N.C.	
63	N.C.		64	N.C.	
65	N.C.		66	N.C.	
67	N.C.		68	N.C.	
69	N.C.		70	N.C.	
71	N.C.		72	N.C.	
73	N.C.		74	N.C.	
75	N.C.		76	N.C.	
77	N.C.		78	N.C.	
79	N.C.		80	N.C.	
81	N.C.		82	N.C.	
83	N.C.		84	N.C.	
85	N.C.		86	N.C.	
87	N.C.		88	N.C.	
89	N.C.		90	N.C.	
91	N.C.		92	N.C.	
93	N.C.		94	N.C.	
95	N.C.		96	N.C.	
97	N.C.		98	N.C.	
99	AGND		100	AGND	

Warnings and Advisories

ON Semiconductor is not responsible for customer damage to the Timing Board or Imager Board electronics. The customer assumes responsibility and care must be taken when probing, modifying, or integrating the Truesense Imaging Evaluation Board Kits.

When programming the Timing Board, the Imager Board must be disconnected from the Timing Board before power is applied. If the Imager Board is connected to the Timing Board during the reprogramming of the Altera PLD, damage to the Imager Board will occur.

Purchasers of a an Evaluation Board Kit may, at their discretion, make changes to the Timing Generator Board firmware. ON Semiconductor can only support firmware developed by, and supplied by, ON Semiconductor. Changes to the firmware are at the risk of the customer.

Ordering Information

Please address all inquiries and purchase orders to:

Truesense Imaging, Inc.
 1964 Lake Avenue
 Rochester, New York 14615
 Phone: (585) 784-5500
 E-mail: info@truesenseimaging.com

ON Semiconductor reserves the right to change any information contained herein without notice. All information furnished by ON Semiconductor is believed to be accurate.

ON Semiconductor and the  are registered trademarks of Semiconductor Components Industries, LLC (SCILLC) or its subsidiaries in the United States and/or other countries. SCILLC owns the rights to a number of patents, trademarks, copyrights, trade secrets, and other intellectual property. A listing of SCILLC's product/patent coverage may be accessed at www.onsemi.com/site/pdf/Patent-Marking.pdf. SCILLC reserves the right to make changes without further notice to any products herein. SCILLC makes no warranty, representation or guarantee regarding the suitability of its products for any particular purpose, nor does SCILLC assume any liability arising out of the application or use of any product or circuit, and specifically disclaims any and all liability, including without limitation special, consequential or incidental damages. "Typical" parameters which may be provided in SCILLC data sheets and/or specifications can and do vary in different applications and actual performance may vary over time. All operating parameters, including "Typicals" must be validated for each customer application by customer's technical experts. SCILLC does not convey any license under its patent rights nor the rights of others. SCILLC products are not designed, intended, or authorized for use as components in systems intended for surgical implant into the body, or other applications intended to support or sustain life, or for any other application in which the failure of the SCILLC product could create a situation where personal injury or death may occur. Should Buyer purchase or use SCILLC products for any such unintended or unauthorized application, Buyer shall indemnify and hold SCILLC and its officers, employees, subsidiaries, affiliates, and distributors harmless against all claims, costs, damages, and expenses, and reasonable attorney fees arising out of, directly or indirectly, any claim of personal injury or death associated with such unintended or unauthorized use, even if such claim alleges that SCILLC was negligent regarding the design or manufacture of the part. SCILLC is an Equal Opportunity/Affirmative Action Employer. This literature is subject to all applicable copyright laws and is not for resale in any manner.

PUBLICATION ORDERING INFORMATION

LITERATURE FULFILLMENT:

Literature Distribution Center for ON Semiconductor
P.O. Box 5163, Denver, Colorado 80217 USA
Phone: 303-675-2175 or 800-344-3860 Toll Free USA/Canada
Fax: 303-675-2176 or 800-344-3867 Toll Free USA/Canada
Email: orderlit@onsemi.com

N. American Technical Support: 800-282-9855 Toll Free
USA/Canada
Europe, Middle East and Africa Technical Support:
Phone: 421 33 790 2910
Japan Customer Focus Center
Phone: 81-3-5817-1050

ON Semiconductor Website: www.onsemi.com
Order Literature: <http://www.onsemi.com/orderlit>
For additional information, please contact your local
Sales Representative