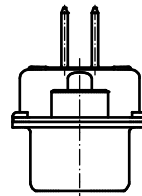
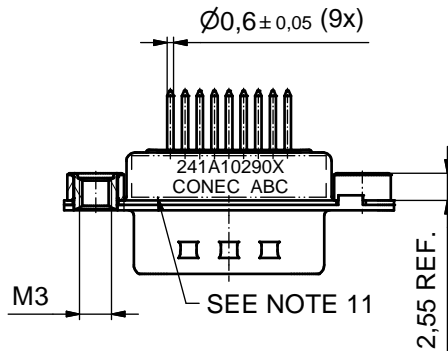
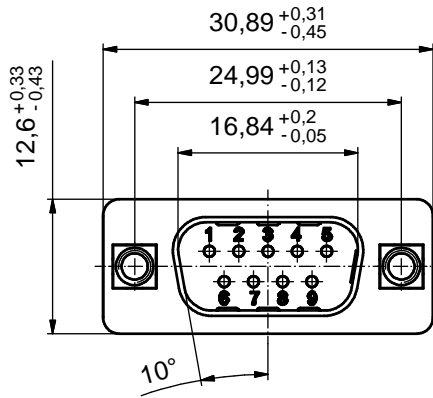
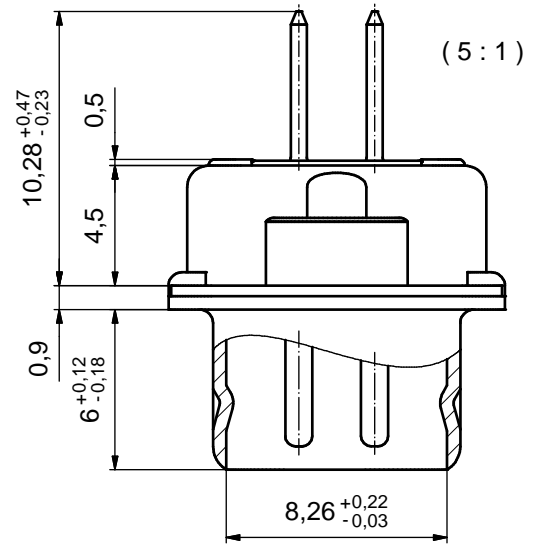
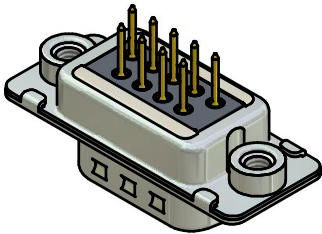


P.C.B. HOLE DRILLINGS  
(P.C.B. TOP SIDE)



NOTES:

1. RoHS COMPLIANT
2. FOR WAVESOLDERING (SOLDER BATH TEMPERATURE 260°C FOR 5SEC. AND SOLDER PREHEAT 100°C FOR 30SEC.)
3. METALSHELLS: STEEL; min. 315µm TIN over 40-80µm NICKEL
4. INSULATOR: HIGH TEMPERATURE PLASTIC UL 94 V-0; BLACK
5. CONTACTS: COPPER ALLOY  
PLATING: 8µm HARD GOLD over min. 50µm NICKEL
6. THREADED INSERTS: COPPER ALLOY; min. 200µm TIN over 80µm NICKEL
7. COLLARS: COPPER ALLOY; min. 200µm TIN over 80µm NICKEL
8. CAPACITANCE: 1300pF ± 20%
9. DIELECTRIC WITHSTANDING VOLTAGE: 424 VDC
10. MAXIMUM TORQUE VALUE FOR THREAD: 6in.LB
11. CONNECTOR IS PART MARKED: [241A10290X CONEC ABC]



Directive 2002/95/EC  
„RoHS“  
Compliant

APPROVAL # FREIGABE # DEBLOCAGE # AUTORIZACION # APPROVAL	
CUSTOMER APPROVAL DATE:	
NAME:	TITLE:
COMPANY NAME:	
APPROVAL # FREIGABE # DEBLOCAGE # AUTORIZACION # APPROVAL	

THIS DRAWING MAY NOT BE COPIED OR REPRODUCED IN ANY WAY, AND MAY NOT BE PASSED ON TO A THIRD PARTY WITHOUT WRITTEN PERMISSION. OWNERSHIP AND COPYRIGHT OF CONEC GmbH

DO NOT ALTER CAD DRAWING BY HAND

rev.	description	date	name
a	Origin		

tolerance		dim. in mm
date	name	
drawn	28.09.09	Petker
appd.	28.09.09	Fischer
norm		
d-old		



scale:	2:1 (5:1)	
material:	SEE NOTES	
title:	D-SUB FILTER MALE 9pos. SOLDER PIN STRAIGHT with threaded insert	
dwg no:	Inventor 10	DIN-A3
	24K1A1204	sh: 1
part no:	241A10290X	