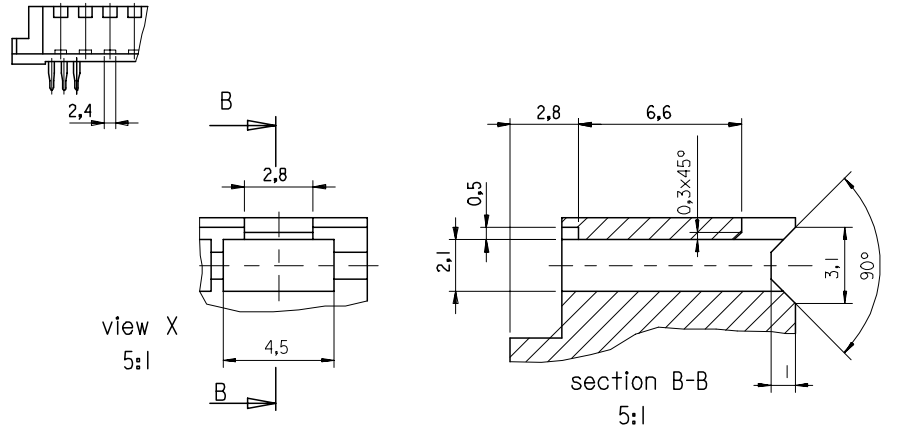
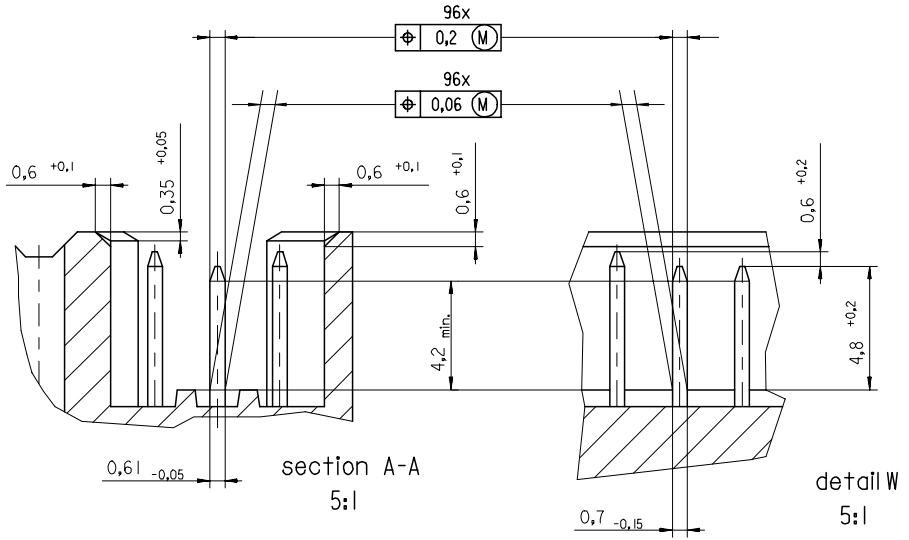
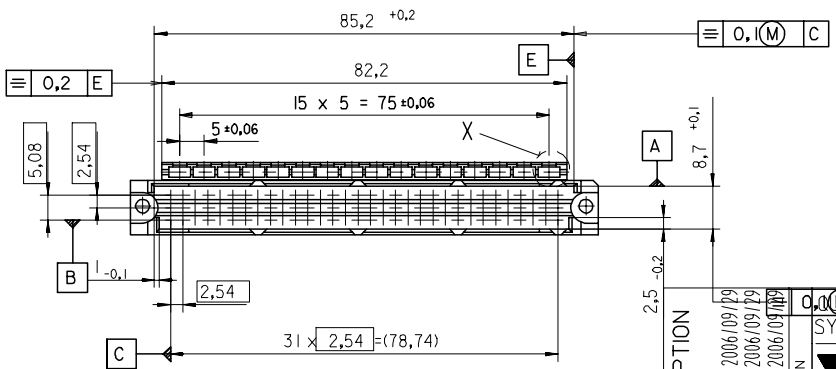
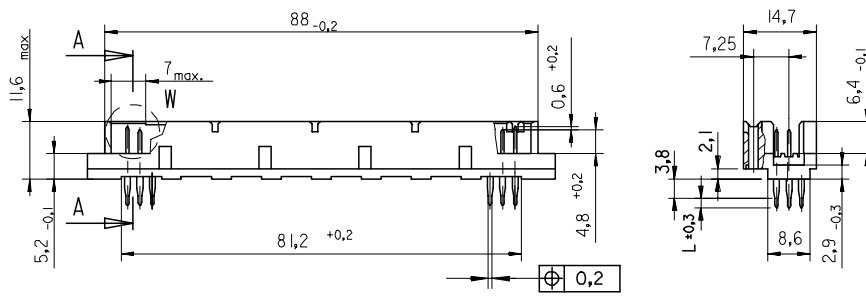
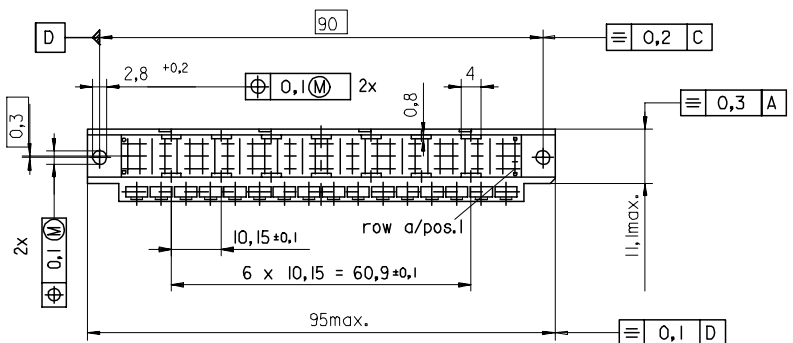


10 9 8 7 6 5 4 3 2 1

F
E
D
C
B
A



ENTER DESCRIPTION	2006/09/29	0.001 (M) (B)
EC NO: I2007-0159	2006/09/29	SYMBOLS
DRWN: SURENGG	2006/09/29	▽=0
CHKD: SSUDHIR	2006/09/29	∇=0
APPR: SSUDHIR	2006/09/29	
REV	DESCRIPTION	
A2		

GENERAL TOLERANCES (UNLESS SPECIFIED)	
mm	INCH
4 PLACES ±---	±---
3 PLACES ±---	±---
2 PLACES ±---	±---
1 PLACE ±---	±---
ANGULAR ±---°	
DRAFT WHERE APPLICABLE MUST REMAIN WITHIN DIMENSIONS	

DIMENSION STYLE	
MM ONLY	
DRAWN BY	DATE
CHECKED BY	DATE
APPROVED BY	DATE
MATERIAL NO.	
SEE CHART	

SCALE	DESIGN UNITS	THIRD ANGLE PROJECTION
---	METRIC	
96 POS.MALE CONNECTOR DIN 41612 STYLE RIC-PIN BERG-COD./PRE-MATING CKT		
MOLEX INCORPORATED		
DOCUMENT NO.	SHEET NO.	
601-6043-202	1 OF 3	
THIS DRAWING CONTAINS INFORMATION THAT IS PROPRIETARY TO MOLEX INCORPORATED AND SHOULD NOT BE USED WITHOUT WRITTEN PERMISSION		

9 8 7 6 5 4 3 2 1

F

E

D

C

B

A

96P-6043-072U-7-BE113	85013-2995	yes	2/flash	Wire wrap	13,3	1,2,3...32	a+b+c	a/b/c2	ACTIVE
96P-6043-072U-6-B	85013-2971	yes	2/flash	Wire wrap	16,4	1,2,3...32	a+b+c	-----	ACTIVE
96P-6043-072U-7-BE61	85013-2969	yes	2/flash	Wire wrap	13,3	1,2,3...32	a+b+c	a/c1+32, b1+3+30+32	ACTIVE
96P-6043-072U-7-B	85013-2957	yes	2/flash	Wire wrap	13,3	1,2,3...32	a+b+c	-----	ACTIVE
96P-6043-072V-9-BE113	85013-2828	no	2	-----	2	1,2,3...32	a+b+c	a/b/c2	ACTIVE
96P-6043-072M-8-B	85013-2610	yes	2/2	Wire wrap	9,4	1,2,3...32	a+b+c	-----	VOID
96P-6043-0732-7-BE113	85013-1926	no	2/flash	Wire wrap	13,3	1,2,3...32	a+b+c	a/b/c2	ACTIVE
96P-6043-072V-9-B	85013-1457	yes	2	-----	2	1,2,3...32	a+b+c	-----	ACTIVE
96P-6043-0732-7-BE61	85013-0866	no	2/flash	Wire wrap	13,3	1,2,3...32	a+b+c	a/c1+32, b1+3+30+32	ACTIVE
96P-6043-0732-7-B	85013-0842	no	2/flash	Wire wrap	13,3	1,2,3...32	a+b+c	-----	ACTIVE
96P-6043-0732-6-B	85013-0830	no	2/flash	Wire wrap	16,4	1,2,3...32	a+b+c	-----	ACTIVE
96P-6043-072V-8-B	85013-0775	yes	2	Wire wrap	9,4	1,2,3...32	a+b+c	-----	ACTIVE
Engineering number	Ordering code	Molex std.	Perf.level hard gold acc. MIL-G45204	Termination	Contact sequence/row	Position of pre-mating contacts	PART STATUS		

RoHS COMPLIANT

ENTER DESCRIPTION EC NO: I2007-0159 DRWN: SURENGG 2006/09/29 CHKD: SSUDHIR 2006/09/29 APPR: SSUDHIR 2006/09/29	QUALITY SYMBOLS ▽=0 ▽=0	GENERAL TOLERANCES (UNLESS SPECIFIED) <table border="1"> <tr> <td></td> <td>mm</td> <td>INCH</td> </tr> <tr> <td>4 PLACES</td> <td>±---</td> <td>±---</td> </tr> <tr> <td>3 PLACES</td> <td>±---</td> <td>±---</td> </tr> <tr> <td>2 PLACES</td> <td>±---</td> <td>±---</td> </tr> <tr> <td>1 PLACE</td> <td>±---</td> <td>±---</td> </tr> <tr> <td colspan="3">ANGULAR ±---°</td> </tr> </table>		mm	INCH	4 PLACES	±---	±---	3 PLACES	±---	±---	2 PLACES	±---	±---	1 PLACE	±---	±---	ANGULAR ±---°			DIMENSION STYLE MM ONLY DRAWN BY DATE CHECKED BY DATE APPROVED BY DATE	SCALE --- DESIGN UNITS METRIC THIRD ANGLE PROJECTION	TITLE 96 POS.MALE CONNECTOR ACC. TO DIN41612 C-PIN STYLE R
		mm	INCH																				
	4 PLACES	±---	±---																				
	3 PLACES	±---	±---																				
2 PLACES	±---	±---																					
1 PLACE	±---	±---																					
ANGULAR ±---°																							
		MATERIAL NO. SEE CHART	DOCUMENT NO. 601-6043-202	SHEET NO. 2 OF 3																			
		DRAFT WHERE APPLICABLE MUST REMAIN WITHIN DIMENSIONS	SIZE A3	THIS DRAWING CONTAINS INFORMATION THAT IS PROPRIETARY TO MOLEX INCORPORATED AND SHOULD NOT BE USED WITHOUT WRITTEN PERMISSION																			
A2	REV																						

10 9 8 7 6 5 4 3 2 1

F

E

D

C

B

A

- 1. General : Technical Data
96 pos. Male connector acc. DIN 41612 style R (C-Pin)
with Berg coding device and extended pins
- 2. Material :
- 2.1 Molding material : Thermoplastic Polyester GV30 grey RAL 7032
- 2.1.1 Molding material :
burning properties acc. to UL94 V0
- 2.1.2 Resistance against :
solvents : good
- 2.2 Pin contact : CuSn
- 2.2.1 Contact plating : Performance level I or II (Test acc. DIN 41612 part 5)
- 3. Printing : Part.No., date of manufacturing

ENTER DESCRIPTION EC NO: I2007-0159 DRWN: SURENGG 2006/09/29 CHKD: SSUDHIR 2006/09/29 APPR: SSUDHIR 2006/09/29	QUALITY SYMBOLS ▽=0 ▽=0	GENERAL TOLERANCES (UNLESS SPECIFIED)		DIMENSION STYLE MM ONLY		SCALE ---	DESIGN UNITS METRIC	THIRD ANGLE PROJECTION		
			mm	INCH	DRAWN BY CA	DATE	TITLE 96 POS.MALE CONNECTOR ACC_DIN41612 R(C-PIN) DATA			
		4 PLACES	±---	±---	CHECKED BY KN	DATE				
		3 PLACES	±---	±---	APPROVED BY	DATE	MOLEX INCORPORATED		SHEET NO. 3 OF 3	
2 PLACES	±---	±---	DRAFT WHERE APPLICABLE MUST REMAIN WITHIN DIMENSIONS		SEE CHART		DOCUMENT NO. 601-6043-202			
1 PLACE	±---	±---			SIZE A3		THIS DRAWING CONTAINS INFORMATION THAT IS PROPRIETARY TO MOLEX INCORPORATED AND SHOULD NOT BE USED WITHOUT WRITTEN PERMISSION			
ANGULAR ±---°										

9 8 7 6 5 4 3 2 1