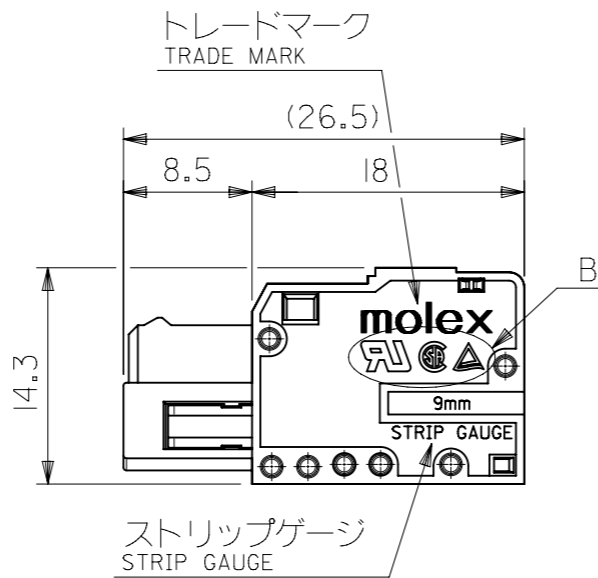
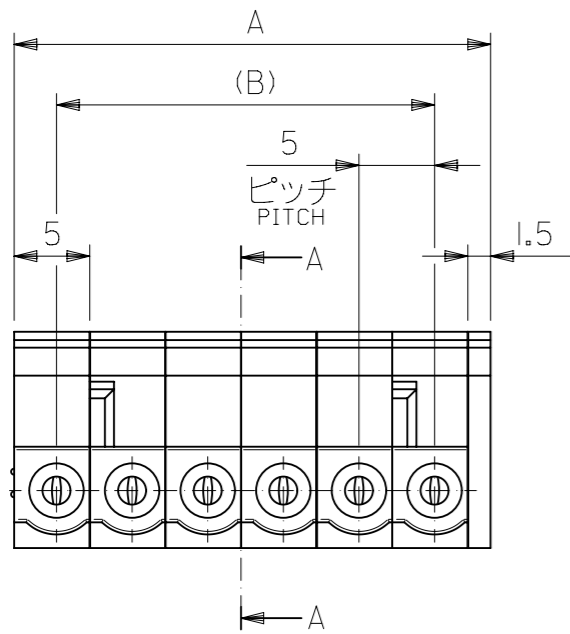
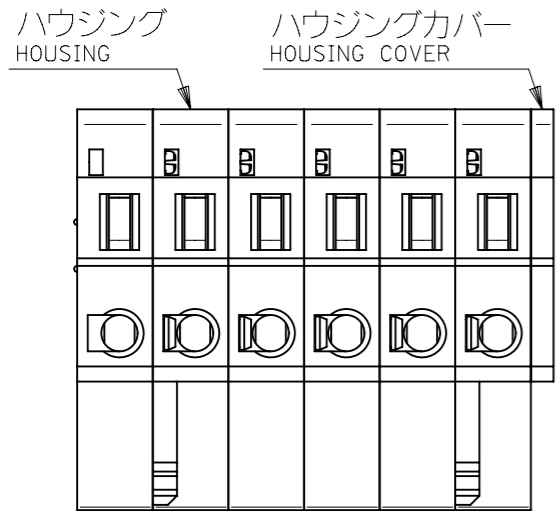


TRADE MARK LOCATION ON SIDE
MJX = JAPAN
MDG = DONGGUAN

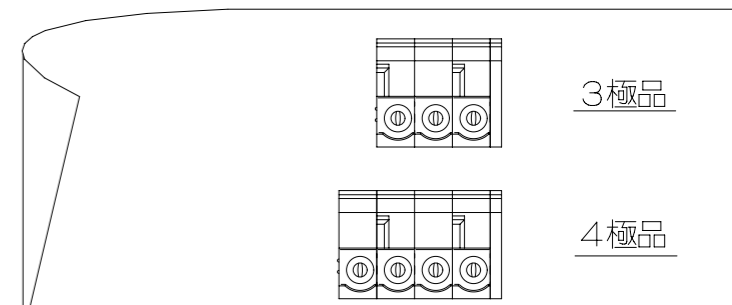
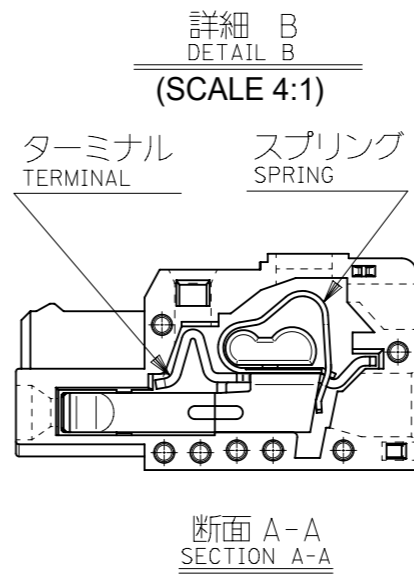
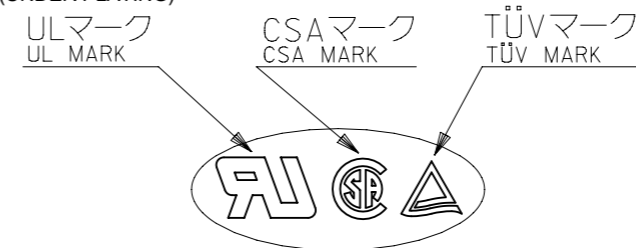


- 注記) NOTES:
- 材質 MATERIAL
 ・ハウジング、ハウジングカバー
 HOUSING, HOUSING COVER
 ガラス無しポリブチレンテレフタレート、UL94V-0
 POLYBUTYLENE TELEPHTHALATE, GLASS NON FILLED, UL94V-0
 色：表参照
 COLOR : REFER TO THE CHART
 ・ターミナル
 TERMINAL
 銅合金
 COPPER ALLOY
 ・スプリング
 SPRING
 ステンレス
 STAINLESS STEEL
 - メッキ仕様
 PLATING
 □Á□□□b□L□F 1.0□òm MIN.
 TIN PLATING : 1.0 MICROMETER MINIMUM
 □j□b□P□□□□b□L□F 1.0□òm MIN. (下地メッキ)
 NICKEL PLATING : 1.0 MICROMETER MINIMUM (UNDER PLATING)

- 適用電線範囲 : AWG#14 ~ #26
 APPLICABLE WIRE : AWG#14 ~ #26
- 被覆外径 : ø3.8 MAX.
 INS. DIA. : ø3.8 MAX.
- 適合レバー : 54932-****
 APPLIED LEVER : 54932-****
- 製品番号
 MATERIAL NO.

極数 CIRCUIT SIZE	色 COLOR	アイボリー IVORY	0
		黒 BLACK	1
		灰 GRAY	5

- 被覆剥き長さ : 8 ~ 9mm
 INSULATION STRIPPING LENGTH : 8~9mm
- 製品番号 B54927-***1*
 THIS PRODUCT IS LEAD FREE OF 54927-***1*.



15	21.5	54927-042*	4
10	16.5	54927-032*	3
B	A	製品番号 MATERIAL NO.	極数 CIRCUITS

THIS DRAWING CONTAINS INFORMATION THAT IS PROPRIETARY TO MOLEX ELECTRONIC TECHNOLOGIES, LLC AND SHOULD NOT BE USED WITHOUT WRITTEN PERMISSION

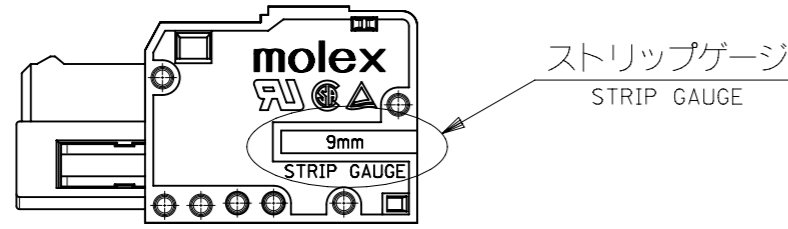
GENERAL TOLERANCES (UNLESS SPECIFIED)	
10 UNDER	±0.2
10 OVER 30 UNDER	±0.25
30 OVER	±0.3

EC NO: 624787	DRWN: RPRABHUM	2019/05/24
CHK'D: GGA	2019/11/11	
APPR: GGA	2019/11/11	
INITIAL REVISION:	DRWN: BRUPERT	2012/02/09
APPR: JFMURPHY	2012/02/13	

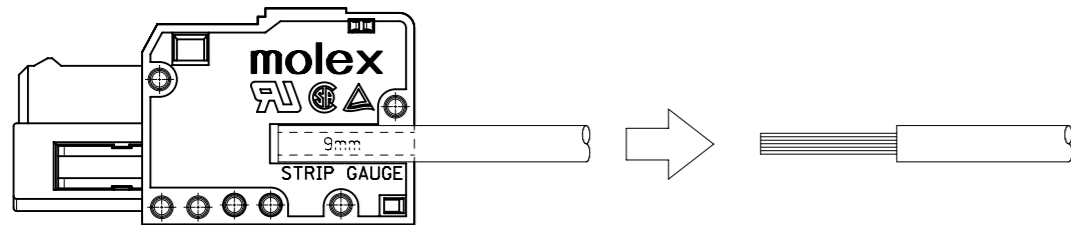
molex			
MTC (MULTI TERM CONN) 5MM REC HSG ASSY -LEAD FREE-			
PRODUCT CUSTOMER DRAWING			
DOCUMENT NUMBER	DOC TYPE	DOC PART	REVISION
SD-54927-004	PSD	001	B1
MATERIAL NUMBER	CUSTOMER	SHEET NUMBER	
SEE CHART	GENERAL MARKET	1 OF 2	

ストリップゲージの使用
USE OF STRIP GAUGE

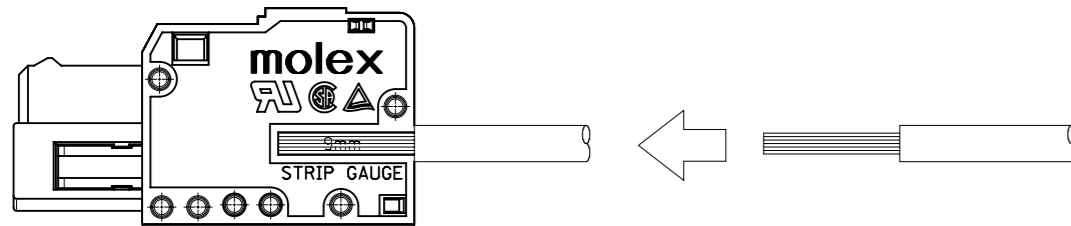
ハウジングカバーに付いているストリップゲージは、以下のようにご使用下さい。
PLEASE USE THE STRIP GAUGE WHICH HAS ADHERED TO THE HOUSING COVER AS SHOWN IN THE FIGURE BELOW.



1. 電線をストリップゲージに合わせて被覆を剥く。
THE ELECTRIC WIRE IS MATCHED TO THE STRIP GAUGE, AND STRIPPING INSULATION.

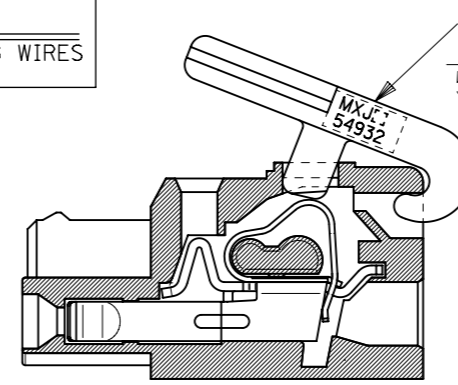


2. 既に被覆を剥いた電線をストリップゲージに合わせて被覆剥き長さを確認する。
THE ELECTRIC WIRE WHICH HAS ALREADY PEELLED OFF INSULATION IS MATCHED TO THE STRIP GAUGE, AND THE STRIPPING LENGTH IS CONFIRMED.



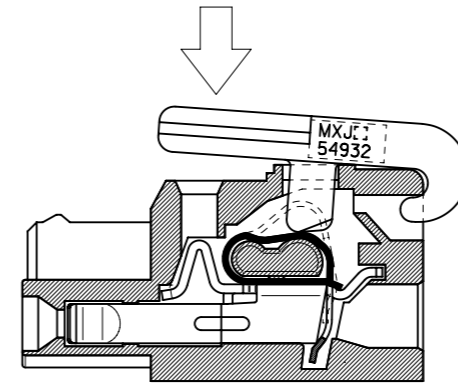
※ 被覆剥き長さ：8～9mm
STRIPPING LENGTH : 8~9mm

結線方法
METHOD OF CONNECTING WIRES

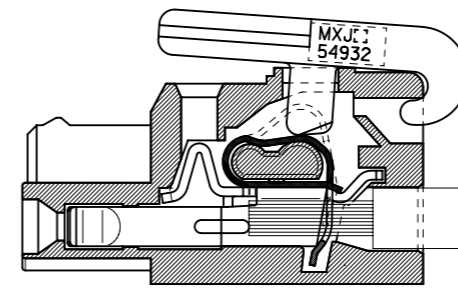


結線レバー
LEVER
54932-****

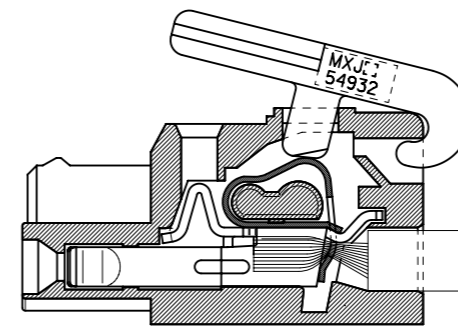
1. 結線レバーをハウジングに装着する。(脱着自在)
THE LEVER OF CONNECTING WIRES IS INSTALLED IN THE HOUSING. (DETACHING IS FREE)



2. 結線レバーを矢印方向に押す。
THE LEVER OF CONNECTING WIRES IS PUSHED IN THE DIRECTION OF THE ARROW.



3. 結線レバーを押したまま電線を矢印方向に挿入する。
THE ELECTRIC WIRE IS INSERTED IN THE DIRECTION OF THE ARROW WITH THE LEVER OF CONNECTING WIRES PUSHED.



4. 結線レバーを放す。
THE LEVER OF CONNECTING WIRES IS RELEASED.

THIS DRAWING CONTAINS INFORMATION THAT IS PROPRIETARY TO MOLEX ELECTRONIC TECHNOLOGIES, LLC AND SHOULD NOT BE USED WITHOUT WRITTEN PERMISSION

DIMENSION UNITS		SCALE		CURRENT REV DESC:				molex		
mm		2:1								
GENERAL TOLERANCES (UNLESS SPECIFIED)				EC NO: 624787				MTC (MULTI TERM CONN)		
				DRWN: RPRABHUM 2019/05/24				5MM REC HSG ASSY -LEAD FREE-		
				CHK'D: GGA 2019/11/11				PRODUCT CUSTOMER DRAWING		
				APPR: GGA 2019/11/11				DOCUMENT NUMBER		
				INITIAL REVISION:				SD-54927-004		
				DRWN: BRUPERT 2012/02/09				PSD 001 B1		
				APPR: JFMURPHY 2012/02/13				DOC TYPE DOC PART REVISION		
				ANGULAR TOL ± 0.5°				MATERIAL NUMBER		
				DRAFT WHERE APPLICABLE MUST REMAIN WITHIN DIMENSIONS				CUSTOMER		
				THIRD ANGLE PROJECTION				SEE CHART		
				DRAWING				GENERAL MARKET		
				SERIES				SHEET NUMBER		
				A3-SIZE				2 OF 2		
				54927						

GENERAL TOLERANCES (UNLESS SPECIFIED)			
10 ^{UNDER}	±0.2		
10 ^{OVER}	30 ^{UNDER}	±0.25	
30 ^{OVER}		±0.3	