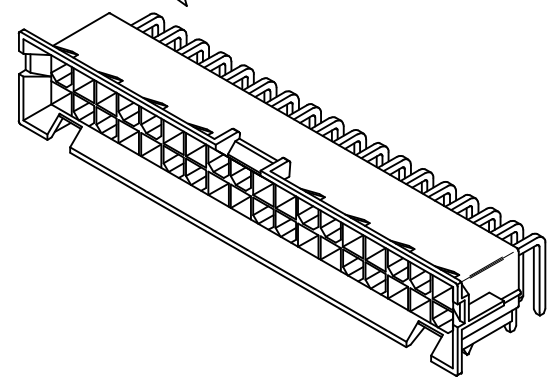


RECOMMENDED HOLE LAYOUT FOR .070/(1.78) MAX. THICK P.C. BOARD VIEWED FROM COMPONENT SIDE

NOTES:

- MATERIAL  
HOUSING: "A" = UNFILLED POLYESTER. COLOR: BLACK  
TERMINAL MATERIAL: BRASS
- FINISH  
A = .000100/(.00254) MIN. MATTE TIN OVER  
.000050/(.00127) MIN. NICKEL OVERALL.  
B = .000030/(.00076) MIN. SELECT GOLD,  
.000100/(.00254) MIN. SELECT MATTE TIN OVER  
.000050/(.00127) MIN. NICKEL OVERALL.
- PRODUCT SPECIFICATION: PS-43759-001
- PART MATES WITH MINI-FIT JR. RECEPTACLE 439740003, 445160013 & 437600001.
- PARTS ARE NOT DESIGNED FOR CURRENT SHARING.
- PART ALLOWS FOR .050/(1.27) MISALIGNMENT WITH MATING RECEPTACLE IN ANY DIRECTION. SEE MATING CONNECTOR DRAWINGS FOR SPECIFIC ALLOWANCES.
- CONNECTOR ASSEMBLIES ARE NOT TO BE MATED OR UNMATED WHILE CIRCUITS ARE LIVE.
- CIRCUITS SHOWN PROVIDE THE "MATE-FIRST/BREAK-LAST" FEATURE.
- PARTS TO BE PACKAGED PER PACKAGING SPEC. PK-42404-002.
- DISCOLORATION IN THE BANDOLIER CARRIER AREA OF THE PIN IS INHERENT TO THE PLATING PROCESS AND IS DUE TO THE MASKING EFFECT OF THE CARRIER. THIS DISCOLORATION IS IN A NON-FUNCTIONAL AREA OF THE PIN AND DOES NOT AFFECT THE PERFORMANCE OF THE HEADER ASSEMBLY.
- THIS PART CONFORMS TO CLASS B REQUIREMENTS OF COSMETIC SPECIFICATION PS-45499-002, EXCEPT CLASS "C" ON BOTH SIDE RIBS.
- FORMING MARKS ARE ACCEPTABLE



VOID EC NO: UCP2016-1782 DRWN: MONTI 2015/10/27 CHKD: JELL 2015/10/27 APPR: FSMITH 2015/11/12 REV:	QUALITY SYMBOLS ▽=0 ▽=0 ▽=0	GENERAL TOLERANCES (UNLESS SPECIFIED) mm INCH 4 PLACES ± --- ± --- 3 PLACES ± --- ± .010 2 PLACES ± 0.25 ± .015 1 PLACE ± 0.38 ± --- ANGULAR ± 1/2°	DIMENSION STYLE IN/MM DRAWN BY DATE CSTWEART 2003/03/11 CHECKED BY DATE MARGULIS 2003/03/18 APPROVED BY DATE MARGULIS 2003/03/18	SCALE 2:1 DESIGN UNITS METRIC THIRD ANGLE PROJECTION	TITLE RIGHT ANGLE HEADER ASSY 36 CIRCUIT MINI-FIT BMI	MATERIAL NO. SEE CHART	DOCUMENT NO. SD-45567-001	SHEET NO. 1 OF 2
	DRAFT WHERE APPLICABLE MUST REMAIN WITHIN DIMENSIONS		THIS DRAWING CONTAINS INFORMATION THAT IS PROPRIETARY TO MOLEX INCORPORATED AND SHOULD NOT BE USED WITHOUT WRITTEN PERMISSION					

13	12	11	10	9	8	7	6	5	4	3	2	1																												
ITEM NO.	CKT. SIZE	LETTER INDICATES PIN PLATING AND LENGTH REQUIRED AT EACH CIRCUIT LOCATION. SEE CHARACTERISTICS LEGEND.																																						
		1	2	3	4	5	6	7	8	9	10	11	12	13	14	15	16	17	18	19	20	21	22	23	24	25	26	27	28	29	30	31	32	33	34	35	36			
455670001	36	AS	AS	AS	AS	AS	AS	AS	AS	AS	AS	AS	AS	AS	AS	AS	AS	AS	AS	AM	AM	AM	AM	AM	AM	AM	AM	AM	AM	AM	AM	AM	AM	AM	AM	AM	AM	AM	AM	
455670002	36	BS	BS	BS	BS	BS	BS	BS	BS	BS	BS	BS	BS	BS	BS	BS	BS	BS	BM	BM	BM	BM	BM	BM	BM	BM	BM	BM	BM	BM	BM	BM	BM	BM	BM	BM	BM	BM	BM	BM

TERMINAL PLATING AND LENGTH IDENTIFICATION

\*AS\* = TIN, STANDARD LENGTH  
 \*BS\* = GOLD, STANDARD LENGTH  
 \*AM\* = TIN, MAKE-FIRST/BREAK-LAST  
 \*BM\* = GOLD, MAKE-FIRST/BREAK-LAST

<b>SEE SHEET 1</b> EC NO: UCP2016-1782 DRWN: MONTI 2015/10/27 CHKD: BELL 2015/10/27 APPR: FSMITH 2015/11/12	QUALITY SYMBOLS	GENERAL TOLERANCES (UNLESS SPECIFIED)	DIMENSION STYLE	SCALE	DESIGN UNITS	THIRD ANGLE PROJECTION
	□ □ □	mm	INCH	IN/MM	METRIC	RIGHT ANGLE HEADER ASSY 36 CIRCUIT MINI-FIT BMI
		4 PLACES ± --- ± ---		DRAWN BY DATE	TITLE	
		3 PLACES ± --- ± .010		CSTWEART 2003/03/11	CHECKED BY DATE	
2 PLACES ± 0.25 ± .015		MARGULIS 2003/03/18	APPROVED BY DATE			
1 PLACE ± 0.38 ± ---		MARGULIS 2003/03/18	MATERIAL NO.			
	ANGULAR ±1/2°					
	DRAFT WHERE APPLICABLE MUST REMAIN WITHIN DIMENSIONS		SEE CHART		DOCUMENT NO.	SHEET NO.
					SD-45567-001	2 OF 2
			SIZE	THIS DRAWING CONTAINS INFORMATION THAT IS PROPRIETARY TO MOLEX INCORPORATED AND SHOULD NOT BE USED WITHOUT WRITTEN PERMISSION		