

# UM10480

Variable gain amplifier BGA7210

Rev. 2 — 26 July 2011

User manual

## Document information

Info	Content
<b>Keywords</b>	BGA7210, VGA, variable gain amplifier
<b>Abstract</b>	This user manual describes how to evaluate the variable gain amplifier BGA7210 using a customer evaluation kit



## Revision history

Rev	Date	Description
v.2	20110726	<ul style="list-style-type: none"><li>• <a href="#">Section 1 “Introduction”</a> text altered.</li><li>• <a href="#">Section 5 “Controlling the customer RF evaluation board”</a> amended to include <a href="#">Section 5.1 “Improving linearity”</a></li></ul>
v.1	20110520	first version

## Contact information

For more information, please visit: <http://www.nxp.com>

For sales office addresses, please send an email to: [salesaddresses@nxp.com](mailto:salesaddresses@nxp.com)

## 1. Introduction

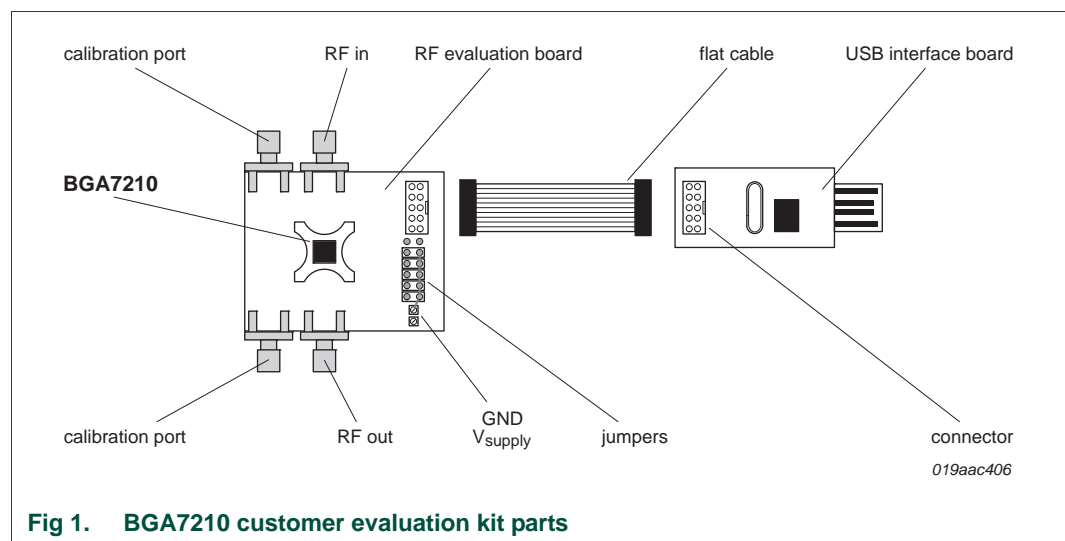
The BGA7210 customer evaluation kit enables the user to evaluate the performance of the variable gain amplifier BGA7210.

The BGA7210 performance information is available in the BGA7210 data sheet.

## 2. Quick start

1. Connect the interface board to the RF evaluation board using the flat cable.
2. Power the RF evaluation board with a 5 V, 1 W power supply.
3. Insert the interface board in a free USB slot.
4. Insert the USB flash drive in another free USB slot.
5. Launch the customer software `bga7210_mswin.exe` from the USB flash drive.

## 3. Installation



**Remark:** Do not change the jumper settings until you are familiar with the functions. The jumpers are intended for evaluating the current on each supply pin. If configured correctly the VGA can be powered by the USB bus, however RF performance might be compromised. See [Section 7 “Jumpers and connectors” on page 10](#).

## 4. Customer evaluation kit contents

---

The evaluation kit contains the following items:

- ESD safe casing
- RF evaluation board
- USB interface board
- Flat cable
- USB flash drive containing:
  - This user manual
  - Customer software bga7210\_mswin.exe
  - BGA7210 data sheet

## 5. Controlling the customer RF evaluation board

### 5.1 Improving linearity

The RF evaluation board is configured without using a shunt capacitor on the output. Adding a shunt capacitor improves linearity around 2.8 GHz. For other operating frequencies it is recommended not to add a shunt capacitor. Please refer to the Data Sheet for performance information.

Place a shunt capacitor of 0.68 pF at a distance of 5.3 mm from the BGA7210 RF\_OUT pin, see [Figure 2](#).

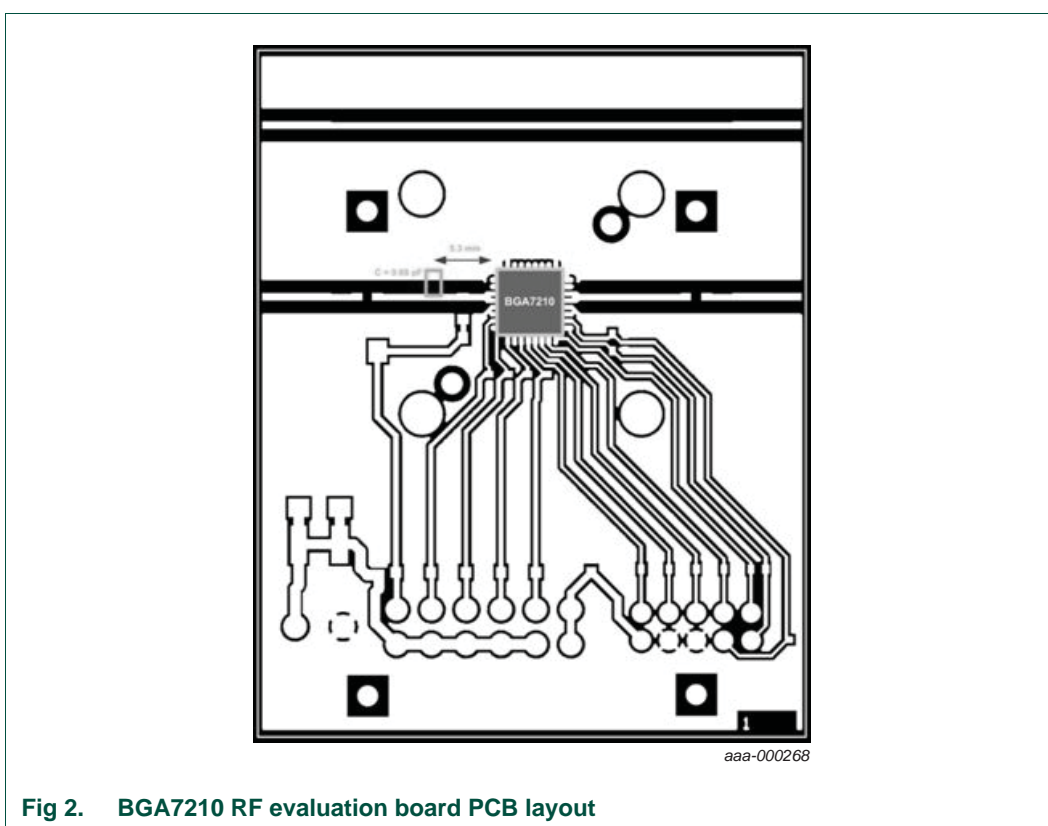


Fig 2. BGA7210 RF evaluation board PCB layout

### 5.2 Quick tour

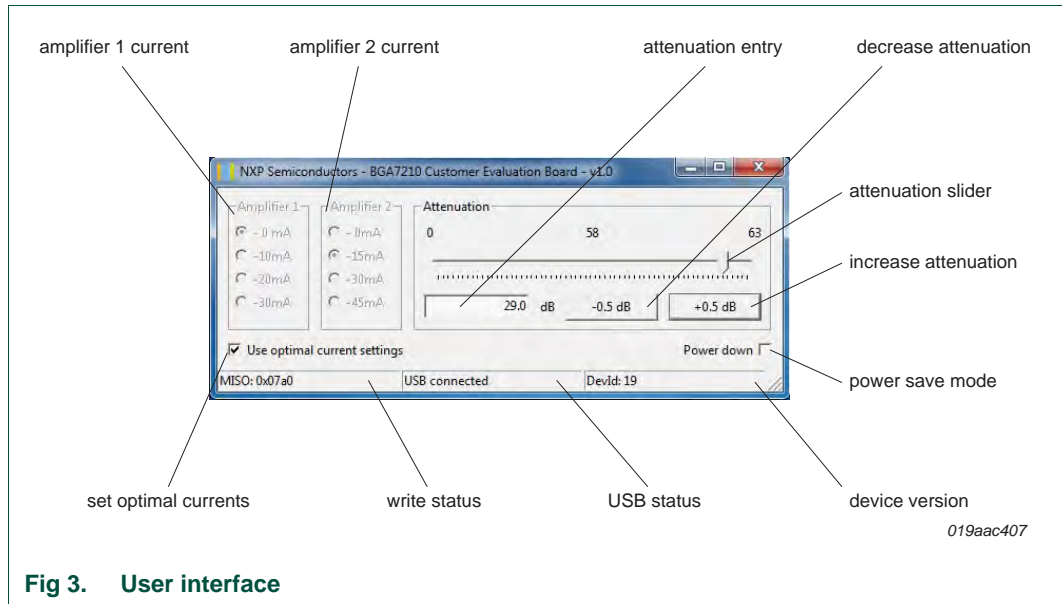


Fig 3. User interface

The customer software offers advanced features for controlling the current and attenuation of the BGA7210. The software also provides a tick box for saving power and a tick box for automatically selecting the optimal current per attenuation setting, yielding maximum linearity.

### 5.3 Setting current

The current to each amplifier can be set either automatically or manually.

- Automatically: depending on the attenuator setting, each amplifier current setting is selected automatically. This mode optimizes current consumption without compromising linearity
- Manually: each amplifier current can be set manually

### 5.4 Setting attenuation

There are three methods available for setting attenuation in the range 0 dB to 31.5 dB using:

- the attenuator entry
- attenuation slider
- 0.5 dB step button

### 5.5 Power save

In Power save mode, the RF blocks are switched off but it is still possible to communicate with the chip.

## 6. BGA7210 evaluation

**Remark:** The RF evaluation board output is configured with a shunt capacitor to yield optimal linearity at approximately 2 GHz. It is recommended that the shunt capacitor is removed at other operating frequencies. Please refer to the BGA7210 data sheet for performance information.

### 6.1 Calibration

The calibration port can be used to determine the PCB losses.

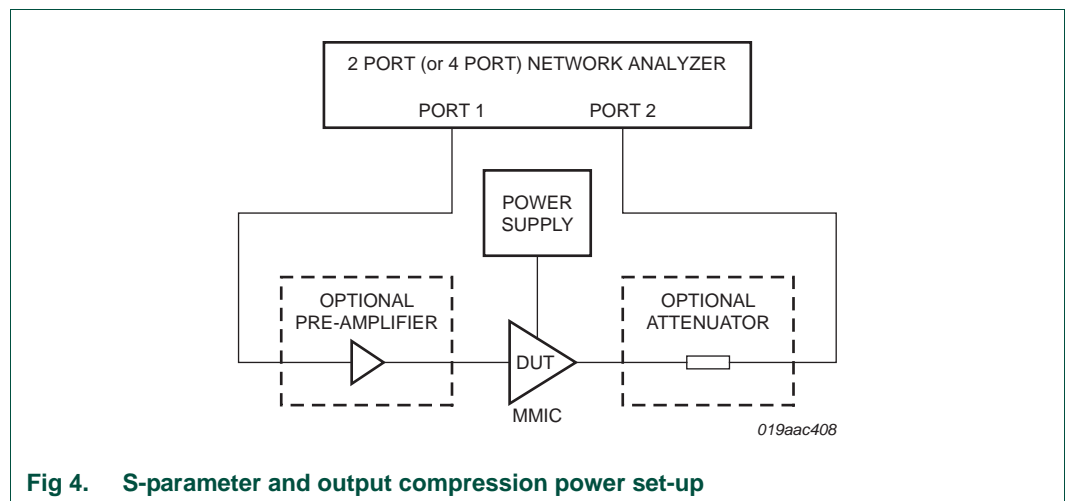
### 6.2 S-parameters and output compression point

Both S-parameters and the output compression point (P1 dB) are measured with a NetWork Analyzer (NWA); see [Figure 4](#).

The P1 dB is measured by sweeping the input power, and observing where the S21 of the device is compressed by 1 dB compared to the linear gain. In order for this measurement to accurately measure the input power, the input must first be calibrated with a power head. The output power of the device is calculated using equation [Equation 1](#).

$$P_{out}(dBm) = P_{in}(dBm) + s_{21}(dB) \tag{1}$$

The drive power can be optionally enhanced with a driver amplifier. To prevent the output signal driving the NWA receiver into compression, an attenuator can be inserted at the NWA input. Both driver amplifier and attenuator should be included in the calibration path.



**Fig 4. S-parameter and output compression power set-up**

In order to maintain small signal conditions for the S-parameter measurements, an input power of -20 dBm is applied.

### 6.3 Output third-order intercept point

The output intercept point (OIP3) is a figure of merit for linearity; see [Figure 5](#). The set-up is configured to achieve an accurate measurement of the OIP3; see [Figure 6](#). After the signal generators, a Low-Pass Filter (LPF) and isolator is applied, before combining the two signals. This configuration gives best isolation between the generators, hence IMD3 levels of the input signal < -80 dBc can be measured.

Please refer to the BGA7210 data sheet for power level and tone spacing values.

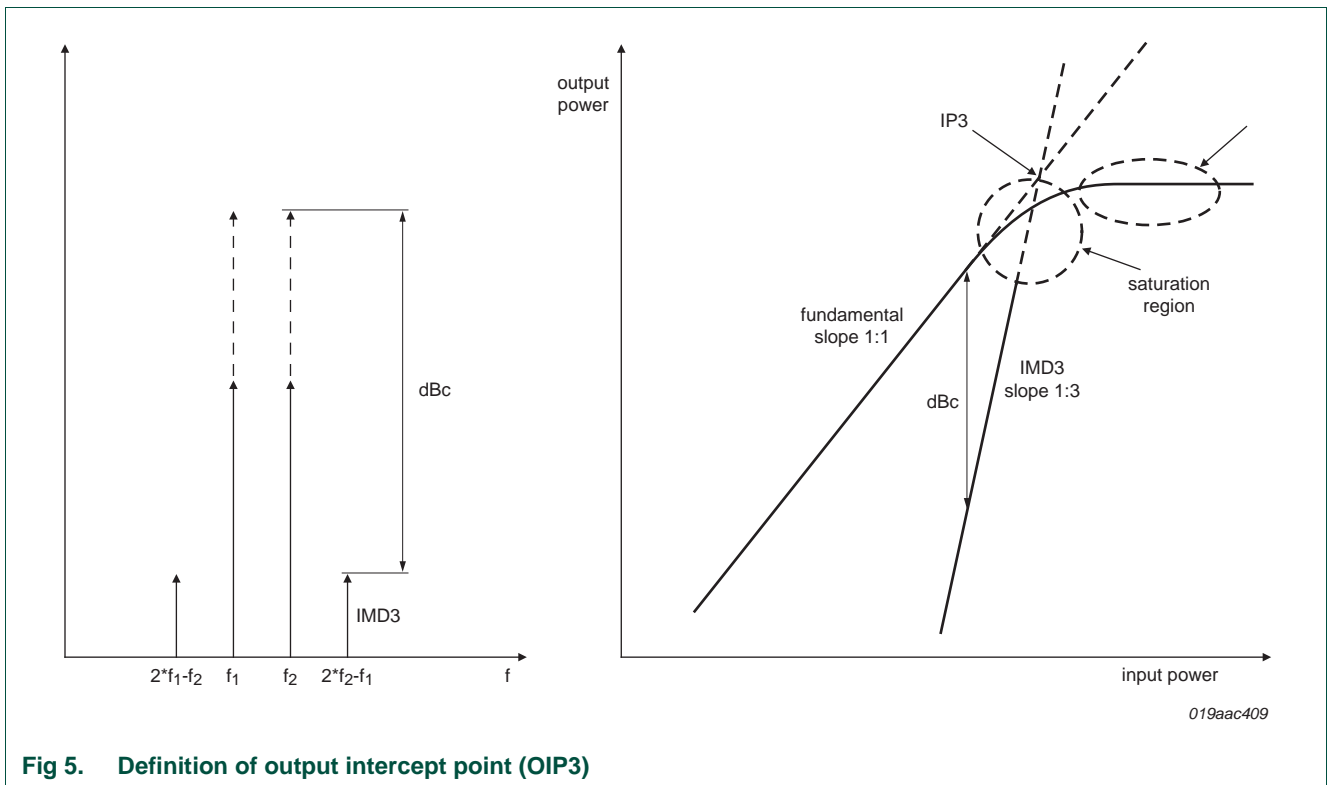


Fig 5. Definition of output intercept point (OIP3)

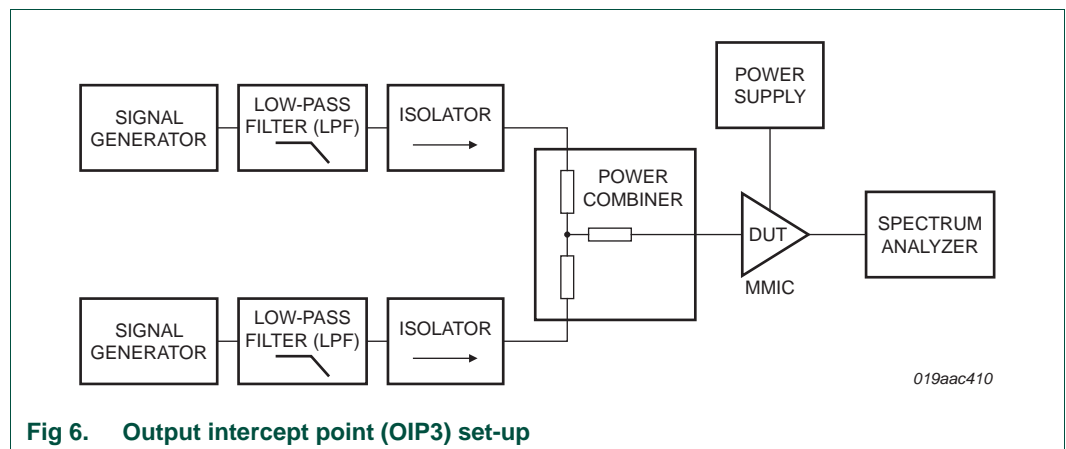
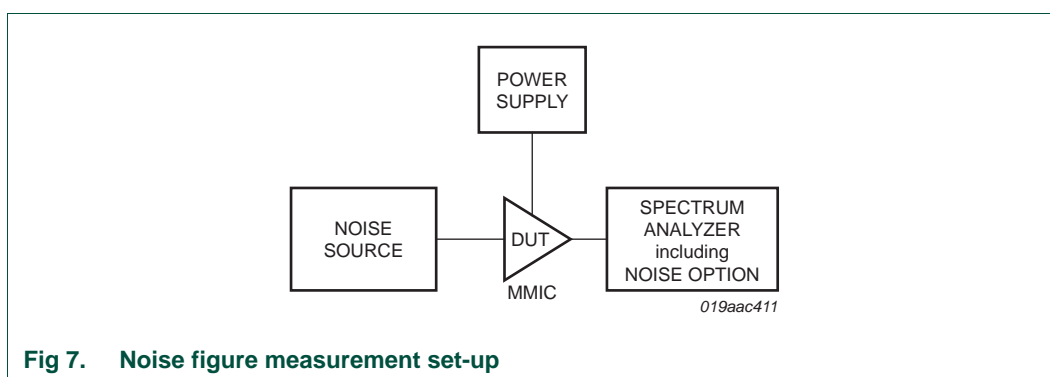


Fig 6. Output intercept point (OIP3) set-up



## 6.4 Noise

The Noise Figure (NF) is measured using a calibrated noise source with a specified Excess Noise Ratio (ENR), and a spectrum analyzer with a noise measurement option. The system is calibrated with this noise source in order to measure accurate noise figures; see [Figure 7](#).



**Fig 7. Noise figure measurement set-up**

7. Jumpers and connectors

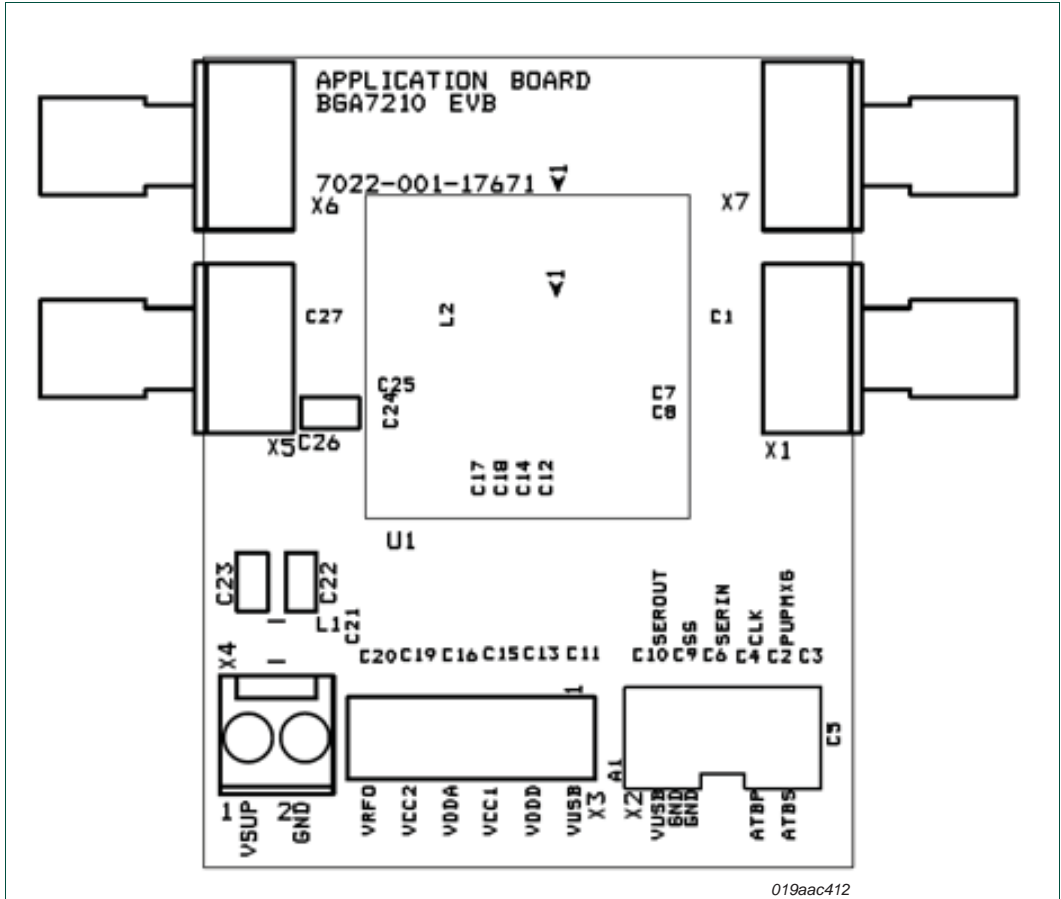
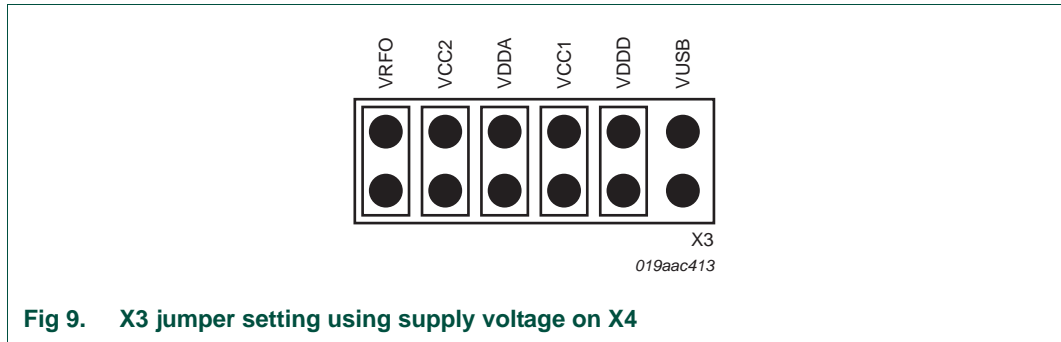


Fig 8. BGA7210 RF evaluation board jumpers and connectors

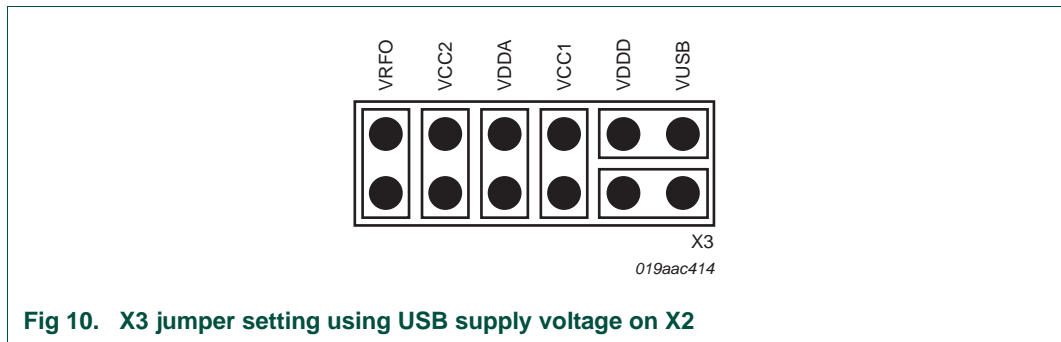
Table 1. RF evaluation board components

Component reference	Description
<b>RF connectors</b>	
X6, X7	calibration port for determining PCB losses
X1	RF in
X5	RF out
<b>Control interface</b>	
X2	USB interface board connector
<b>Voltage supply</b>	
X4	external supply voltage 5 V/200 mA
X3	power configuration jumper

The RF evaluation board is powered through connector X4. The X3 jumpers are set as shown in [Figure 9](#).



The 5 V provided by the USB port can be used for quick tests. In that case X4 should not be used and jumpers on X3 should be set as shown in [Figure 10](#).



## 8. Abbreviations

**Table 2. Abbreviations**

Acronym	Description
DUT	Device Under Test
ESD	ElectroStatic Discharge
IMD3	Inter-Modulation Distortion (third-order)
MMIC	Monolithic Microwave Integrated Circuit
PCB	Printed-Circuit Board
USB	Universal Serial Bus
VGA	Variable Gain Amplifier

## 9. Legal information

### 9.1 Definitions

**Draft** — The document is a draft version only. The content is still under internal review and subject to formal approval, which may result in modifications or additions. NXP Semiconductors does not give any representations or warranties as to the accuracy or completeness of information included herein and shall have no liability for the consequences of use of such information.

### 9.2 Disclaimers

**Limited warranty and liability** — Information in this document is believed to be accurate and reliable. However, NXP Semiconductors does not give any representations or warranties, expressed or implied, as to the accuracy or completeness of such information and shall have no liability for the consequences of use of such information.

In no event shall NXP Semiconductors be liable for any indirect, incidental, punitive, special or consequential damages (including - without limitation - lost profits, lost savings, business interruption, costs related to the removal or replacement of any products or rework charges) whether or not such damages are based on tort (including negligence), warranty, breach of contract or any other legal theory.

Notwithstanding any damages that customer might incur for any reason whatsoever, NXP Semiconductors' aggregate and cumulative liability towards customer for the products described herein shall be limited in accordance with the *Terms and conditions of commercial sale* of NXP Semiconductors.

**Right to make changes** — NXP Semiconductors reserves the right to make changes to information published in this document, including without limitation specifications and product descriptions, at any time and without notice. This document supersedes and replaces all information supplied prior to the publication hereof.

**Suitability for use** — NXP Semiconductors products are not designed, authorized or warranted to be suitable for use in life support, life-critical or safety-critical systems or equipment, nor in applications where failure or malfunction of an NXP Semiconductors product can reasonably be expected to result in personal injury, death or severe property or environmental damage. NXP Semiconductors accepts no liability for inclusion and/or use of NXP Semiconductors products in such equipment or applications and therefore such inclusion and/or use is at the customer's own risk.

**Applications** — Applications that are described herein for any of these products are for illustrative purposes only. NXP Semiconductors makes no representation or warranty that such applications will be suitable for the specified use without further testing or modification.

Customers are responsible for the design and operation of their applications and products using NXP Semiconductors products, and NXP Semiconductors accepts no liability for any assistance with applications or customer product

design. It is customer's sole responsibility to determine whether the NXP Semiconductors product is suitable and fit for the customer's applications and products planned, as well as for the planned application and use of customer's third party customer(s). Customers should provide appropriate design and operating safeguards to minimize the risks associated with their applications and products.

NXP Semiconductors does not accept any liability related to any default, damage, costs or problem which is based on any weakness or default in the customer's applications or products, or the application or use by customer's third party customer(s). Customer is responsible for doing all necessary testing for the customer's applications and products using NXP Semiconductors products in order to avoid a default of the applications and the products or of the application or use by customer's third party customer(s). NXP does not accept any liability in this respect.

**Export control** — This document as well as the item(s) described herein may be subject to export control regulations. Export might require a prior authorization from national authorities.

**Evaluation products** — This product is provided on an "as is" and "with all faults" basis for evaluation purposes only. NXP Semiconductors, its affiliates and their suppliers expressly disclaim all warranties, whether express, implied or statutory, including but not limited to the implied warranties of non-infringement, merchantability and fitness for a particular purpose. The entire risk as to the quality, or arising out of the use or performance, of this product remains with customer.

In no event shall NXP Semiconductors, its affiliates or their suppliers be liable to customer for any special, indirect, consequential, punitive or incidental damages (including without limitation damages for loss of business, business interruption, loss of use, loss of data or information, and the like) arising out of the use of or inability to use the product, whether or not based on tort (including negligence), strict liability, breach of contract, breach of warranty or any other theory, even if advised of the possibility of such damages.

Notwithstanding any damages that customer might incur for any reason whatsoever (including without limitation, all damages referenced above and all direct or general damages), the entire liability of NXP Semiconductors, its affiliates and their suppliers and customer's exclusive remedy for all of the foregoing shall be limited to actual damages incurred by customer based on reasonable reliance up to the greater of the amount actually paid by customer for the product or five dollars (US\$5.00). The foregoing limitations, exclusions and disclaimers shall apply to the maximum extent permitted by applicable law, even if any remedy fails of its essential purpose.

### 9.3 Trademarks

Notice: All referenced brands, product names, service names and trademarks are the property of their respective owners.

## 10. Contents

---

<b>1</b>	<b>Introduction</b> .....	<b>3</b>
<b>2</b>	<b>Quick start</b> .....	<b>3</b>
<b>3</b>	<b>Installation</b> .....	<b>3</b>
<b>4</b>	<b>Customer evaluation kit contents</b> .....	<b>4</b>
<b>5</b>	<b>Controlling the customer RF evaluation board</b>	<b>5</b>
5.1	Improving linearity .....	5
5.2	Quick tour .....	6
5.3	Setting current .....	6
5.4	Setting attenuation .....	6
5.5	Power save .....	6
<b>6</b>	<b>BGA7210 evaluation</b> .....	<b>7</b>
6.1	Calibration .....	7
6.2	S-parameters and output compression point ..	7
6.3	Output third-order intercept point .....	8
6.4	Noise .....	9
<b>7</b>	<b>Jumpers and connectors</b> .....	<b>10</b>
<b>8</b>	<b>Abbreviations</b> .....	<b>11</b>
<b>9</b>	<b>Legal information</b> .....	<b>12</b>
9.1	Definitions .....	12
9.2	Disclaimers .....	12
9.3	Trademarks .....	12
<b>10</b>	<b>Contents</b> .....	<b>13</b>

---

Please be aware that important notices concerning this document and the product(s) described herein, have been included in section 'Legal information'.

---

© NXP B.V. 2011.

All rights reserved.

For more information, please visit: <http://www.nxp.com>

For sales office addresses, please send an email to: [salesaddresses@nxp.com](mailto:salesaddresses@nxp.com)

Date of release: 26 July 2011

Document identifier: UM10480