

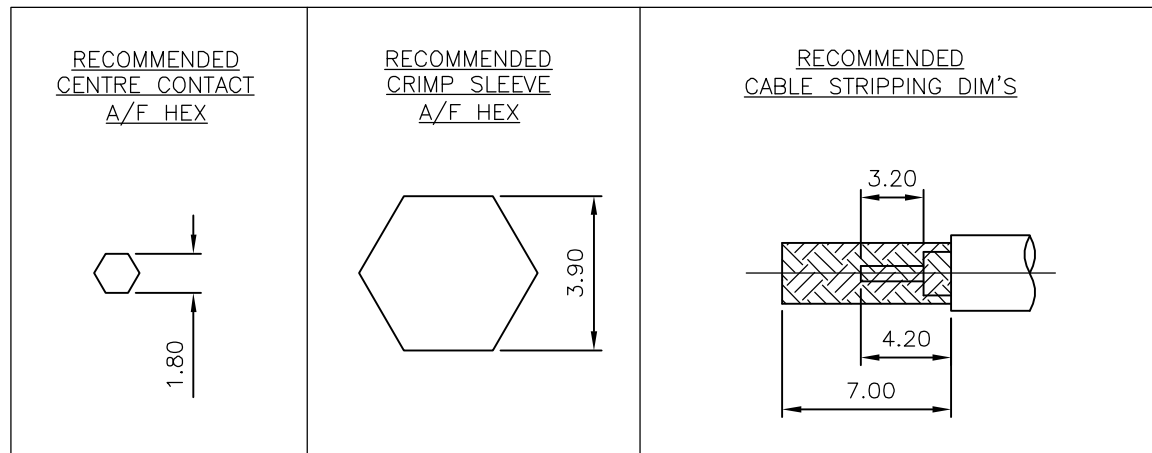
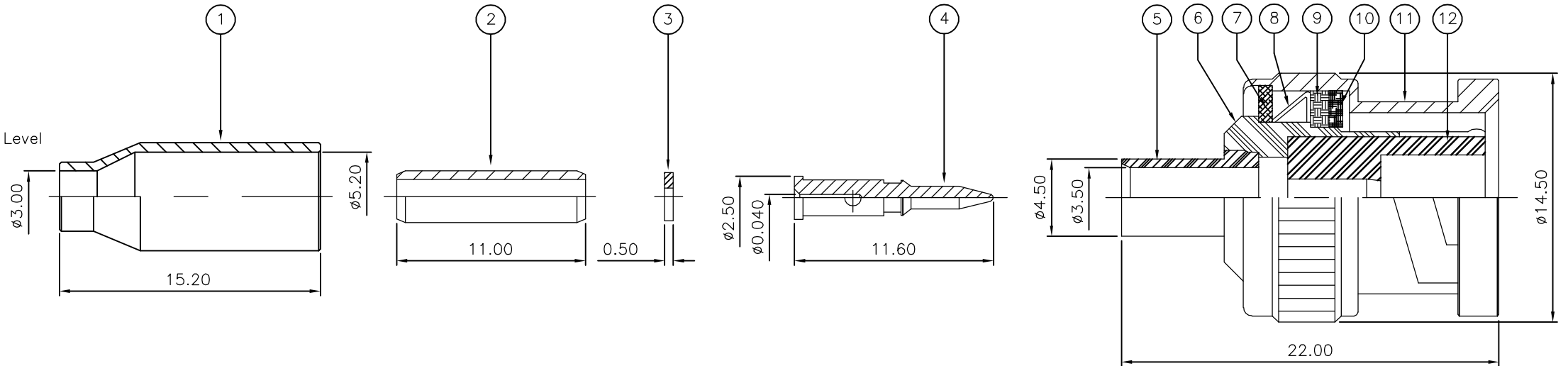
THIS DRAWING IS UNPUBLISHED. RELEASED FOR PUBLICATION JUNE ,2006.

© COPYRIGHT 2006 BY TYCO ELECTRONICS CORPORATION. ALL RIGHTS RESERVED.

| LOC | DIST | REVISIONS | | | | | |
|-----|------|-----------|-----|---------------|---------|-----|------|
| E | B | P | LTR | DESCRIPTION | DATE | DWN | APVD |
| | | B | | ECR-06-015596 | 28JUN06 | JMS | FWK |

NOTES:

- 1 PACK IN ACCORDANCE WITH AMP SPEC 107-3275
- 2 100 TRAY PACK IN ACCORDANCE WITH AMP SPEC 107-3275
- 3 Au PLATING
- 4 Ni PLATING
- 5 THIS ITEM MUST BE WHITE
- 6 HAND TOOL : 9-1478240-0
- 7 DIE SET : 9-1478245-0
- 8 ELECTRICAL CHARACTERISTICS
 FREQUENCY RANGE: DC - 4 GHz
 NOMINAL IMPEDANCE: 50 Ohm
 INSULATION RESISTANCE: 5000 MOhm
 WORKING VOLTAGE: 500 Volts RMS at Sea Level
 DIELECTRIC WITHSTAND VOLTAGE: 1500 Volts RMS Max
 CONTACT RESISTANCE:
 CENTRE CONTACT: 1.50 mOhm Max
 OUTER CONTACT: 0.20 mOhm Max
 VSWR @ 4GHz: 1.30:1 Max
 INSERTION LOSS dB @ x 3 GHz: 0.20 Max
- 9 MECHANICAL CHARACTERISTICS
 COUPLING NUT RETENTION FORCE: 445N Min
 CABLE RETENTION FORCE: 85N Min
 DURABILITY: 500 Cycles Min
- 10 ENVIRONMENTAL CHARACTERISTICS
 OPERATING TEMPERATURE: -65 to +165 DegC
- 11 FOR TECHNICAL DATA REFER TO YOUR LOCAL TYCO ELECTRONICS SALES OFFICE
- 12 ALL DIMENSIONS ARE NOMINAL FOR REFERENCE ONLY UNLESS OTHERWISE STATED



| QTY | QTY | QTY | QTY | MATERIAL | DESCRIPTION | ITEM |
|------|------|-----|-----|-----------------|------------------|------|
| 1 | 1 | | | PTFE | INSULATION | 12 |
| 1 | 1 | | | BRASS | 4 SHELL | 11 |
| 1 | 1 | | | SILICONE RUBBER | 5 GASKET | 10 |
| 1 | 1 | | | BRASS | 4 RETAINING RING | 9 |
| 1 | 1 | | | SPRING STEEL | 4 SPRING | 8 |
| 1 | 1 | | | BRASS | 4 WASHER | 7 |
| 1 | 1 | | | BRASS | 4 BODY | 6 |
| 1 | 1 | | | BRASS | 4 CHASSIS | 5 |
| 1 | 1 | | | BRASS | 3 CONTACT | 4 |
| 1 | 1 | | | PTFE | INSULATION | 3 |
| 1 | 1 | | | BRASS | 4 PUSHER SLEEVE | 2 |
| 1 | 1 | | | BRASS | 3 FERRULE | 1 |
| 6--0 | 1--0 | | | MATERIAL | DESCRIPTION | ITEM |

| | | | | | | |
|---|--|-----------------------------|---|-----------------|----------------------|-----------------|
| THIS DRAWING IS A CONTROLLED DOCUMENT. | | DWN J.SANDWELL 28JUN06 | Tyco Electronics Corporation Bideford EX39 4HE | | | |
| DIMENSIONS: mm | | CHK S.PARLOW 28JUN06 | | | | |
| TOLERANCES UNLESS OTHERWISE SPECIFIED: | | APVD F.WHEELER-KING 28JUN06 | NAME | | | |
| 0 PLC ± - 1 PLC ± - 2 PLC ± - 3 PLC ± - 4 PLC ± - ANGLES ± - FINISH - | | PRODUCT SPEC - | BNC STRAIGHT PLUG CRIMP 50 OHM RG178B/U, 196A/U, URM110, KX21A | | | |
| MATERIAL SEE TABLE | | APPLICATION SPEC 411-3247 | SIZE A3 | CAGE CODE 00779 | DRAWING NO C-1478110 | RESTRICTED TO - |
| CUSTOMER DRAWING | | | SCALE NTS | SHEET 1 OF 1 | REV B | |