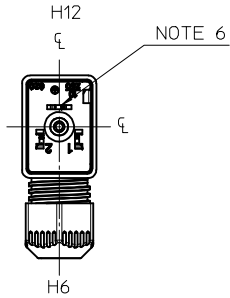
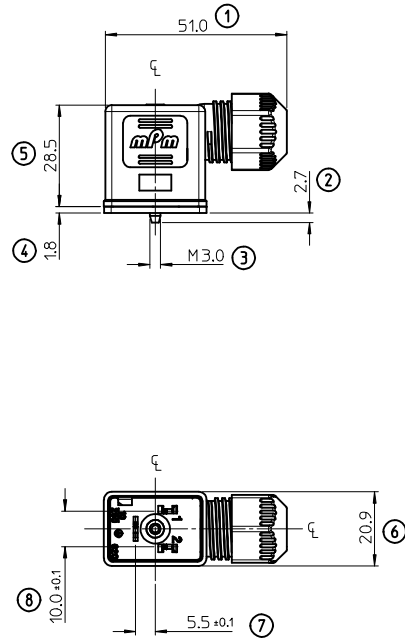


ITEM	DESCRIPTION
1	31mm M3 SCREW WITH GASKET
2	TYPE B COVER
3	PCB
4	TYPE B ISO INSERT
5	TYPE B GASKET
6	GROMMET
7	EXTERNAL NUT

S92200NC410T**

SERIES _____
 S92= EXTERNAL THREAD FORM B ISO
 POLES _____
 2= 2 POLE
 THREAD _____
 00 = EXTERNAL THREAD
 MATERIAL AND HOUSING COLOR _____
 G= PA6 GRAY, N= PA6 BLACK, W= PA6 BLACK V0,
 B= WHITE, T= TRANSPARENT
 CIRCUIT _____
 SEE DETAILS IN CATALOGUE
 VOLTAGE _____
 SEE DETAILS IN CATALOGUE
 GROUND POSITION _____
 0= UNMOUNTED, 2= H12 & 6 =H6
 SCREW AND GASKET _____
 T= NBR PROFILE GASKET AND IP67 SCREW
 U= SILICON PROFILE GASKET AND IP67 SCREW
 NON STANDARD PACKAGING _____
 CN= BULK PACK UN-MOUNTED
 SN= BULK PACK MOUNTED
 67= NEUTRAL PACKAGING
 SA= UL LISTED



NOTES:

- FOR SPECIFIC PART NUMBERS PLEASE CONTACT SALES OR CONSULT THE INTELLIGENT PART NUMBERS IN THE TABLE ATTACHED
- PACKAGING SPECIFICATION: PLEASE SEE PK-121201-001
- PRODUCT SPECIFICATION: PLEASE SEE PS-121201-001
- CABLE SIZES 4 - 9 MM DIAMETER
- TIGHTENING TORQUES: SEE PS-121201-001
- GROUND POSITION SHOWN H12

LAST INSPECTION NUMBER 8

ADDED P/N EC NO: IPG2013-0717 DRWN:DSHEA 2012/11/16 CHKD:SMGREVY 2012/11/21 APPR:STGRJFFIN 2012/11/29 DESCRIPTION REV	QUALITY SYMBOLS ▽=0 ▽=0	GENERAL TOLERANCES (UNLESS SPECIFIED) mm INCH 4 PLACES ±--- ±--- 3 PLACES ±--- ±--- 2 PLACES ±0.1 ±--- 1 PLACE ±0.2 ±--- ANGULAR ±---°	DIMENSION STYLE MM ONLY DRAWN BY DATE DCARTON 2010/07/21 CHECKED BY DATE DMAHER 2010/07/21 APPROVED BY DATE EFOLAN 2010/08/09	SCALE 1:1 DESIGN UNITS METRIC THIRD ANGLE PROJECTION	TITLE EXTERNAL THREAD S92 SERIES 121209	MATERIAL NO. SEE TABLES	DOCUMENT NO. SD-121209-001	SHEET NO. 1 OF 6
	DRAFT WHERE APPLICABLE MUST REMAIN WITHIN DIMENSIONS THIS DRAWING CONTAINS INFORMATION THAT IS PROPRIETARY TO MOLEX INCORPORATED AND SHOULD NOT BE USED WITHOUT WRITTEN PERMISSION							

Part No	MPM Part No	DESCRIPTION	CIRCUIT	VOLTAGE	INDICATOR
1212090001	S92200TA010T	TYPE B ISO TRANSPARENT	A0	12v	LAMP/NEON
1212090002	S92200TA020T	TYPE B ISO TRANSPARENT	A0	24v	LAMP/NEON
1212090003	S92200TA030T	TYPE B ISO TRANSPARENT	A0	48v	LAMP/NEON
1212090004	S92200TA040T	TYPE B ISO TRANSPARENT	A0	115v	LAMP/NEON
1212090005	S92200TA050T	TYPE B ISO TRANSPARENT	A0	230v	LAMP/NEON

Part No	MPM Part No	DESCRIPTION	CIRCUIT	VOLTAGE	INDICATOR
1212090006	S92200TA110T	TYPE B ISO TRANSPARENT	A1	12v	RED LED
1212090007	S92200TA120T	TYPE B ISO TRANSPARENT	A1	24v	RED LED
1212090008	S92200TA130T	TYPE B ISO TRANSPARENT	A1	48v	RED LED
1212090009	S92200TA140T	TYPE B ISO TRANSPARENT	A1	115v	RED LED
1212090010	S92200TA150T	TYPE B ISO TRANSPARENT	A1	230v	RED LED
1212090011	S92200TA1A0T	TYPE B ISO TRANSPARENT	A1	12v	GREEN LED
1212090012	S92200TA1B0T	TYPE B ISO TRANSPARENT	A1	24v	GREEN LED
1212090013	S92200TA1C0T	TYPE B ISO TRANSPARENT	A1	48v	GREEN LED
1212090014	S92200TA1D0T	TYPE B ISO TRANSPARENT	A1	115v	GREEN LED
1212090015	S92200TA1E0T	TYPE B ISO TRANSPARENT	A1	230v	GREEN LED
1212090016	S92200TA1G0T	TYPE B ISO TRANSPARENT	A1	12v	AMBER LED
1212090017	S92200TA1H0T	TYPE B ISO TRANSPARENT	A1	24v	AMBER LED
1212090018	S92200TA1K0T	TYPE B ISO TRANSPARENT	A1	48v	AMBER LED
1212090019	S92200TA1L0T	TYPE B ISO TRANSPARENT	A1	115v	AMBER LED
1212090020	S92200TA1M0T	TYPE B ISO TRANSPARENT	A1	230v	AMBER LED
1212090241	S92200TA1H0TSA	TYPE B ISO TRANSPARENT UL LISTED	A1	24v	AMBER LED

Part No	MPM Part No	DESCRIPTION	CIRCUIT	VOLTAGE	INDICATOR
1212090021	S92200TC310T	TYPE B ISO TRANSPARENT	C3	12v	RED LED
1212090022	S92200TC320T	TYPE B ISO TRANSPARENT	C3	24v	RED LED
1212090023	S92200TC330T	TYPE B ISO TRANSPARENT	C3	48v	RED LED
1212090024	S92200TC340T	TYPE B ISO TRANSPARENT	C3	115v	RED LED
1212090025	S92200TC350T	TYPE B ISO TRANSPARENT	C3	230v	RED LED
1212090026	S92200TC3A0T	TYPE B ISO TRANSPARENT	C3	12v	GREEN LED
1212090027	S92200TC3B0T	TYPE B ISO TRANSPARENT	C3	24v	GREEN LED
1212090028	S92200TC3C0T	TYPE B ISO TRANSPARENT	C3	48v	GREEN LED
1212090029	S92200TC3D0T	TYPE B ISO TRANSPARENT	C3	115v	GREEN LED
1212090030	S92200TC3E0T	TYPE B ISO TRANSPARENT	C3	230v	GREEN LED
1212090031	S92200TC3G0T	TYPE B ISO TRANSPARENT	C3	12v	AMBER LED
1212090032	S92200TC3H0T	TYPE B ISO TRANSPARENT	C3	24v	AMBER LED
1212090033	S92200TC3K0T	TYPE B ISO TRANSPARENT	C3	48v	AMBER LED
1212090034	S92200TC3L0T	TYPE B ISO TRANSPARENT	C3	115v	AMBER LED
1212090035	S92200TC3M0T	TYPE B ISO TRANSPARENT	C3	230v	AMBER LED

Part No	MPM Part No	DESCRIPTION	CIRCUIT	VOLTAGE	INDICATOR
1212090036	S92200TC410T	TYPE B ISO TRANSPARENT	C4	12v	RED LED
1212090037	S92200TC420T	TYPE B ISO TRANSPARENT	C4	24v	RED LED
1212090038	S92200TC430T	TYPE B ISO TRANSPARENT	C4	48v	RED LED
1212090039	S92200TC440T	TYPE B ISO TRANSPARENT	C4	115v	RED LED
1212090040	S92200TC450T	TYPE B ISO TRANSPARENT	C4	230v	RED LED
1212090041	S92200TC4A0T	TYPE B ISO TRANSPARENT	C4	12v	GREEN LED
1212090042	S92200TC4B0T	TYPE B ISO TRANSPARENT	C4	24v	GREEN LED
1212090043	S92200TC4C0T	TYPE B ISO TRANSPARENT	C4	48v	GREEN LED
1212090044	S92200TC4D0T	TYPE B ISO TRANSPARENT	C4	115v	GREEN LED
1212090045	S92200TC4E0T	TYPE B ISO TRANSPARENT	C4	230v	GREEN LED
1212090046	S92200TC4G0T	TYPE B ISO TRANSPARENT	C4	12v	AMBER LED
1212090047	S92200TC4H0T	TYPE B ISO TRANSPARENT	C4	24v	AMBER LED
1212090048	S92200TC4K0T	TYPE B ISO TRANSPARENT	C4	48v	AMBER LED
1212090049	S92200TC4L0T	TYPE B ISO TRANSPARENT	C4	115v	AMBER LED
1212090050	S92200TC4M0T	TYPE B ISO TRANSPARENT	C4	230v	AMBER LED

Part No	MPM Part No	DESCRIPTION	CIRCUIT	VOLTAGE	INDICATOR
1212090051	S92200TD010T	TYPE B ISO TRANSPARENT	D0	12v	VDR
1212090052	S92200TD020T	TYPE B ISO TRANSPARENT	D0	24v	VDR
1212090053	S92200TD030T	TYPE B ISO TRANSPARENT	D0	48v	VDR
1212090054	S92200TD040T	TYPE B ISO TRANSPARENT	D0	115v	VDR
1212090055	S92200TD050T	TYPE B ISO TRANSPARENT	D0	230v	VDR

Part No	MPM Part No	DESCRIPTION	CIRCUIT	VOLTAGE	INDICATOR
1212090060	S92200NE050T	TYPE B ISO BLACK	E0	230v	DIODE

SEE SHEET 1 EC NO: IPG2013-0717 DRAWN: J05HEA 2012/11/16 CHKD: SMC GREVY 2012/11/21 APPR: STGRJFFIN 2012/11/29 DESCRIPTION	QUALITY SYMBOLS ▽=0 ▽=0	GENERAL TOLERANCES (UNLESS SPECIFIED) <table border="1"> <tr> <th></th> <th>mm</th> <th>INCH</th> </tr> <tr> <td>4 PLACES</td> <td>±.005</td> <td>±.0002</td> </tr> <tr> <td>3 PLACES</td> <td>±.008</td> <td>±.0003</td> </tr> <tr> <td>2 PLACES</td> <td>±.015</td> <td>±.0006</td> </tr> <tr> <td>1 PLACE</td> <td>±.030</td> <td>±.0012</td> </tr> <tr> <td colspan="3">ANGULAR ±.005</td> </tr> </table>		mm	INCH	4 PLACES	±.005	±.0002	3 PLACES	±.008	±.0003	2 PLACES	±.015	±.0006	1 PLACE	±.030	±.0012	ANGULAR ±.005			DIMENSION STYLE MM ONLY	SCALE 1:1	DESIGN UNITS METRIC	THIRD ANGLE PROJECTION
		mm	INCH																					
	4 PLACES	±.005	±.0002																					
	3 PLACES	±.008	±.0003																					
2 PLACES	±.015	±.0006																						
1 PLACE	±.030	±.0012																						
ANGULAR ±.005																								
DRAWN BY DCARTON	DATE 2010/07/21	TITLE EXTERNAL THREAD S92 SERIES 121209																						
CHECKED BY DMAHER	DATE 2010/07/21																							
APPROVED BY EFOLAN	DATE 2010/08/09	MOLEX INCORPORATED																						
MATERIAL NO. SEE TABLES		DOCUMENT NO. SD-121209-001			SHEET NO. 2 OF 6																			
DRAFT WHERE APPLICABLE MUST REMAIN WITHIN DIMENSIONS THIS DRAWING CONTAINS INFORMATION THAT IS PROPRIETARY TO MOLEX INCORPORATED AND SHOULD NOT BE USED WITHOUT WRITTEN PERMISSION																								

Part No	MPM Part No	DESCRIPTION	CIRCUIT	VOLTAGE	INDICATOR
1212090061	S92200TS010T	TYPE B ISO TRANSPARENT	S0	12v	RED LED
1212090062	S92200TS020T	TYPE B ISO TRANSPARENT	S0	24v	RED LED
1212090063	S92200TS030T	TYPE B ISO TRANSPARENT	S0	48v	RED LED
1212090064	S92200TS040T	TYPE B ISO TRANSPARENT	S0	115v	RED LED
1212090065	S92200TS050T	TYPE B ISO TRANSPARENT	S0	230v	RED LED
1212090066	S92200TSA0T	TYPE B ISO TRANSPARENT	S0	12v	GREEN LED
1212090067	S92200TS0B0T	TYPE B ISO TRANSPARENT	S0	24v	GREEN LED
1212090068	S92200TSC0T	TYPE B ISO TRANSPARENT	S0	48v	GREEN LED
1212090069	S92200TSD0T	TYPE B ISO TRANSPARENT	S0	115v	GREEN LED
1212090070	S92200TSE0T	TYPE B ISO TRANSPARENT	S0	230v	GREEN LED
1212090071	S92200TS0G0T	TYPE B ISO TRANSPARENT	S0	12v	AMBER LED
1212090072	S92200TSH0T	TYPE B ISO TRANSPARENT	S0	24v	AMBER LED
1212090073	S92200TS0K0T	TYPE B ISO TRANSPARENT	S0	48v	AMBER LED
1212090074	S92200TSL0T	TYPE B ISO TRANSPARENT	S0	115v	AMBER LED
1212090075	S92200TSM0T	TYPE B ISO TRANSPARENT	S0	230v	AMBER LED

Part No	MPM Part No	DESCRIPTION	CIRCUIT	VOLTAGE	INDICATOR
1212090086	S92200TA110TCN	TYPE B ISO TRANSPARENT	A1	12v	RED LED
1212090087	S92200TA120TCN	TYPE B ISO TRANSPARENT	A1	24v	RED LED
1212090088	S92200TA130TCN	TYPE B ISO TRANSPARENT	A1	48v	RED LED
1212090089	S92200TA140TCN	TYPE B ISO TRANSPARENT	A1	115v	RED LED
1212090090	S92200TA150TCN	TYPE B ISO TRANSPARENT	A1	230v	RED LED
1212090091	S92200TA1A0TCN	TYPE B ISO TRANSPARENT	A1	12v	GREEN LED
1212090092	S92200TA1B0TCN	TYPE B ISO TRANSPARENT	A1	24v	GREEN LED
1212090093	S92200TA1C0TCN	TYPE B ISO TRANSPARENT	A1	48v	GREEN LED
1212090094	S92200TA1D0TCN	TYPE B ISO TRANSPARENT	A1	115v	GREEN LED
1212090095	S92200TA1E0TCN	TYPE B ISO TRANSPARENT	A1	230v	GREEN LED
1212090096	S92200TA1G0TCN	TYPE B ISO TRANSPARENT	A1	12v	AMBER LED
1212090097	S92200TA1H0TCN	TYPE B ISO TRANSPARENT	A1	24v	AMBER LED
1212090098	S92200TA1K0TCN	TYPE B ISO TRANSPARENT	A1	48v	AMBER LED
1212090099	S92200TA1L0TCN	TYPE B ISO TRANSPARENT	A1	115v	AMBER LED
1212090100	S92200TA1M0TCN	TYPE B ISO TRANSPARENT	A1	230v	AMBER LED

Part No	MPM Part No	DESCRIPTION	CIRCUIT	VOLTAGE	INDICATOR
1212090076	S92200NS110T	TYPE B ISO BLACK	S1	12v	NO LED
1212090077	S92200NS120T	TYPE B ISO BLACK	S1	24v	NO LED
1212090078	S92200NS130T	TYPE B ISO BLACK	S1	48v	NO LED
1212090079	S92200NS140T	TYPE B ISO BLACK	S1	115v	NO LED
1212090080	S92200NS150T	TYPE B ISO BLACK	S1	230v	NO LED

Part No	MPM Part No	DESCRIPTION	CIRCUIT	VOLTAGE	INDICATOR
1212090101	S92200TC310TCN	TYPE B ISO TRANSPARENT	C3	12v	RED LED
1212090102	S92200TC320TCN	TYPE B ISO TRANSPARENT	C3	24v	RED LED
1212090103	S92200TC330TCN	TYPE B ISO TRANSPARENT	C3	48v	RED LED
1212090104	S92200TC340TCN	TYPE B ISO TRANSPARENT	C3	115v	RED LED
1212090105	S92200TC350TCN	TYPE B ISO TRANSPARENT	C3	230v	RED LED
1212090106	S92200TC3A0TCN	TYPE B ISO TRANSPARENT	C3	12v	GREEN LED
1212090107	S92200TC3B0TCN	TYPE B ISO TRANSPARENT	C3	24v	GREEN LED
1212090108	S92200TC3C0TCN	TYPE B ISO TRANSPARENT	C3	48v	GREEN LED
1212090109	S92200TC3D0TCN	TYPE B ISO TRANSPARENT	C3	115v	GREEN LED
1212090110	S92200TC3E0TCN	TYPE B ISO TRANSPARENT	C3	230v	GREEN LED
1212090111	S92200TC3G0TCN	TYPE B ISO TRANSPARENT	C3	12v	AMBER LED
1212090112	S92200TC3H0TCN	TYPE B ISO TRANSPARENT	C3	24v	AMBER LED
1212090113	S92200TC3K0TCN	TYPE B ISO TRANSPARENT	C3	48v	AMBER LED
1212090114	S92200TC3L0TCN	TYPE B ISO TRANSPARENT	C3	115v	AMBER LED
1212090115	S92200TC3M0TCN	TYPE B ISO TRANSPARENT	C3	230v	AMBER LED

Part No	MPM Part No	DESCRIPTION	CIRCUIT	VOLTAGE	INDICATOR
1212090081	S92200TA010TCN	TYPE B ISO TRANSPARENT	A0	12v	LAMP/NEON
1212090082	S92200TA020TCN	TYPE B ISO TRANSPARENT	A0	24v	LAMP/NEON
1212090083	S92200TA030TCN	TYPE B ISO TRANSPARENT	A0	48v	LAMP/NEON
1212090084	S92200TA040TCN	TYPE B ISO TRANSPARENT	A0	115v	LAMP/NEON
1212090085	S92200TA050TCN	TYPE B ISO TRANSPARENT	A0	230v	LAMP/NEON

SEE SHEET 1 EC NO: IPG2013-0717 DRW: JDSHEA 2012/11/16 CHK: SMCREVEY 2012/11/21 APPR: STIGLFFIN 2012/11/29	QUALITY SYMBOLS	GENERAL TOLERANCES (UNLESS SPECIFIED)	DIMENSION STYLE MM ONLY	SCALE 1:1	DESIGN UNITS METRIC	THIRD ANGLE PROJECTION																																
	$\nabla=0$ $\nabla=0$	<table border="1"> <tr><th></th><th>mm</th><th>INCH</th></tr> <tr><td>4 PLACES</td><td>± ---</td><td>± ---</td></tr> <tr><td>3 PLACES</td><td>± ---</td><td>± ---</td></tr> <tr><td>2 PLACES</td><td>± 0.1</td><td>± ---</td></tr> <tr><td>1 PLACE</td><td>± 0.2</td><td>± ---</td></tr> <tr><td colspan="3">ANGULAR ± ---°</td></tr> </table>		mm	INCH	4 PLACES	± ---	± ---	3 PLACES	± ---	± ---	2 PLACES	± 0.1	± ---	1 PLACE	± 0.2	± ---	ANGULAR ± ---°			<table border="1"> <tr><th>DRAWN BY</th><th>DATE</th><th>TITLE</th></tr> <tr><td>DCARTON</td><td>2010/07/21</td><td rowspan="3">EXTERNAL THREAD S92 SERIES 121209</td></tr> <tr><th>CHECKED BY</th><th>DATE</th></tr> <tr><td>DMAHER</td><td>2010/07/21</td></tr> <tr><th>APPROVED BY</th><th>DATE</th></tr> <tr><td>EFOLAN</td><td>2010/08/09</td></tr> </table>	DRAWN BY	DATE	TITLE	DCARTON	2010/07/21	EXTERNAL THREAD S92 SERIES 121209	CHECKED BY	DATE	DMAHER	2010/07/21	APPROVED BY	DATE	EFOLAN	2010/08/09	MOLEX INCORPORATED		
		mm	INCH																																			
	4 PLACES	± ---	± ---																																			
3 PLACES	± ---	± ---																																				
2 PLACES	± 0.1	± ---																																				
1 PLACE	± 0.2	± ---																																				
ANGULAR ± ---°																																						
DRAWN BY	DATE	TITLE																																				
DCARTON	2010/07/21	EXTERNAL THREAD S92 SERIES 121209																																				
CHECKED BY	DATE																																					
DMAHER	2010/07/21																																					
APPROVED BY	DATE																																					
EFOLAN	2010/08/09																																					
DRAFT WHERE APPLICABLE MUST REMAIN WITHIN DIMENSIONS	MATERIAL NO. SEE TABLES	DOCUMENT NO. SD-121209-001	SHEET NO. 3 OF 6																																			
THIS DRAWING CONTAINS INFORMATION THAT IS PROPRIETARY TO MOLEX INCORPORATED AND SHOULD NOT BE USED WITHOUT WRITTEN PERMISSION																																						

Part No	MPM Part No	DESCRIPTION	CIRCUIT	VOLTAGE	INDICATOR
1212090116	S92200TC410TCN	TYPE B ISO TRANSPARENT	C4	12v	RED LED
1212090117	S92200TC420TCN	TYPE B ISO TRANSPARENT	C4	24v	RED LED
1212090118	S92200TC430TCN	TYPE B ISO TRANSPARENT	C4	48v	RED LED
1212090119	S92200TC440TCN	TYPE B ISO TRANSPARENT	C4	115v	RED LED
1212090120	S92200TC450TCN	TYPE B ISO TRANSPARENT	C4	230v	RED LED
1212090121	S92200TC4A0TCN	TYPE B ISO TRANSPARENT	C4	12v	GREEN LED
1212090122	S92200TC4B0TCN	TYPE B ISO TRANSPARENT	C4	24v	GREEN LED
1212090123	S92200TC4C0TCN	TYPE B ISO TRANSPARENT	C4	48v	GREEN LED
1212090124	S92200TC4D0TCN	TYPE B ISO TRANSPARENT	C4	115v	GREEN LED
1212090125	S92200TC4E0TCN	TYPE B ISO TRANSPARENT	C4	230v	GREEN LED
1212090126	S92200TC4G0TCN	TYPE B ISO TRANSPARENT	C4	12v	AMBER LED
1212090127	S92200TC4H0TCN	TYPE B ISO TRANSPARENT	C4	24v	AMBER LED
1212090128	S92200TC4K0TCN	TYPE B ISO TRANSPARENT	C4	48v	AMBER LED
1212090129	S92200TC4L0TCN	TYPE B ISO TRANSPARENT	C4	115v	AMBER LED
1212090130	S92200TC4M0TCN	TYPE B ISO TRANSPARENT	C4	230v	AMBER LED

Part No	MPM Part No	DESCRIPTION	CIRCUIT	VOLTAGE	INDICATOR
1212090141	S92200TS010TCN	TYPE B ISO TRANSPARENT	S0	12v	RED LED
1212090142	S92200TS020TCN	TYPE B ISO TRANSPARENT	S0	24v	RED LED
1212090143	S92200TS030TCN	TYPE B ISO TRANSPARENT	S0	48v	RED LED
1212090144	S92200TS040TCN	TYPE B ISO TRANSPARENT	S0	115v	RED LED
1212090145	S92200TS050TCN	TYPE B ISO TRANSPARENT	S0	230v	RED LED
1212090146	S92200TS0A0TCN	TYPE B ISO TRANSPARENT	S0	12v	GREEN LED
1212090147	S92200TS0B0TCN	TYPE B ISO TRANSPARENT	S0	24v	GREEN LED
1212090148	S92200TS0C0TCN	TYPE B ISO TRANSPARENT	S0	48v	GREEN LED
1212090149	S92200TS0D0TCN	TYPE B ISO TRANSPARENT	S0	115v	GREEN LED
1212090150	S92200TS0E0TCN	TYPE B ISO TRANSPARENT	S0	230v	GREEN LED
1212090151	S92200TS0G0TCN	TYPE B ISO TRANSPARENT	S0	12v	AMBER LED
1212090152	S92200TS0H0TCN	TYPE B ISO TRANSPARENT	S0	24v	AMBER LED
1212090153	S92200TS0K0TCN	TYPE B ISO TRANSPARENT	S0	48v	AMBER LED
1212090154	S92200TS0L0TCN	TYPE B ISO TRANSPARENT	S0	115v	AMBER LED
1212090155	S92200TS0M0TCN	TYPE B ISO TRANSPARENT	S0	230v	AMBER LED

Part No	MPM Part No	DESCRIPTION	CIRCUIT	VOLTAGE	INDICATOR
1212090131	S92200TD010TCN	TYPE B ISO TRANSPARENT	D0	12v	VDR
1212090132	S92200TD020TCN	TYPE B ISO TRANSPARENT	D0	24v	VDR
1212090133	S92200TD030TCN	TYPE B ISO TRANSPARENT	D0	48v	VDR
1212090134	S92200TD040TCN	TYPE B ISO TRANSPARENT	D0	115v	VDR
1212090135	S92200TD050TCN	TYPE B ISO TRANSPARENT	D0	230v	VDR

Part No	MPM Part No	DESCRIPTION	CIRCUIT	VOLTAGE	INDICATOR
1212090156	S92200NS110TCN	TYPE B ISO BLACK	S1	12v	NO LED
1212090157	S92200NS120TCN	TYPE B ISO BLACK	S1	24v	NO LED
1212090158	S92200NS130TCN	TYPE B ISO BLACK	S1	48v	NO LED
1212090159	S92200NS140TCN	TYPE B ISO BLACK	S1	115v	NO LED
1212090160	S92200NS150TCN	TYPE B ISO BLACK	S1	230v	NO LED

Part No	MPM Part No	DESCRIPTION	CIRCUIT	VOLTAGE	INDICATOR
1212090140	S92200NE050TCN	TYPE B ISO BLACK	E0	230v	DIODE

Part No	MPM Part No	DESCRIPTION	CIRCUIT	VOLTAGE	INDICATOR
1212090161	S92200TA012TSN	TYPE B ISO TRANSPARENT	A0	12v	LAMP/NEON
1212090162	S92200TA022TSN	TYPE B ISO TRANSPARENT	A0	24v	LAMP/NEON
1212090163	S92200TA032TSN	TYPE B ISO TRANSPARENT	A0	48v	LAMP/NEON
1212090164	S92200TA042TSN	TYPE B ISO TRANSPARENT	A0	115v	LAMP/NEON
1212090165	S92200TA052TSN	TYPE B ISO TRANSPARENT	A0	230v	LAMP/NEON

SEE SHEET 1 EC NO: IPG2013-0717 DRW:JDSHEA 2012/11/16 CHKD:SMGREVY 2012/11/21 APPR:STGERLFIN 2012/11/29	QUALITY SYMBOLS ▽=0 ▽=0	GENERAL TOLERANCES (UNLESS SPECIFIED) <table border="1"> <tr><th></th><th>mm</th><th>INCH</th></tr> <tr><td>4 PLACES</td><td>± .005</td><td>± .0004</td></tr> <tr><td>3 PLACES</td><td>± .008</td><td>± .0003</td></tr> <tr><td>2 PLACES</td><td>± 0.1</td><td>± .004</td></tr> <tr><td>1 PLACE</td><td>± 0.2</td><td>± .008</td></tr> <tr><td colspan="3">ANGULAR ± .005°</td></tr> </table>		mm	INCH	4 PLACES	± .005	± .0004	3 PLACES	± .008	± .0003	2 PLACES	± 0.1	± .004	1 PLACE	± 0.2	± .008	ANGULAR ± .005°			DIMENSION STYLE MM ONLY	SCALE 1:1	DESIGN UNITS METRIC	FIRST ANGLE PROJECTION
		mm	INCH																					
	4 PLACES	± .005	± .0004																					
	3 PLACES	± .008	± .0003																					
2 PLACES	± 0.1	± .004																						
1 PLACE	± 0.2	± .008																						
ANGULAR ± .005°																								
DRAWN BY DCARTON	DATE 2010/07/21	TITLE EXTERNAL THREAD S92 SERIES 121209																						
CHECKED BY DMAHER	DATE 2010/07/21	MOLEX INCORPORATED																						
APPROVED BY EFOLAN	DATE 2010/08/09	MATERIAL NO. SEE TABLES	DOCUMENT NO. SD-121209-001	SHEET NO. 4 OF 6																				
DRAFT WHERE APPLICABLE MUST REMAIN WITHIN DIMENSIONS																								
THIS DRAWING CONTAINS INFORMATION THAT IS PROPRIETARY TO MOLEX INCORPORATED AND SHOULD NOT BE USED WITHOUT WRITTEN PERMISSION																								

Part No	MPM Part No	DESCRIPTION	CIRCUIT	VOLTAGE	INDICATOR
1212090166	S92200TA112TSN	TYPE B ISO TRANSPARENT	A1	12v	RED LED
1212090167	S92200TA122TSN	TYPE B ISO TRANSPARENT	A1	24v	RED LED
1212090168	S92200TA132TSN	TYPE B ISO TRANSPARENT	A1	48v	RED LED
1212090169	S92200TA142TSN	TYPE B ISO TRANSPARENT	A1	115v	RED LED
1212090170	S92200TA152TSN	TYPE B ISO TRANSPARENT	A1	230v	RED LED
1212090171	S92200TA1A2TSN	TYPE B ISO TRANSPARENT	A1	12v	GREEN LED
1212090172	S92200TA1B2TSN	TYPE B ISO TRANSPARENT	A1	24v	GREEN LED
1212090173	S92200TA1C2TSN	TYPE B ISO TRANSPARENT	A1	48v	GREEN LED
1212090174	S92200TA1D2TSN	TYPE B ISO TRANSPARENT	A1	115v	GREEN LED
1212090175	S92200TA1E2TSN	TYPE B ISO TRANSPARENT	A1	230v	GREEN LED
1212090176	S92200TA1G2TSN	TYPE B ISO TRANSPARENT	A1	12v	AMBER LED
1212090177	S92200TA1H2TSN	TYPE B ISO TRANSPARENT	A1	24v	AMBER LED
1212090178	S92200TA1K2TSN	TYPE B ISO TRANSPARENT	A1	48v	AMBER LED
1212090179	S92200TA1L2TSN	TYPE B ISO TRANSPARENT	A1	115v	AMBER LED
1212090180	S92200TA1M2TSN	TYPE B ISO TRANSPARENT	A1	230v	AMBER LED

Part No	MPM Part No	DESCRIPTION	CIRCUIT	VOLTAGE	INDICATOR
1212090196	S92200TC412TSN	TYPE B ISO TRANSPARENT	C4	12v	RED LED
1212090197	S92200TC422TSN	TYPE B ISO TRANSPARENT	C4	24v	RED LED
1212090198	S92200TC432TSN	TYPE B ISO TRANSPARENT	C4	48v	RED LED
1212090199	S92200TC442TSN	TYPE B ISO TRANSPARENT	C4	115v	RED LED
1212090200	S92200TC452TSN	TYPE B ISO TRANSPARENT	C4	230v	RED LED
1212090201	S92200TC4A2TSN	TYPE B ISO TRANSPARENT	C4	12v	GREEN LED
1212090202	S92200TC4B2TSN	TYPE B ISO TRANSPARENT	C4	24v	GREEN LED
1212090203	S92200TC4C2TSN	TYPE B ISO TRANSPARENT	C4	48v	GREEN LED
1212090204	S92200TC4D2TSN	TYPE B ISO TRANSPARENT	C4	115v	GREEN LED
1212090205	S92200TC4E2TSN	TYPE B ISO TRANSPARENT	C4	230v	GREEN LED
1212090206	S92200TC4G2TSN	TYPE B ISO TRANSPARENT	C4	12v	AMBER LED
1212090207	S92200TC4H2TSN	TYPE B ISO TRANSPARENT	C4	24v	AMBER LED
1212090208	S92200TC4K2TSN	TYPE B ISO TRANSPARENT	C4	48v	AMBER LED
1212090209	S92200TC4L2TSN	TYPE B ISO TRANSPARENT	C4	115v	AMBER LED
1212090210	S92200TC4M2TSN	TYPE B ISO TRANSPARENT	C4	230v	AMBER LED

Part No	MPM Part No	DESCRIPTION	CIRCUIT	VOLTAGE	INDICATOR
1212090181	S92200TC312TSN	TYPE B ISO TRANSPARENT	C3	12v	RED LED
1212090182	S92200TC322TSN	TYPE B ISO TRANSPARENT	C3	24v	RED LED
1212090183	S92200TC332TSN	TYPE B ISO TRANSPARENT	C3	48v	RED LED
1212090184	S92200TC342TSN	TYPE B ISO TRANSPARENT	C3	115v	RED LED
1212090185	S92200TC352TSN	TYPE B ISO TRANSPARENT	C3	230v	RED LED
1212090186	S92200TC3A2TSN	TYPE B ISO TRANSPARENT	C3	12v	GREEN LED
1212090187	S92200TC3B2TSN	TYPE B ISO TRANSPARENT	C3	24v	GREEN LED
1212090188	S92200TC3C2TSN	TYPE B ISO TRANSPARENT	C3	48v	GREEN LED
1212090189	S92200TC3D2TSN	TYPE B ISO TRANSPARENT	C3	115v	GREEN LED
1212090190	S92200TC3E2TSN	TYPE B ISO TRANSPARENT	C3	230v	GREEN LED
1212090191	S92200TC3G2TSN	TYPE B ISO TRANSPARENT	C3	12v	AMBER LED
1212090192	S92200TC3H2TSN	TYPE B ISO TRANSPARENT	C3	24v	AMBER LED
1212090193	S92200TC3K2TSN	TYPE B ISO TRANSPARENT	C3	48v	AMBER LED
1212090194	S92200TC3L2TSN	TYPE B ISO TRANSPARENT	C3	115v	AMBER LED
1212090195	S92200TC3M2TSN	TYPE B ISO TRANSPARENT	C3	230v	AMBER LED

Part No	MPM Part No	DESCRIPTION	CIRCUIT	VOLTAGE	INDICATOR
1212090211	S92200TD012TSN	TYPE B ISO TRANSPARENT	D0	12v	VDR
1212090212	S92200TD022TSN	TYPE B ISO TRANSPARENT	D0	24v	VDR
1212090213	S92200TD032TSN	TYPE B ISO TRANSPARENT	D0	48v	VDR
1212090214	S92200TD042TSN	TYPE B ISO TRANSPARENT	D0	115v	VDR
1212090215	S92200TD052TSN	TYPE B ISO TRANSPARENT	D0	230v	VDR

Part No	MPM Part No	DESCRIPTION	CIRCUIT	VOLTAGE	INDICATOR
1212090220	S92200NE052TSN	TYPE B ISO BLACK	E0	230v	DIODE

SEE SHEET 1 EC NO: IPG2013-0717 DRW:HSHEA 2012/11/16 CHKD:SMGREVY 2012/11/21 APPR:STGRIFIN 2012/11/29	QUALITY SYMBOLS	GENERAL TOLERANCES (UNLESS SPECIFIED)	DIMENSION STYLE MM ONLY	SCALE 1:1	DESIGN UNITS METRIC	FIRST ANGLE PROJECTION
	▽=0	4 PLACES ± --- ± ---	mm INCH	DRAWN BY DCARTON	DATE 2010/07/21	TITLE EXTERNAL THREAD S92 SERIES 121209
	▽=0	3 PLACES ± --- ± ---		CHECKED BY DMAHER	DATE 2010/07/21	
		2 PLACES ± 0.1 ± ---		APPROVED BY EFOLAN	DATE 2010/08/09	
	1 PLACE ± 0.2 ± ---	ANGULAR ± ---°	MATERIAL NO. SEE TABLES		DOCUMENT NO. SD-121209-001	
		DRAFT WHERE APPLICABLE MUST REMAIN WITHIN DIMENSIONS	SIZE A 2		SHEET NO. 5 OF 6	
THIS DRAWING CONTAINS INFORMATION THAT IS PROPRIETARY TO MOLEX INCORPORATED AND SHOULD NOT BE USED WITHOUT WRITTEN PERMISSION						

Part No	MPM Part No	DESCRIPTION	CIRCUIT	VOLTAGE	INDICATOR
1212090221	S92200TS012TSN	TYPE B ISO TRANSPARENT	S0	12v	RED LED
1212090222	S92200TS022TSN	TYPE B ISO TRANSPARENT	S0	24v	RED LED
1212090223	S92200TS032TSN	TYPE B ISO TRANSPARENT	S0	48v	RED LED
1212090224	S92200TS042TSN	TYPE B ISO TRANSPARENT	S0	115v	RED LED
1212090225	S92200TS052TSN	TYPE B ISO TRANSPARENT	S0	230v	RED LED
1212090226	S92200TS0A2TSN	TYPE B ISO TRANSPARENT	S0	12v	GREEN LED
1212090227	S92200TS0B2TSN	TYPE B ISO TRANSPARENT	S0	24v	GREEN LED
1212090228	S92200TS0C2TSN	TYPE B ISO TRANSPARENT	S0	48v	GREEN LED
1212090229	S92200TS0D2TSN	TYPE B ISO TRANSPARENT	S0	115v	GREEN LED
1212090230	S92200TS0E2TSN	TYPE B ISO TRANSPARENT	S0	230v	GREEN LED
1212090231	S92200TS0G2TSN	TYPE B ISO TRANSPARENT	S0	12v	AMBER LED
1212090232	S92200TS0H2TSN	TYPE B ISO TRANSPARENT	S0	24v	AMBER LED
1212090233	S92200TS0K2TSN	TYPE B ISO TRANSPARENT	S0	48v	AMBER LED
1212090234	S92200TS0L2TSN	TYPE B ISO TRANSPARENT	S0	115v	AMBER LED
1212090235	S92200TS0M2TSN	TYPE B ISO TRANSPARENT	S0	230v	AMBER LED

Part No	MPM Part No	DESCRIPTION	CIRCUIT	VOLTAGE	INDICATOR
1212090236	S92200NS112TSN	TYPE B ISO BLACK	S1	12v	NO LED
1212090237	S92200NS122TSN	TYPE B ISO BLACK	S1	24v	NO LED
1212090238	S92200NS132TSN	TYPE B ISO BLACK	S1	48v	NO LED
1212090239	S92200NS142TSN	TYPE B ISO BLACK	S1	115v	NO LED
1212090240	S92200NS152TSN	TYPE B ISO BLACK	S1	230v	NO LED

SEE SHEET 1 EC NO: IPG2013-0717 DRWNG:JSHEA 2012/11/16 CHKD:SMGREVY 2012/11/21 APPR:STGRJFIN 2012/11/29	QUALITY SYMBOLS	GENERAL TOLERANCES (UNLESS SPECIFIED)	DIMENSION STYLE	SCALE	DESIGN UNITS	FIRST ANGLE PROJECTION															
	= 0 = 0	<table border="1"> <tr><th colspan="2">mm</th><th>INCH</th></tr> <tr><td>4 PLACES</td><td>± .005</td><td>± .0002</td></tr> <tr><td>3 PLACES</td><td>± .010</td><td>± .0004</td></tr> <tr><td>2 PLACES</td><td>± 0.1</td><td>± .004</td></tr> <tr><td>1 PLACE</td><td>± 0.2</td><td>± .008</td></tr> </table>	mm		INCH	4 PLACES	± .005	± .0002	3 PLACES	± .010	± .0004	2 PLACES	± 0.1	± .004	1 PLACE	± 0.2	± .008	MM ONLY DRAWN BY: DCARTON DATE: 2010/07/21 CHECKED BY: DMAHER DATE: 2010/07/21 APPROVED BY: EFOLAN DATE: 2010/08/09	1:1	METRIC	
	mm		INCH																		
	4 PLACES	± .005	± .0002																		
3 PLACES	± .010	± .0004																			
2 PLACES	± 0.1	± .004																			
1 PLACE	± 0.2	± .008																			
DRAFT WHERE APPLICABLE MUST REMAIN WITHIN DIMENSIONS	MATERIAL NO. SEE TABLES SIZE: A 2	TITLE: EXTERNAL THREAD S92 SERIES 121209 MOLEX INCORPORATED DOCUMENT NO. SD-121209-001			SHEET NO. 6 OF 6																
THIS DRAWING CONTAINS INFORMATION THAT IS PROPRIETARY TO MOLEX INCORPORATED AND SHOULD NOT BE USED WITHOUT WRITTEN PERMISSION																					