



PRODUCT NUMBER
20020627-XXXXXXLF

20020627-□ □ □ □ A 0 □ L F

PITCH

U : 10.16 mm

POLES

02 : 2 POLES
03 : 3 POLES
04 : 4 POLES

08 : 08 POLES

LF : DENOTED RoHS COMPATIBLE

1 : STANDARD PRODUCT
W/ BOX PACKING

HOUSING CODE

CODE	COLOR	AVAILABILITY
1	GREEN(RAL 6018/T)	STANDARD
2	BLACK	ON REQUEST ONLY
3	GREY(RAL 7004/P)	ON REQUEST ONLY
4	BLUE(RAL 5015/A)	ON REQUEST ONLY

PROPERTY TABLE	
FCI SERIES NAME	29-1016
PITCH (mm)	10.16
VOLTAGE RATING (VAC)	300
CURRENT RATING (A)	55
WITHSTANDING VOLTAGE (kV)	1.6
OPERATING TEMP. (°C)	-40~+115
SOLDERING TEMP. (°C)	250±10 (5 sec.)
POLES AVAILABLE	02~08
SAFETY CERTIFICATE	

NOTES:

1. MATERIALS

1-1 HOUSING: THERMALPLASTIC RESIN, UL 94V-0 RATED.

1-2 TERMINAL: COPPER ALLOY, GOLD PLATED.

2. PRODUCTION SPECIFICATION REFER TO FCI GS-12-625.

3. BOXED PACKAGING.

DETAILED PRODUCT PACKING SPECIFICATION REFER TO FCI GS-14-1394.

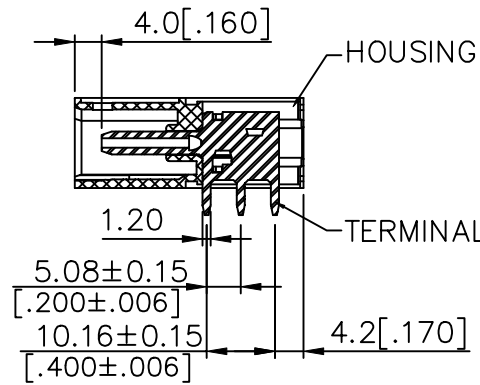
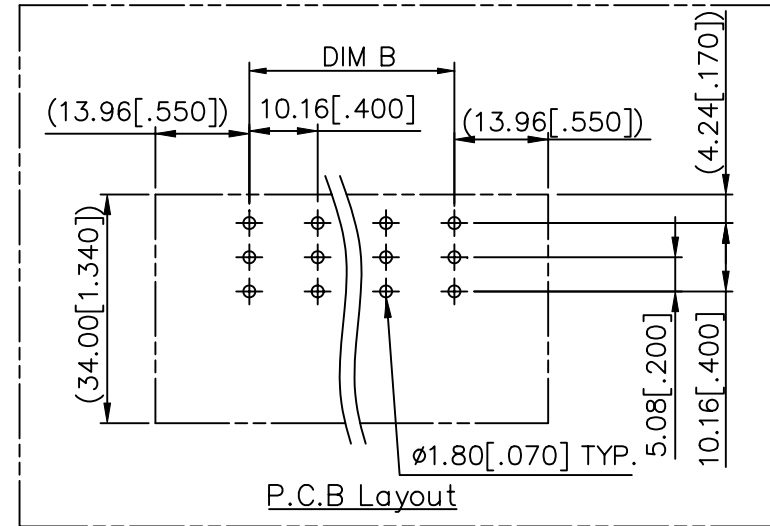
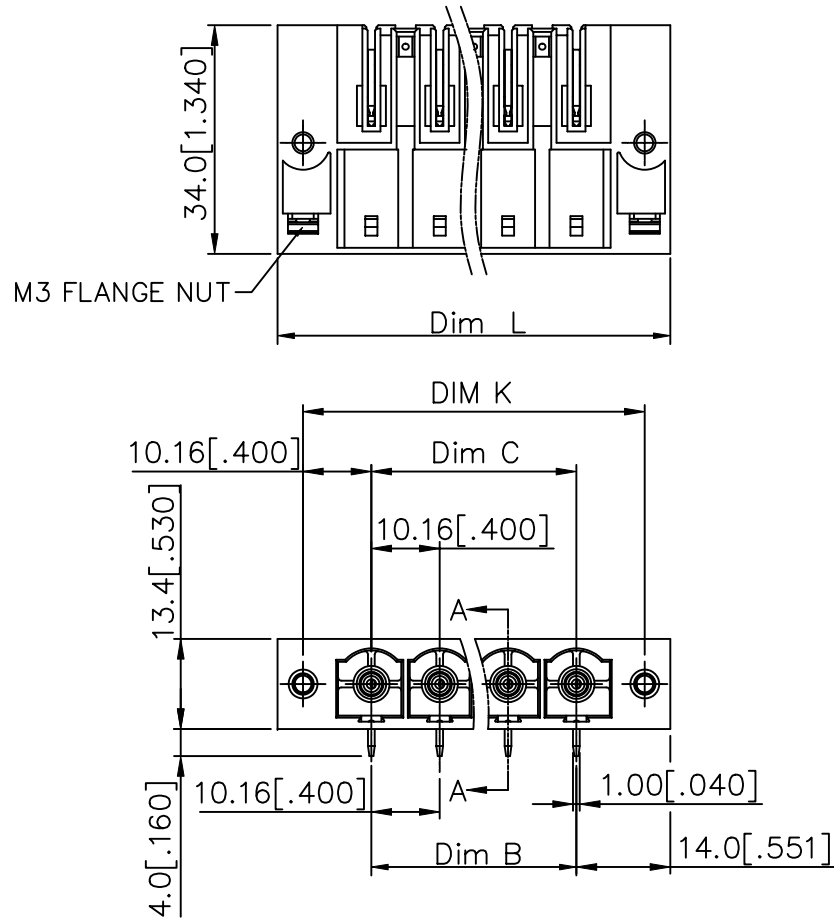
4. FCI, SAFETY CERTIFICATE LOGO AND SERIES NAME TO BE SHOWN ON PRODUCT SURFACE.

5. THE PRODUCTS WHERE THE PART NUMBER END IN "LF" MEET THE EUROPEAN UNION DIRECTIVE AND OTHER COUNTRY REGULATIONS AS DESCRIBED IN GS-22-008.

6. RECOMENDED SOLDERING PROCESS BY WAVE SOLDER.

mat'l. code				surface ASME Y14.5 ✓		tolerance ASME Y14.5		projection		product family	
tolerances unless otherwise specified				X.±0.5		X.X±0.3		MM		TERMINAL BLOCK	
angles				X°±1'		X.XX±0.1		[INCH]		title	
dr				WENDY CHEN		093010		scale		TERMINAL BLOCK	
enrg				JASON HSU		093010		FCI		PLUGGABLE SOCKET, POWER, W/FLANGE	
chr				JASON HSU		093010		RA-DOWN		sheet 1 of 2	
appd				JASON HSU		093010		type		CUSTOMER Drawing	
sheet index		revision sheet		C 1		C 2		20020627		A4	

PRODUCT NUMBER	SERIES NAME	PITCH
20020627-UXXXXXLF	29-1016	10.16 mm



DIMENSION:

Dim L	$N * 10.16 [.400] + 17.76 [.699]$
Dim B	$(N - 1) * 10.16 [.400]$
Dim C	$(N - 1) * 10.16 [.400]$
Dim K	$(N + 1) * 10.16 [.400]$

N=Number of contacts

Poles	Tolerance
2p-3p	$\pm 0.15 [.006]$
4p-6p	$\pm 0.25 [.010]$
7p-8p	$\pm 0.35 [.014]$

SECTION A-A

mat'l. code	surface ASME Y14.5	tolerance ASME Y14.5	projection 	product family TERMINAL BLOCK
ltr	ecn no	dr	date	title
c				TERMINAL BLOCK PLUGGABLE SOCKET, POWER, W/FLANGE RA-DOWN
	angles	tolerance	MM [INCH]	scale
	X°±1'	X.X±0.1		
	dr	WENDY CHEN	093010	sheet 2 of 2 size
	enr	JASON HSU	093010	
	chr	JASON HSU	093010	
	appd	JASON HSU	093010	
sheet index	revision sheet			type CUSTOMER Drawing

