



HARTMAN Smart Current Sensor

Pin Configurable, Multifunctional Sensor That Combines 5 Products into a Single Lightweight Ruggedized Package

HARTMAN Smart Current Sensor

Pin Configurable, Multifunctional Sensor That Combines 5 Products into a Single Lightweight Ruggedized Package



PROGRAMMABLE

- Up to 5 different combinations in a single 10-pin configurable package

COST EFFECTIVE

- One multipurpose sensor helps eliminate the need for additional protection devices
- Wider application range allows customers to buy in volume for greater purchasing power

VERSATILE

- Hard mounted to a contactor or stand-alone configurations are available

ENHANCED SAFETY AND PERFORMANCE

- Built-in overload detection status
- Overcurrent protection on coil current
- Same trip curve characteristics as thermal breaker
- On/Off thermal breaker capability

RELIABLE

- Meets DO-160G

Description

TE Connectivity's (TE) HARTMAN smart current sensor allows the user to maintain its trip curve throughout the temperature range while giving both current status and trip status of the system. If desired the user also has the ability to disable the trip curve.

This sensor offers the following trip curve features:

- 200 AMP thermal breaker trip times
- 300 AMP thermal breaker trip times
- 400 AMP thermal breaker trip times
- Reverse load detection/trip
- Turn off thermal breaker

APPLICATIONS/MARKETS SERVED

Applications

- Power Distribution
- Load Shedding
- Reverse Current Protection
- Circuit Protection

Markets

- Commercial Jets
- Business Jets
- Ground Vehicles
- Helicopters

MECHANICAL SPECIFICATIONS

- **Analog Output:** 0.5 VDC to 4.5 VDC
- **Sensed Load:** -20 Amps to 600 Amps
- **Pin Configured:** 200 A Trip, 300 A Trip, 400 A Trip, Reverse Current Trip

MATERIALS SPECIFICATIONS

- **Supply Voltage:** 16 to 32 VDC
- **Operating Temperature:** -40°C to +85°C
- **Connector:** D Sub 15 pin
- **Weight:** 200 Grams (max)

ENVIRONMENTAL SPECIFICATIONS

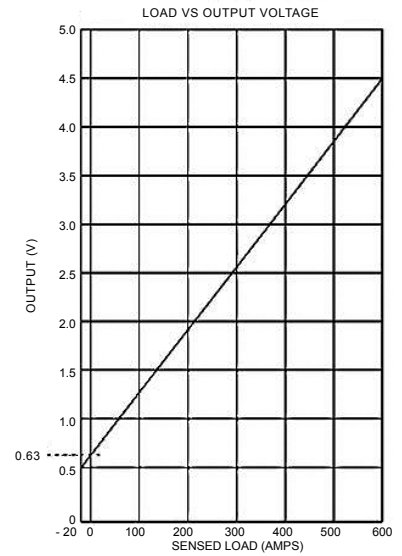
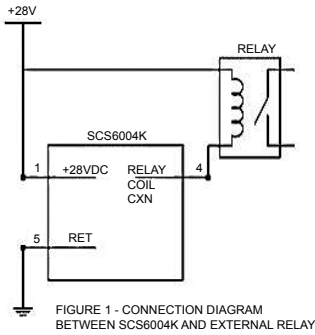
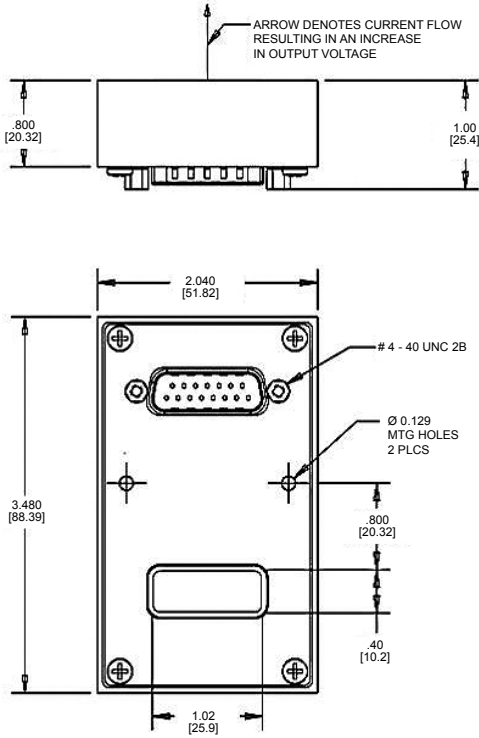
- Meets DO-160 EMI specifications for shock, vibration, temperature, and altitude
- Meets DO-160 specifications for power input, voltage spikes, AF conducted susceptibility, induced signal susceptibility, RF

STANDARDS AND SPECIFICATIONS

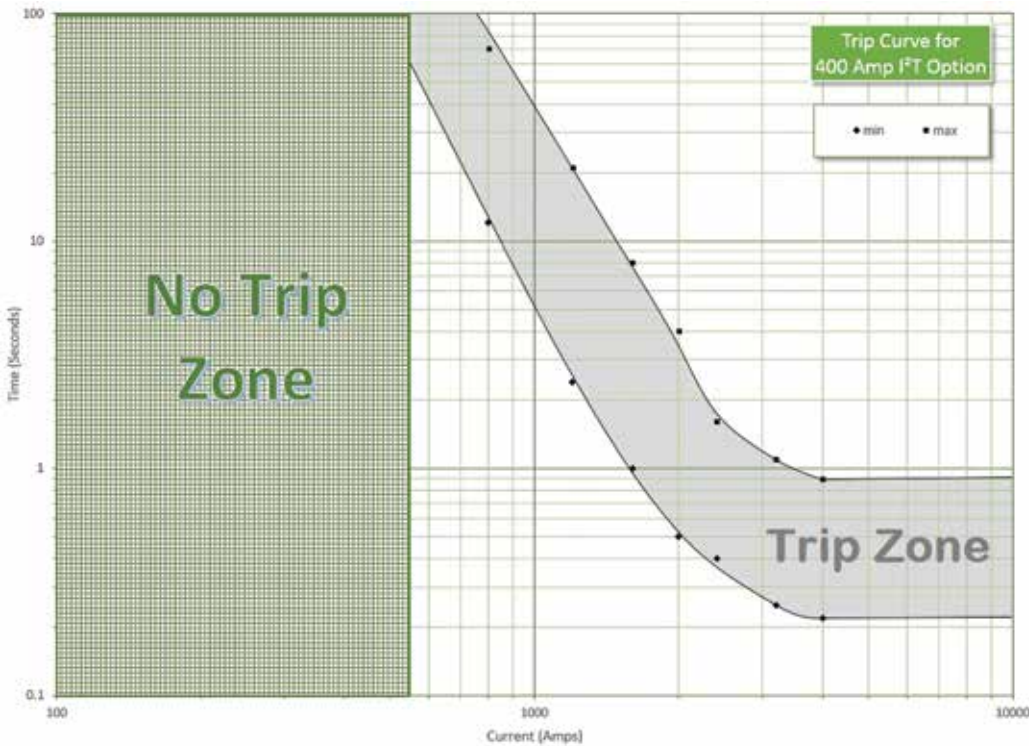
- Meets DO-160

TE Components . . . TE Technology . . . TE Know-how . . .
AMP | AGASTAT | CII | HARTMAN | KILOVAC | MICRODOT | NANONICS | POLAMCO | Raychem
SEACON | Rochester | DEUTSCH

Empower Engineers to Solve Problems, Moving the World Forward.



Trip Curve



Part Number	Description	GPL	Product Code	Samples? Y/N/P	Application Tooling Y/N + PN
7-2252003-6	Smart Current Sensor	F39	H528	Y	N

LET'S CONNECT

We make it easy to connect with our experts and are ready to provide all the support you need. Just call your local support number or visit te.com to chat with a Product Information Specialist.

Technical Support

te.com/support-center

North America	+1 800 522 6752	Asia Pacific	+86 400 820 6015
North America (Toll)	+1 717 986 7777	Japan	+81 044 844 8180
EMEA/South Africa	+800 0440 5100	Australia	+61 2 9554 2695
EMEA (Toll)	+31 73 624 6999	New Zealand	+64 (0) 9 634 4580
India (Toll-Free)	+800 440 5100		

te.com/smart-current-sensor

AMP, AGASTAT, CII, DEUTSCH, HARTMAN, KILOVAC, MICRODOT, NANONICS, POLAMCO, Raychem, SEACON, TE, TE Connectivity and the TE connectivity (logo) are trademarks owned or licensed by TE Connectivity. Other products, logos, and company names mentioned herein may be trademarks of their respective owners.

While TE Connectivity (TE) has made every reasonable effort to ensure the accuracy of the information herein, nothing herein constitutes any guarantee that such information is error-free, or any other representation, warranty or guarantee that the information is accurate, correct, reliable or current. The TE entity issuing this publication reserves the right to make any adjustments to the information contained herein at any time without notice. All implied warranties regarding the information contained herein, including, but not limited to, any implied warranties of merchantability or fitness for a particular purpose are expressly disclaimed. The dimensions herein are for reference purposes only and are subject to change without notice. Specifications are subject to change without notice.

Consult TE for the latest dimensions and design specifications.

© 2019 TE Connectivity All Rights Reserved.

2356742-1 05/19