

NOTES:

1.0 MATERIALS:

- 1.1 HOUSING: STAINLESS STEEL PER ASTM-A582, TYPE 303.
- 1.2 CENTER CONTACT: BERYLLIUM COPPER ROD ALLOY C172, PER ASTM-B196.
- 1.3 DIELECTRIC: PTFE FLUOROCARBON PER ASTM-D1457.

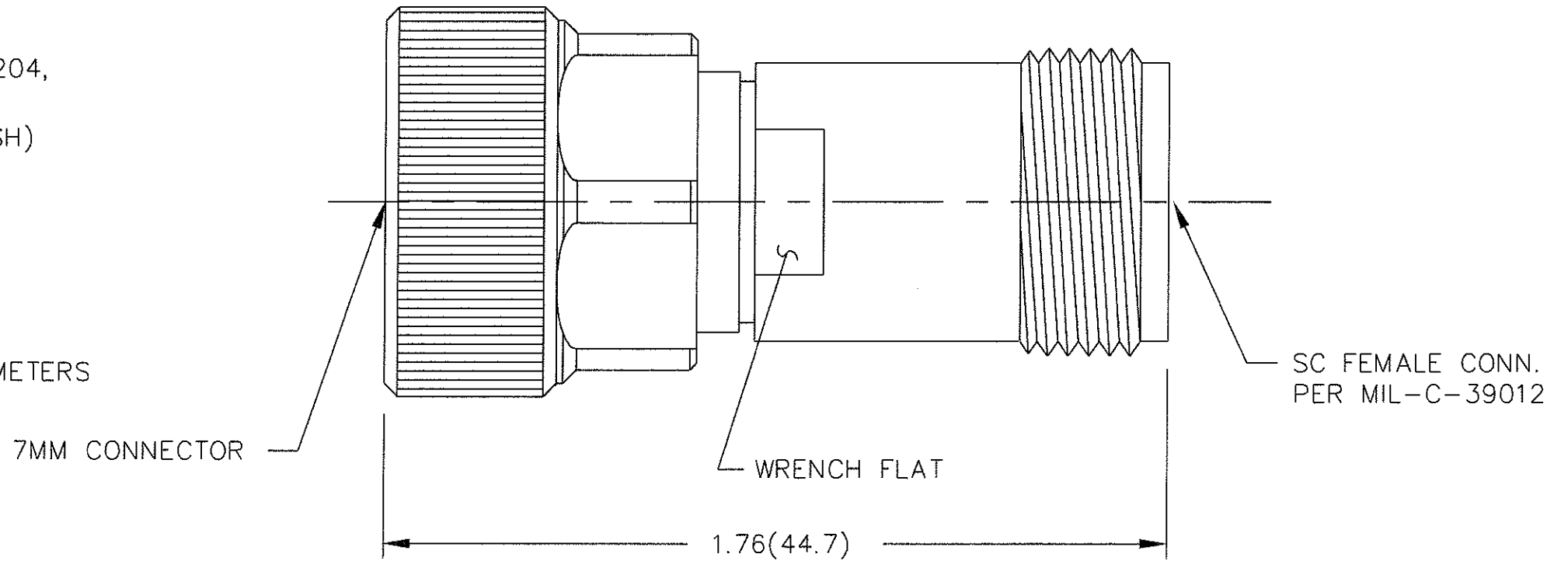
2.0 PLATING:

- 2.1 HOUSING: PASSIVATED PER MIL-F-14072 AND QQ-P-35
- 2.2 CENTER CONTACT: GOLD PER MIL-G-45204, TYPE II, CLASS 2.
- 2.3 7MM NUT: ELECTROPOLISH (BRIGHT POLISH)

3.0 ELECTRICAL SPECIFICATION:

- 3.1 FREQUENCY RANGE: DC to 11.0 GHz
- 3.2 VSWR (MAXIMUM): 1.015+.005f(GHz)
- 3.3 IMPEDANCE: 50 OHMS

4.0 DIMENSIONS IN PARENTHESIS ARE IN MILLIMETERS



DWG NO. WAS: 02699-01-00

REV.	DESCRIPTION	DATE
-	RELEASED	1/26/79
A	ECR 6545	6/30/89
B	ON CAD (ADD SPECS)	1/20/94
B1	ADDED TITLEBLOCK	3/9/05

UNLESS OTHERWISE NOTED DIMENSIONS ARE IN INCHES AND TOLERANCES ARE: 3 PLACE DECIMALS ±.005 2 PLACE DECIMALS ±.02 FRACTIONS ±1/64 PARALLELITY: T.I.R. _____ FLATNESS: T.I.R. _____ CONCENTRICITY: T.I.R. _____ ANGLES AND PERPENDICULARITY: ±1'	FSCM NO. 34078	MIDWEST MICROWAVE		
	NOTICE: The information contained in this drawing is proprietary and must not be used without the permission of Midwest Microwave		TITLE ADAPTER - 7MM to SC JACK	
	DRAWN/DATE A.BEATTY 1/20/94	ENG./DATE A.OSGA 1/21/94	DRAWING NUMBER ADT-2592-7M-SCF-02	
	CHECKED/DATE M.HOLLMAN 1/21/94	APPROVED/DATE	SCALE: 3=1	SHEET 1 of 1

MODEL NUMBER
ADT-2592-7M-SCF-02
REV.
B1