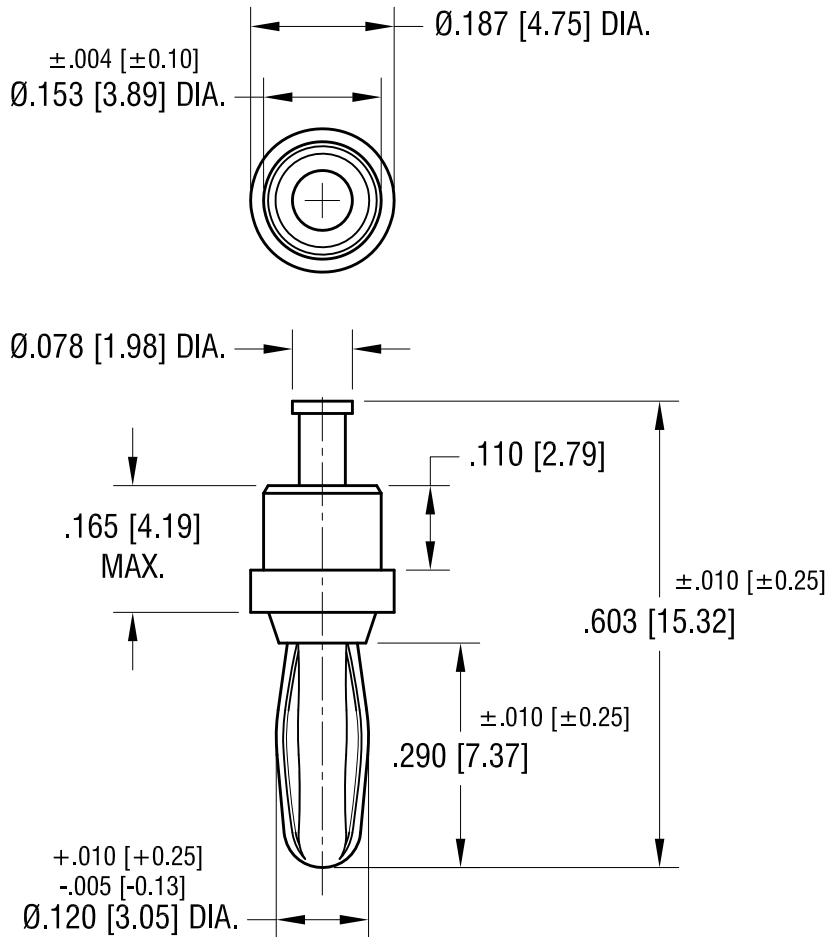


THIS DOCUMENT IS THE PROPERTY OF
KEYSTONE ELECTRONICS CORP. AND
SHALL NOT BE REPRODUCED, DISTRIBUTED
OR USED AS A BASIS FOR MANUFACTURE
WITHOUT PRIOR WRITTEN PERMISSION
FROM KEYSTONE ELECTRONICS CORP.

ACTUAL SIZE



NOTES:

1. SPRING: MAT'L - BERYLLIUM COPPER
BODY: MAT'L - BRASS

11.27.17	CHANGE AS PER ECN 17-071	F
10.6.08	CHANGE AS PER ECR 08-168	E
4.08.98	CHANGE AS PER ECN 98-025	D
DATE	DESCRIPTION	REV.

KEYSTONE ELECTRONICS CORP.			
www.keyelco.com • NEW HYDE PARK, NY 11040 • Tel (516) 328-7500			
PART NAME			
MINIATURE RIVET BANANA PLUG			
MATERIAL			
AS NOTED			
FINISH		DRN BY	DATE
SILVER PLATER		BOONE	2.16.82
		APP'D	SCALE
		LN	4X
TOLERANCES	INCH [MM]	CODE	DWG NO.
DECIMAL	$\pm .005$ [± 0.13]	C	452
ANGULAR	$\pm 1^\circ$		
UNLESS OTHERWISE SPECIFIED			