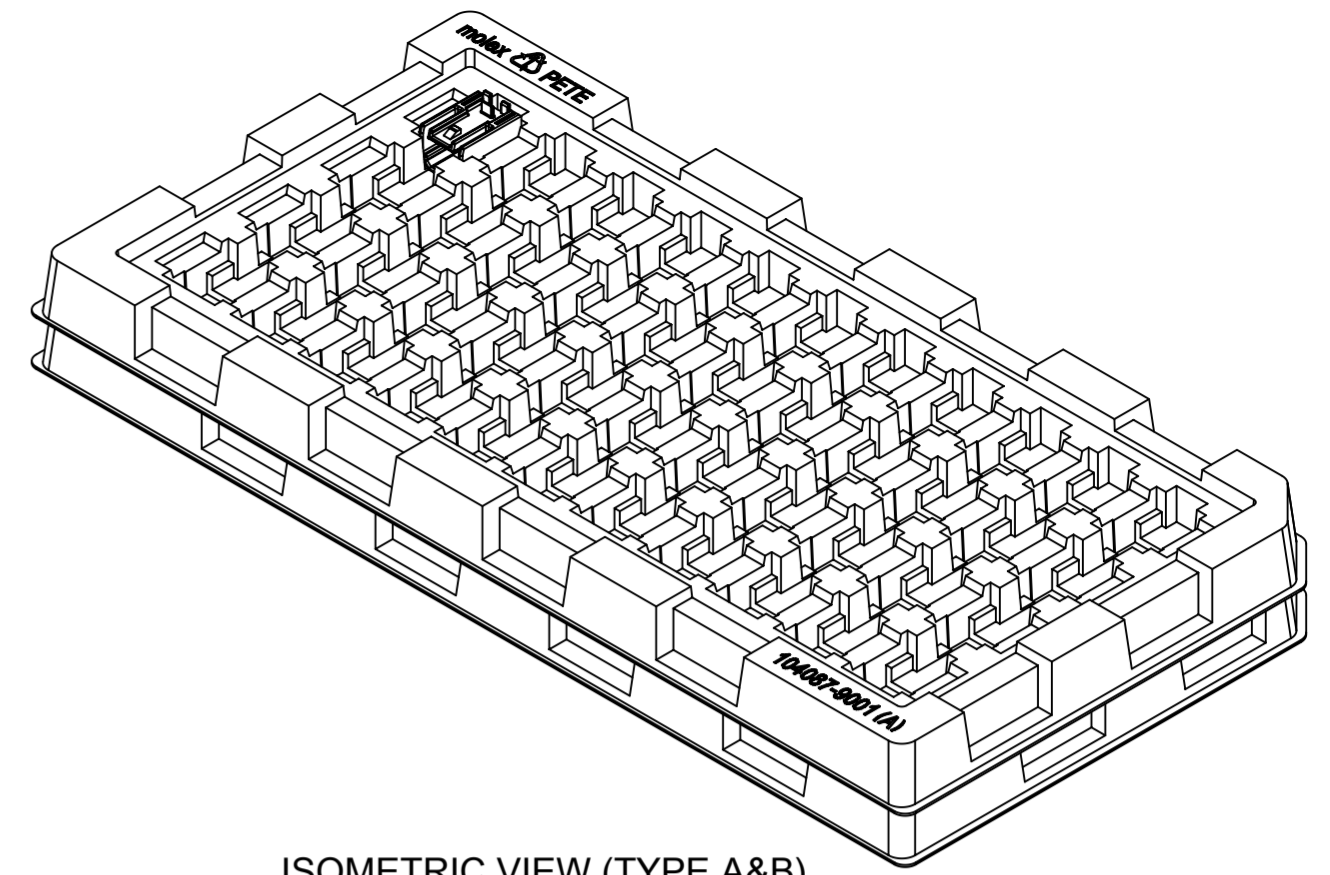
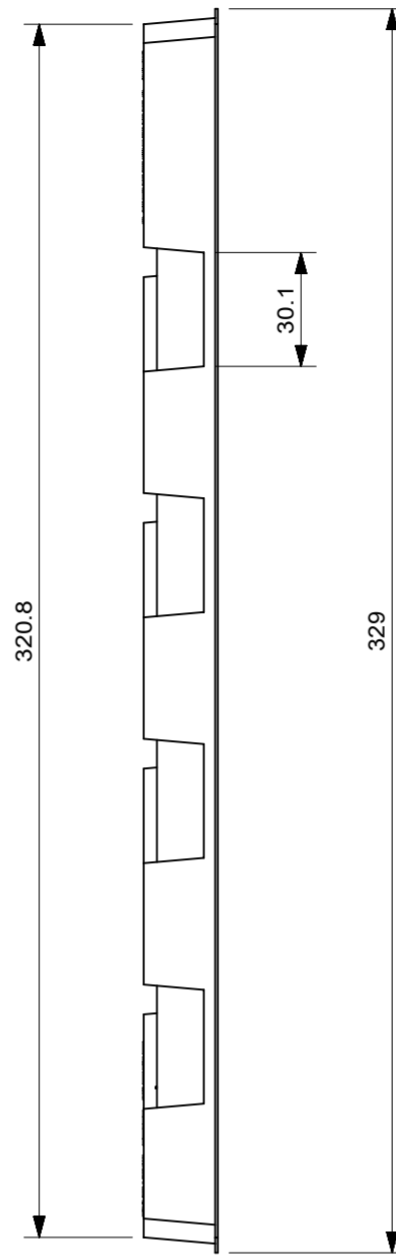
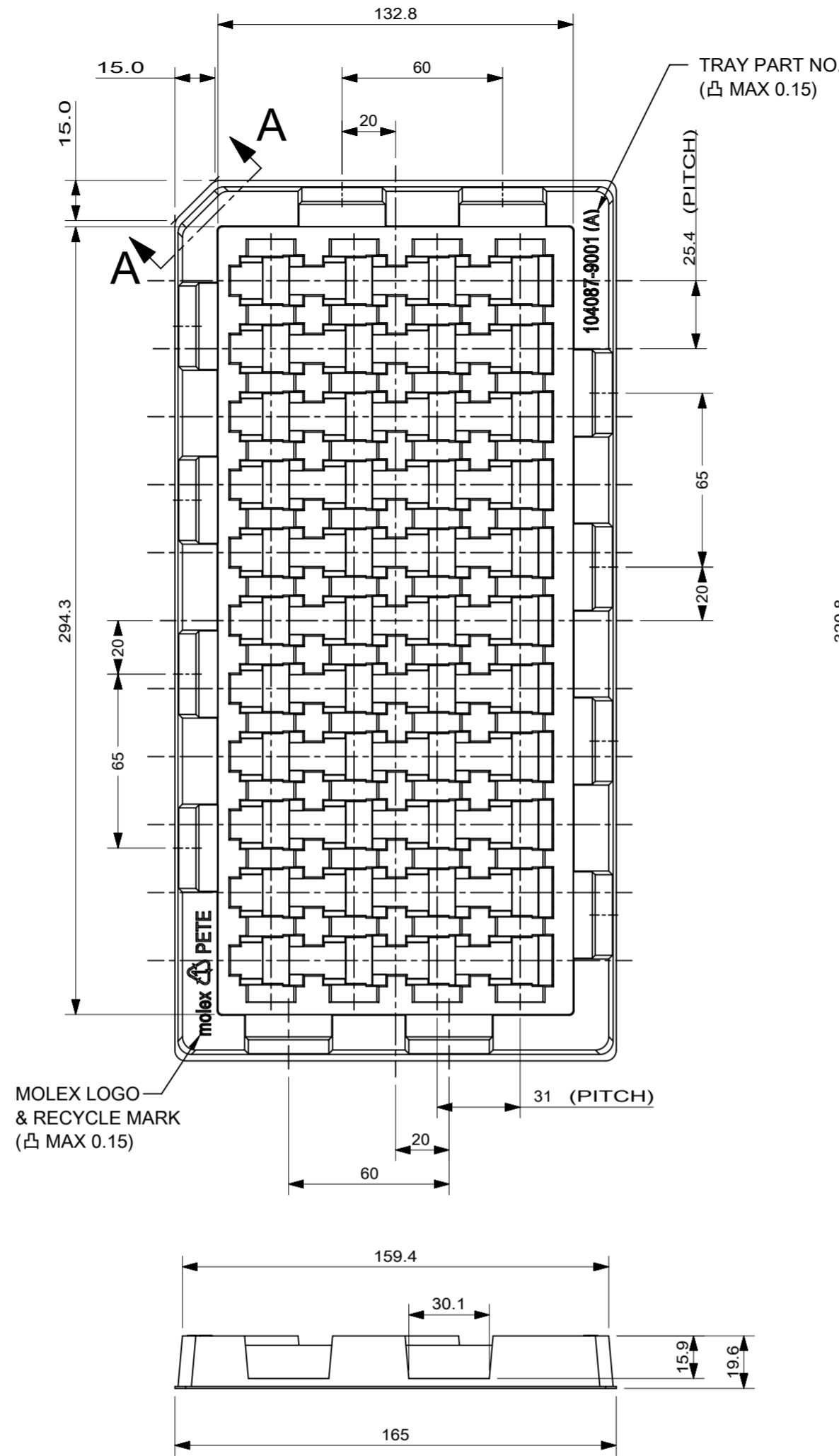
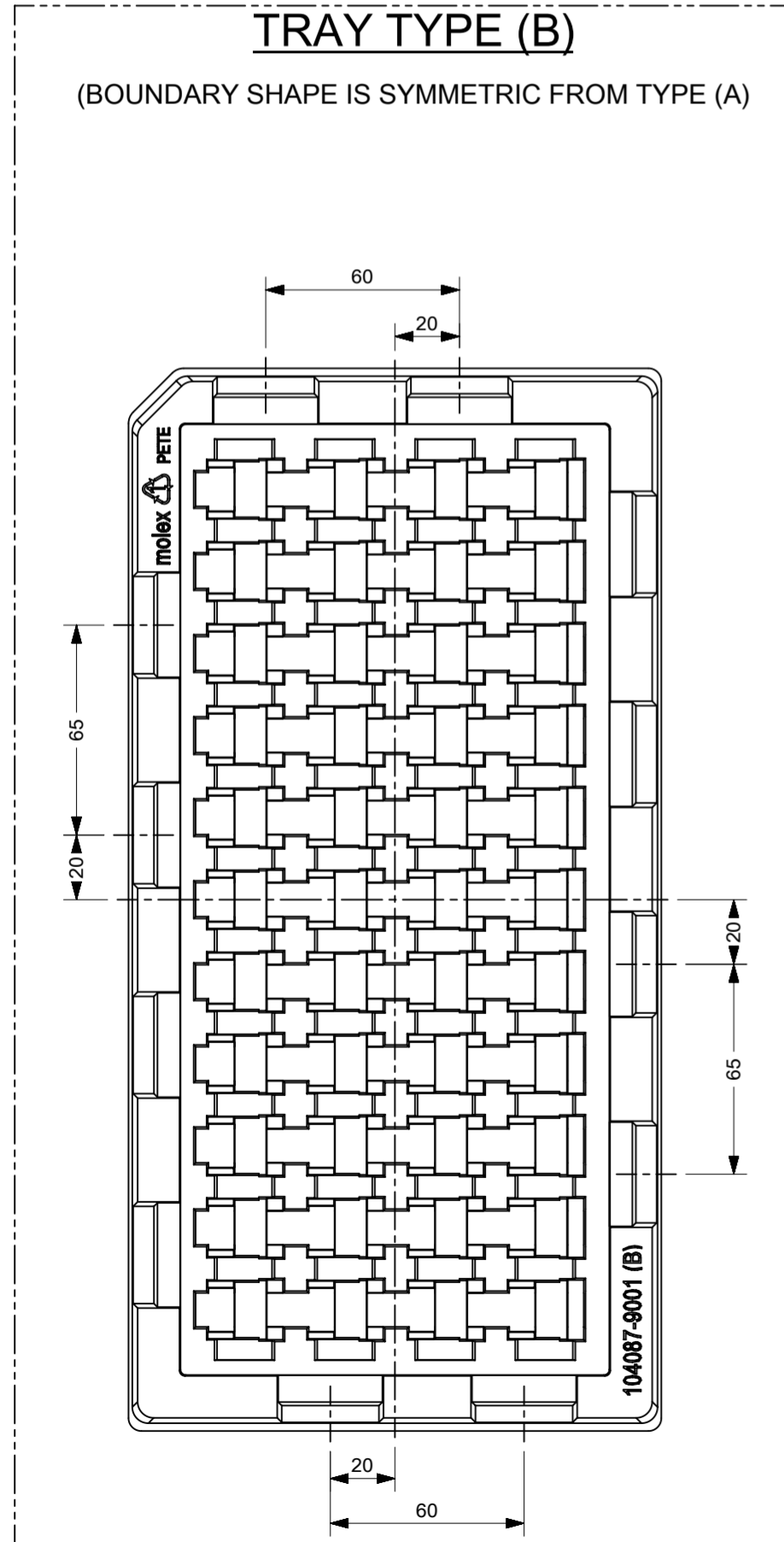


SECTION A-A
SCALE 1:1



SYMBOLS	THIS DRAWING CONTAINS INFORMATION THAT IS PROPRIETARY TO MOLEX ELECTRONIC TECHNOLOGIES, LLC AND SHOULD NOT BE USED WITHOUT WRITTEN PERMISSION		
	DIMENSION UNITS	SCALE	CURRENT REV DESC:
▽ = 0	mm	1:2	EC NO: 609398 DRWN: SPARK04 2018/12/20 CHK'D: JHJANG 2019/01/08 APPR: JHJANG 2019/01/08 INITIAL REVISION: DRWN: BCYOON 2011/02/01 APPR: YUNSIKKIM 2011/02/14
▽ = 0	GENERAL TOLERANCES (UNLESS SPECIFIED)		
▽ = 0	ANGULAR TOL ± 1.0°		
▽ = 0	4 PLACES ±		
▽ = 0	3 PLACES ±		PRODUCT CUSTOMER DRAWING DOCUMENT NUMBER: SD-104087-001 DOC TYPE: PSD DOC PART: 001 REVISION: A2
▽ = 0	2 PLACES ± 0.3		
▽ = 0	1 PLACE ± 0.5		MATERIAL NUMBER: 1040879001 CUSTOMER: GENERAL MARKET SHEET NUMBER: 1 OF 1
▽ = 0	0 PLACES ±		
▽ = 0	DRAFT WHERE APPLICABLE MUST REMAIN WITHIN DIMENSIONS	THIRD ANGLE PROJECTION	DRAWING: A2-SIZE
▽ = 0		SERIES: 104087	

molex

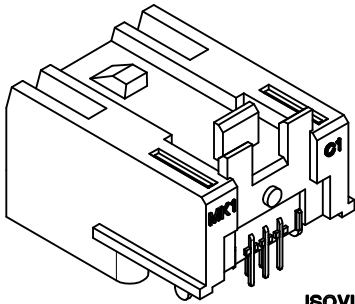
HSAUTOLINK R/A HEADER
TRAY FOR HMI MODULE

PRODUCT CUSTOMER DRAWING

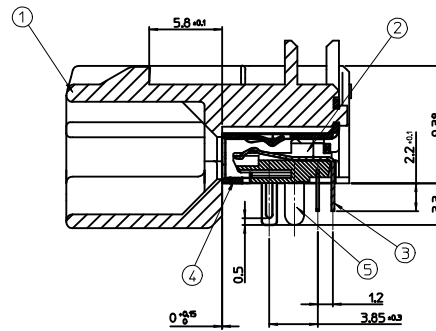
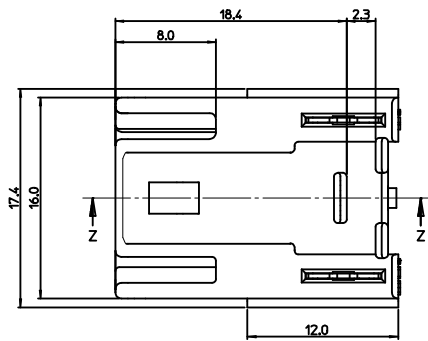
SD-104087-001

PSD 001 A2

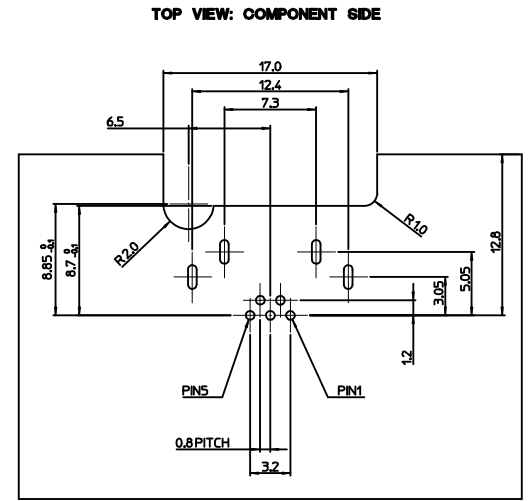
MATERIAL NUMBER: 1040879001
CUSTOMER: GENERAL MARKET
SHEET NUMBER: 1 OF 1



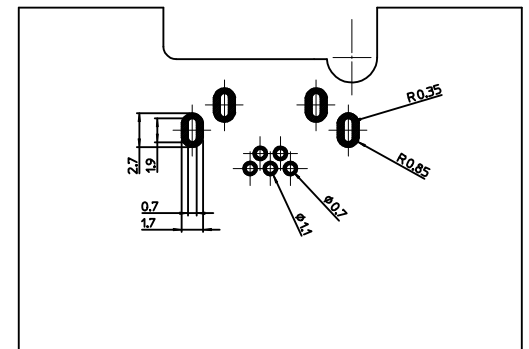
ISOVIEW



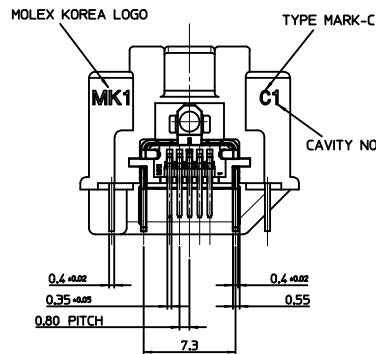
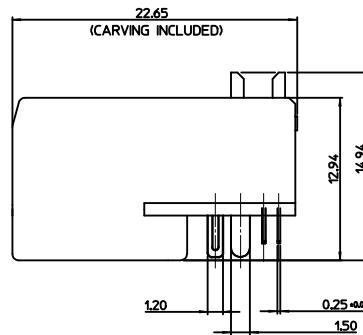
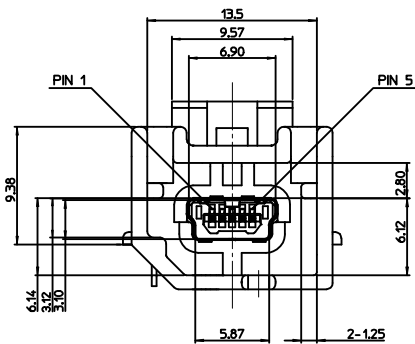
SECTION Z-Z



BOTTOM VIEW: SOLDER SIDE



RECOMMENDED PCB LAYOUT



NOTES

- MATES WITH :
(MOLEX SERIES NO. : 111014, 111015, 111005, 111041, 111019, 111020)
- SHROUD GEOMETRY AND ASSEMBLY WITH USB MINI-B CONNECTOR ARE ACCORDING TO USCAR STD 999-U-USB-Z01
- FINISHES
- TERMINAL :
CONTACT AREA : GOLD 0.754μm MIN.
SOLDER TAIL AREA : TIN 3.84μm MIN.
UNDER PLATING : NI 1.254μm MIN.
- SHIELD CASE :
3.04μm MIN. TIN OVER NI 1.04μm MIN.
- FITTING NAIL :
3.04μm MIN. TIN OVER NI 1.04μm MIN.
- UNLESS OTHERWISE SPECIFIED, TYPICAL RECOMMENDED PCB MANUFACTURING TOLERANCE IS ±0.05
- PCB THICKNESS : 1.6mm(REFERENCE)
- APPLY TO WITHOUT SIDEWING TYPE

<PART LIST>

NO.	PART NAME	MATERIALS
①	SHROUD	SPS, GLASS FILLED, UL94 HB
②	REC. HOUSING	LCP, GLASS FILLED, UL94 V-0
③	TERMINAL	COPPER ALLOY
④	SHIELD CASE	PHOSPHOR BRONZE
⑤	FITTING NAIL	BRASS

<TABLE 1>

MATERIAL NO.	ORDER NO.	PACKAGING	COLOR
1040870117	104087-0117	TRAY	BROWN
1040870317	104087-0317	REEL & TAPE	BROWN

NEW RELEASE REC NO: K1R2015-0001 DRW: YIBAEK 2014/08/12 CHKD: JYCHOI APPR: JYCHOI A1	DESCRIPTION 2014/08/21	QUALITY SYMBOLS ▽=0 ▽=0	GENERAL TOLERANCES (UNLESS SPECIFIED) mm INCH 4 PLACES ± --- ± --- 3 PLACES ± --- ± --- 2 PLACES ± 0.15 ± --- 1 PLACE ± 0.25 ± --- ANGULAR ± 1°	DIMENSION STYLE MM ONLY	SCALE DESIGN UNITS METRIC	THIRD ANGLE PROJECTION
		DRAWN BY YIBAEK	DATE 2014/05/07	TITLE HSAUTOLINK R/A HEADER TYPE-C FOR HMI MODULE (SOLDER TAIL=2.2MM)	MOLEX INCORPORATED	SHEET NO. 1 OF 1
		CHECKED BY BCYOON	DATE 2014/05/07	APPROVED BY JYCHOI	DATE 2014/05/07	DOCUMENT NO. SD-104087-014
		DRAFT WHERE APPLICABLE MUST REMAIN WITHIN DIMENSIONS		SEE TABLE 1	THIS DRAWING CONTAINS INFORMATION THAT IS PROPRIETARY TO MOLEX INCORPORATED AND SHOULD NOT BE USED WITHOUT WRITTEN PERMISSION	