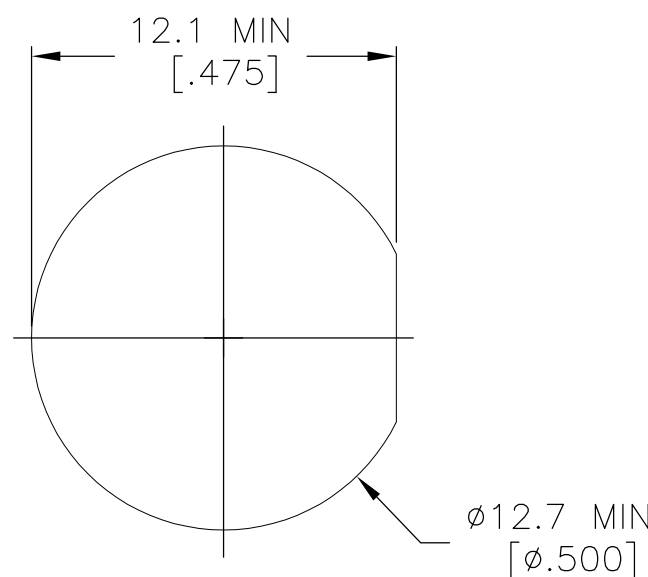
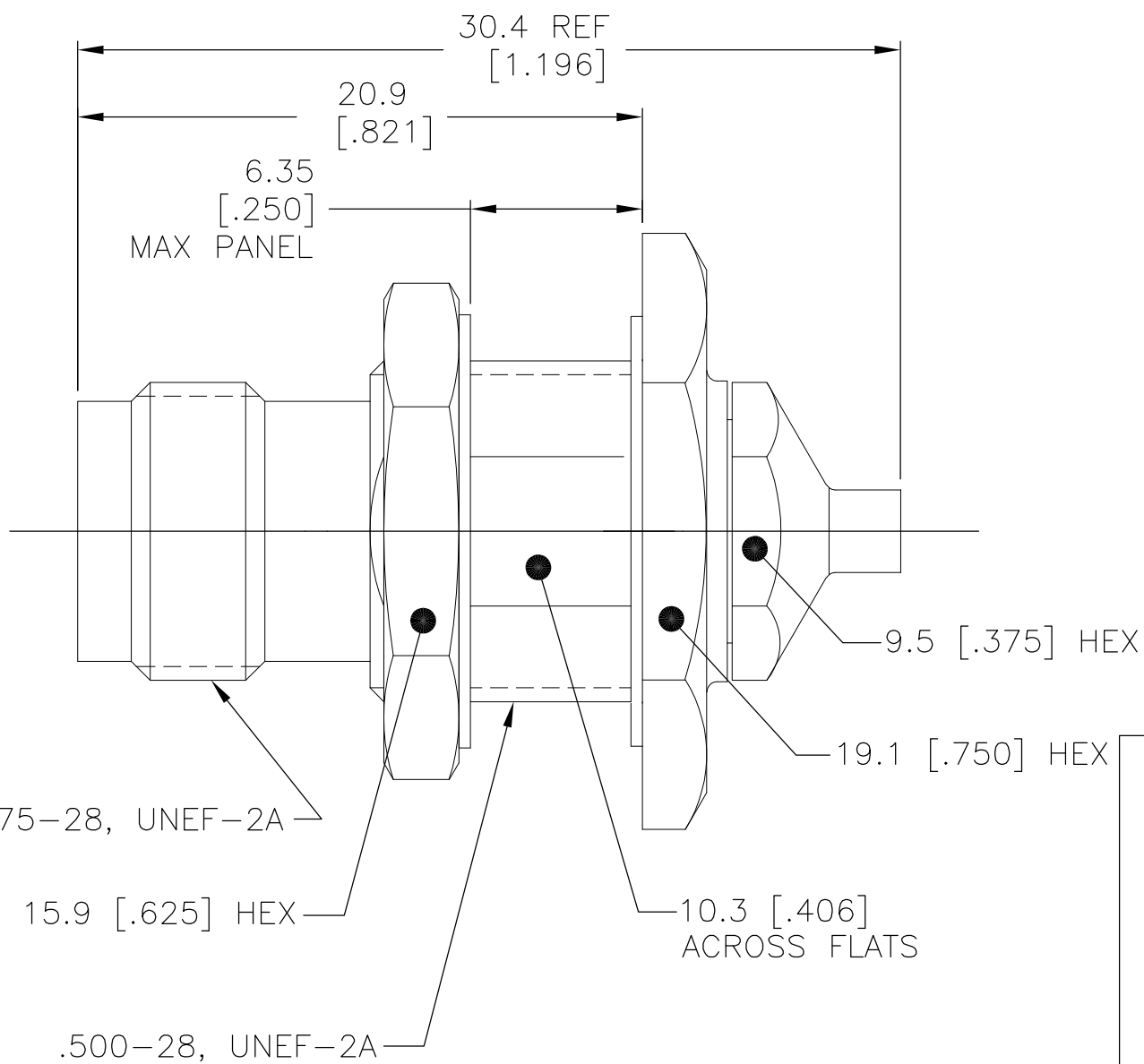


THIS DRAWING IS UNPUBLISHED. RELEASED FOR PUBLICATION  
 © COPYRIGHT BY TYCO ELECTRONICS CORPORATION. ALL RIGHTS RESERVED.

LOC	DIST	REVISIONS					
		P	LTR	DESCRIPTION	DATE	DWN	APVD
—	—		A1	REVISED PER ECO-10-006951	02APR10	HMR	WK



RECOMMENDED MOUNTING HOLE

.4375-28, UNEF-2A  
 15.9 [.625] HEX  
 .500-28, UNEF-2A

COMPONENT	MATERIAL	FINISH
REAR HOUSING MOUNTING NUT LOCKWASHER	STAINLESS STEEL PER ASTM-A484 AND ASTM-A582	PASSIVATE PER QQ-P-35
FRONT HOUSING	BRASS PER ASTM-B-16	GOLD PLATE PER ASTM-B488
DIELECTRIC	TFE FLUOROCARBON PER ASTM-D-1710	N/A
CENTER CONTACT	BERYLLIUM COPPER PER ASTM-B-196 OR ASTM-B-197	GOLD PLATE PER ASTM-B488  N/A
GASKET	SILICONE RUBBER PER ZZ-R-765	

1. SEE INSTRUCTION SHEET 408-8205.

DESIGNED FOR USE WITH .141" S.R.	
CABLE ENTRY DIAMETER MINIMUM	
HOUSING	3.61 [.142]
CONTACT	1.07 [.042]

THIS DRAWING IS A CONTROLLED DOCUMENT.		DWN R.M.K.	3/5/70	Tyco Electronics Corporation Harrisburg, PA 17105-3608	
DIMENSIONS: mm [INCHES]		CHK B.W.C.	6/29/70		
TOLERANCES UNLESS OTHERWISE SPECIFIED:		APVD T.A.R.	6/29/70	NAME TNC STRAIGHT BULKHEAD CABLE JACK DIRECT SOLDER VERSION	
0 PLC ± - 1 PLC ± 0.13 [.005] 2 PLC ± - 3 PLC ± - 4 PLC ± - ANGLES ± 1° FINISH -		PRODUCT SPEC -	APPLICATION SPEC -	SIZE A3	CAGE CODE 00779
MATERIAL -		WEIGHT -	CUSTOMER DRAWING	DRAWING NO G-1057676	RESTRICTED TO -
				SCALE 4:1	SHEET 1 OF 1
				REV A1	