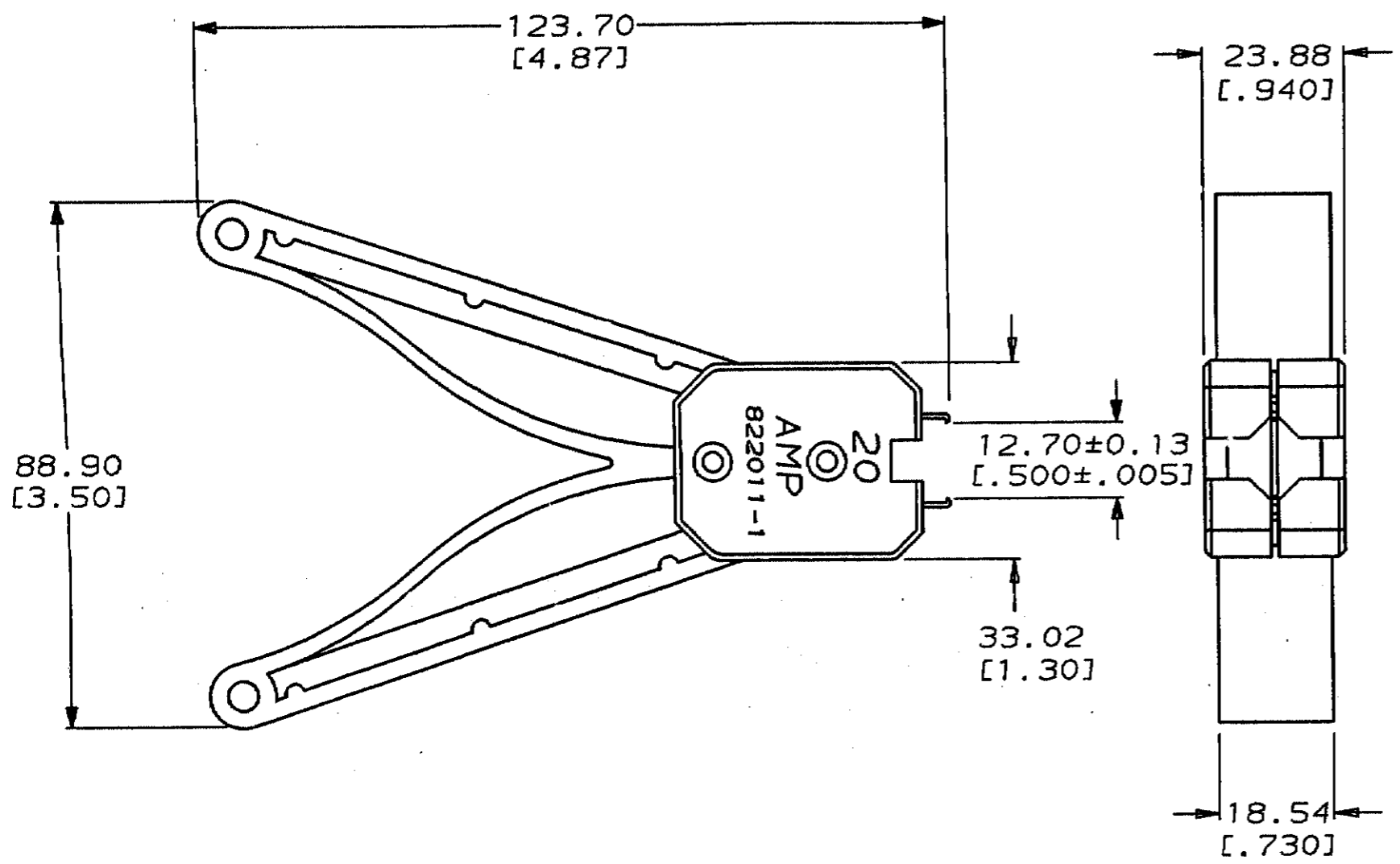


THIS DRAWING IS UNPUBLISHED. RELEASED FOR PUBLICATION
 © COPYRIGHT 19 BY AMP INCORPORATED. ALL INTERNATIONAL RIGHTS RESERVED.

LOC	DIST	P	F	ZONE	LTR	REVISIONS		DATE	APPD
AG	53				B	DESCRIPTION			
		✓				REVISED PER AG-3047		10-27-92	PC
									dv

D
C
B
A



822011-1 SHOWN

DO NOT SCALE PRINT. UNLESS SPECIFIED DIMENSIONS IN mm [INCHES] TOLERANCES ON: 2 PLC DEC ± 0.2 (.01) 3 PLC DEC ± 0.25 (.010) ANGLES * -		DR 8-1-91 C. WHITT	AMP AMP Incorporated Harrisburg, PA 17105-3608
MATERIAL HANDLE- POLYACETAL END CAPS- POLYACETAL HOOK- STAINLESS STEEL 1.07±0.08 [.042±.003] THK	CHK 8-1-91 R. MILLER	NAME TOOL, EXTRACTION, PLCC, 20 POSN.	
FINISH HANDLE- COLOR, BLUE END CAPS- COLOR, BLUE	APPD 8-7-91 K. KREIDLER	SIZE B	CAGE CODE 00779
	APPD -	SCALE 1:1	DRAWING NO 822011
	PRODUCT SPEC -		SHEET - OF -
	APPLICATION SPEC -		
	WEIGHT -		