

# Customer Information Sheet

DRAWING No.: M22-636XXX SHEET 2 OF 2

IF IN DOUBT - ASK

©

NOT TO SCALE

THIRD ANGLE PROJECTION

ALL DIMENSIONS IN mm

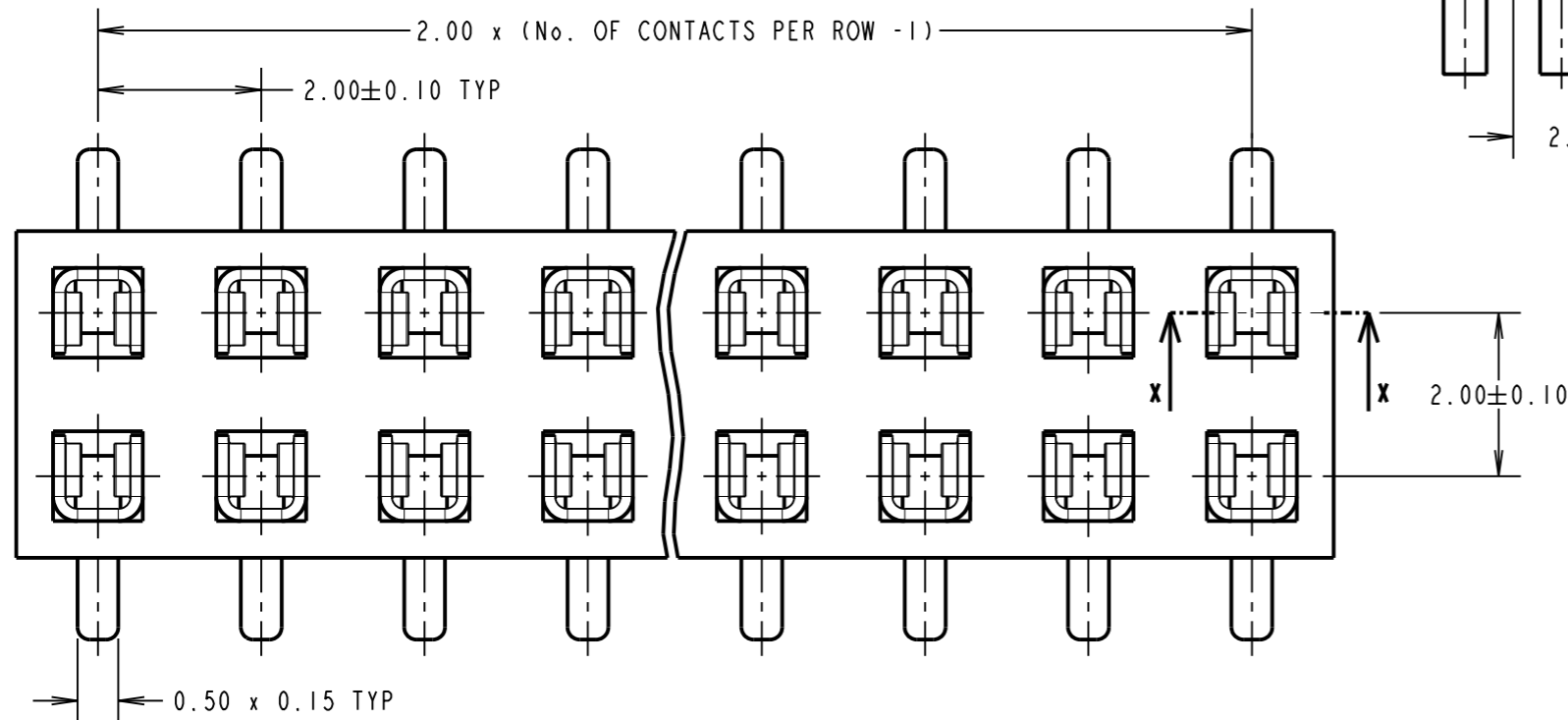
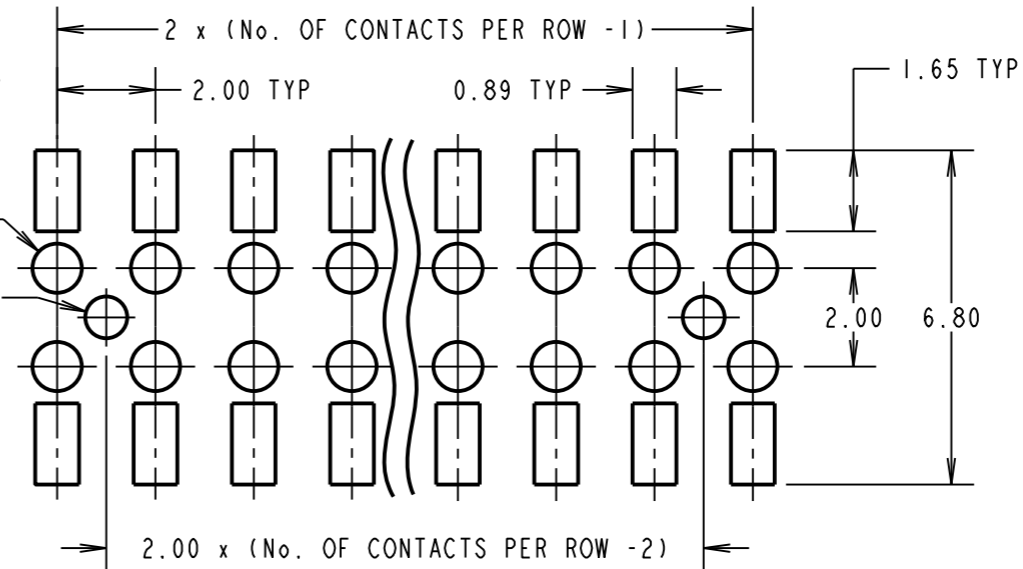
ORDER CODE: **M22-636XXX**  
 No. OF CONTACTS PER ROW: 02 TO 20  
 FINISH:  
 42 - SELECTIVE GOLD FLASH & 100% TIN  
 46 - 100% TIN

**Active products:**  
 M22-63603XX  
 M22-6360442  
 M22-63605XX  
 M22-63606XX  
 M22-6360742  
 M22-6360842  
 M22-6361042  
 M22-6361242

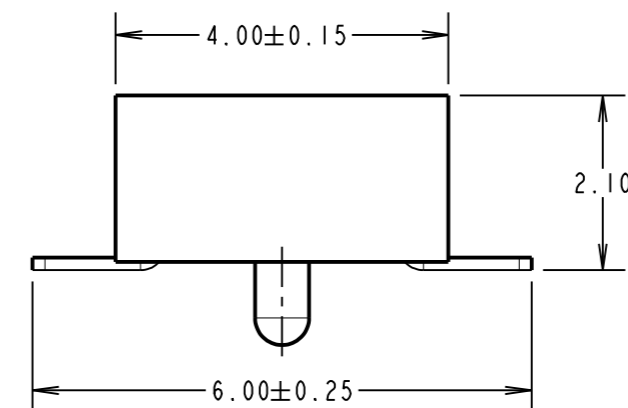
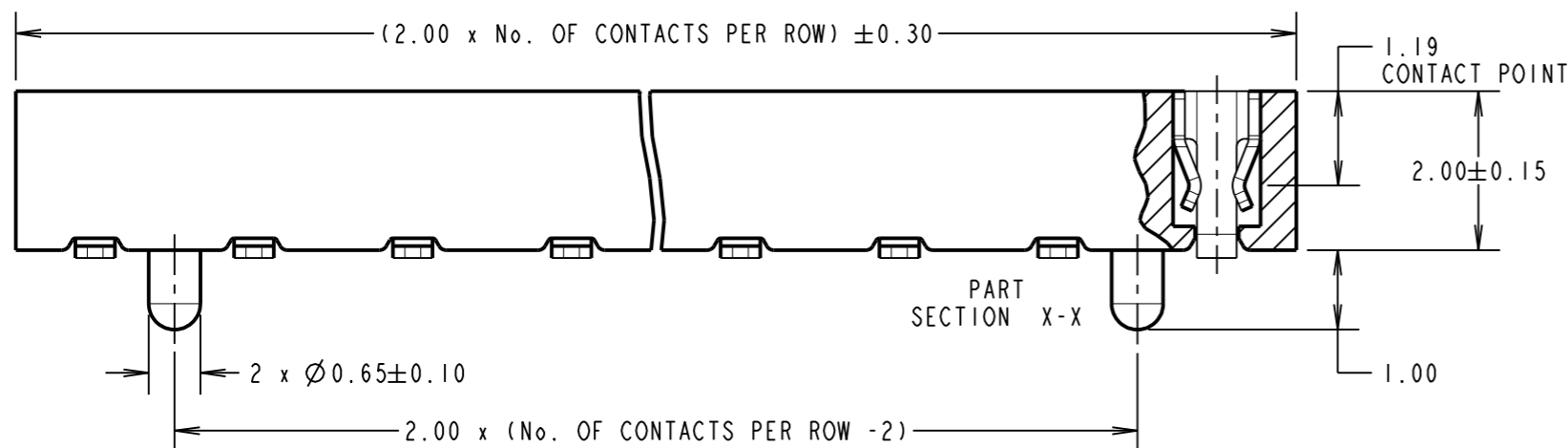
**OBSOLETE**  
 All other size/finish combinations not listed above

RECOMMENDED PCB LAYOUT  
 (TOLERANCE = ±0.05)

Ø 1.00 ± 0.05 TYP  
 Ø 0.85<sup>+0.05</sup><sub>0</sub> TYP



**SPECIFICATION:**  
 MATERIAL = PA9T, UL94V-0, BLACK  
 CONTACTS = PHOSPHOR BRONZE  
 FINISH:  
 42 = NICKEL ALL OVER WITH GOLD FLASH ON CONTACT AREA AND 100% TIN ON TAILS  
 46 = 100% TIN OVER NICKEL  
 ELECTRICAL:  
 CURRENT RATING = 2A  
 CONTACT RESISTANCE = 20mΩ MAX  
 INSULATION RESISTANCE = 1000MΩ MIN  
 DIELECTRIC WITHSTANDING = 500V AC MIN  
 MECHANICAL:  
 DURABILITY = 300 CYCLES MIN  
 INSERTION FORCE = 1.77N MAX  
 WITHDRAWAL FORCE = 0.25N MIN  
 ENVIRONMENTAL:  
 TEMPERATURE RANGE = -40°C TO +105°C  
 PACKING:  
 TUBE  
 FOR COMPLETE SPECIFICATION, SEE COMPONENT SPECIFICATION C018XX (LATEST ISSUE).



MSP	11	04.10.16	13421
NAME	ISS.	DATE	C/NOTE
APPROVED:		M.PERREN	
CHECKED:		S.BENNETT	
DRAWN:		D.BECK	
CUSTOMER REF.:			
ASSEMBLY DRG:			

NOTES:  
 1. ALL TOLERANCES ARE ±0.25, UNLESS OTHERWISE STATED.

**HARWIN**  
 www.harwin.com  
 technical@harwin.com

THIS DRAWING AND ANY INFORMATION OR DESCRIPTIVE MATTER SET OUT HEREON ARE CONFIDENTIAL AND COPYRIGHT PROPERTY OF THE HARWIN GROUP AND MUST NOT BE DISCLOSED, LOANED, COPIED OR USED FOR MANUFACTURING, TENDERING OR FOR ANY OTHER PURPOSE WITHOUT THEIR WRITTEN PERMISSION.

**TOLERANCES**  
 X = ±1mm  
 X.X = ±0.25mm  
 X.XX = ±0.10mm  
 X.XXX = ±0.01mm  
 ANGLES = ±5°  
 UNLESS STATED

**MATERIAL:**  
 SEE ABOVE  
**FINISH:**  
 SEE ABOVE  
**S/AREA:**  
 mm<sup>2</sup>

**TITLE:**  
 2mm PITCH DIL SMT VERTICAL LOW PROFILE SOCKET ASSEMBLY  
**DRAWING NUMBER:**  
**M22-636XXX**  
 SHT 2 OF 2