

### EVALSPEAR600FPG - evaluation board for the SPEAr600

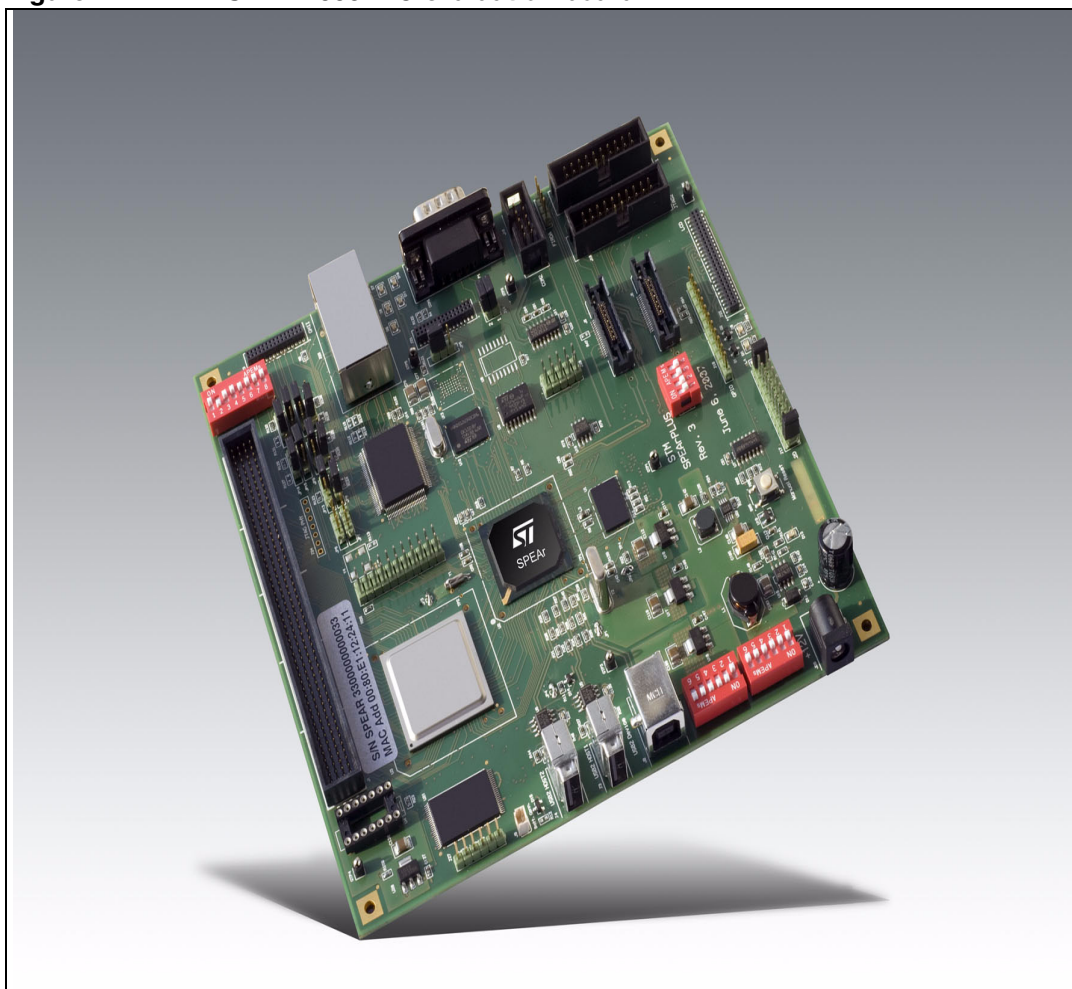
#### Introduction

The EVALSPEAR600FPG evaluation board for SPEAr600 is intended to be used for three main purposes:

- To allow you to quickly evaluate and debug software for the SPEAr600
- To act as a learning tool to rapidly get familiar with the SPEAr600 features
- To provide a reference design to be used as a starting point for the development of a final application board

It is equipped with all the interfaces offered by the SPEAr600. A special version of the board populated with an FPGA also exists for developing customer-specific IPs.

**Figure 1. EVALSPEAR600FPG evaluation board**



## List of tables

Table 1.	Switch 4 configuration. . . . .	9
Table 2.	Default settings for other jumpers. . . . .	10
Table 3.	Auto-negotiation disabled. . . . .	10
Table 4.	Auto-negotiation enabled (advertised capability) . . . . .	10
Table 5.	Ethernet LEDs . . . . .	11
Table 6.	Switch 1 configuration settings . . . . .	12
Table 7.	Switch 1 (SoC functional configuration) . . . . .	15
Table 8.	Switch 1 (debug configuration) . . . . .	15
Table 9.	Switch 1 (functional configuration) . . . . .	15
Table 10.	Switch 2 (general-purpose settings) . . . . .	16
Table 11.	Capacitors. . . . .	17
Table 12.	Diodes, connectors, inductors & transistors . . . . .	18
Table 13.	Resistors. . . . .	19
Table 14.	Switch, semiconductors & crystals . . . . .	21
Table 15.	Document revision history . . . . .	28

# Contents

<b>1</b>	<b>Contents of the kit</b> .....	<b>5</b>
<b>2</b>	<b>Connectors locations</b> .....	<b>5</b>
<b>3</b>	<b>Features and block diagram</b> .....	<b>6</b>
3.1	Features .....	6
3.2	Block diagram .....	6
<b>4</b>	<b>Start up</b> .....	<b>7</b>
4.1	Unpacking .....	7
4.2	Connection .....	7
4.3	Bootting procedure .....	7
<b>5</b>	<b>Block descriptions</b> .....	<b>8</b>
5.1	Dynamic memory subsystem .....	8
5.2	Static memory subsystem .....	8
5.3	External FPGA subsystem .....	9
5.4	Ethernet subsystem .....	9
5.4.1	Configuration jumpers and switches .....	9
5.4.2	Ethernet LEDs .....	11
5.5	USB 2.0 subsystem .....	11
5.5.1	Host ports .....	11
5.5.2	Device port .....	11
5.6	Debug interface .....	11
5.7	A/D interface .....	12
5.8	Real time clock (battery powered) .....	13
5.9	General power supply .....	13
5.10	General-purpose I/Os .....	13
5.11	LEDs .....	13
5.12	LCD Interface .....	14
<b>6</b>	<b>Serial interface</b> .....	<b>14</b>

---

<b>7</b>	<b>Reset switch</b> .....	<b>14</b>
<b>8</b>	<b>Switch settings</b> .....	<b>15</b>
8.1	Switch 1 (SoC functional configuration) .....	15
8.2	Switch 2 (general-purpose settings) .....	16
<b>9</b>	<b>Expansion connector</b> .....	<b>16</b>
<b>10</b>	<b>User manual and board schematic</b> .....	<b>17</b>
<b>11</b>	<b>Evaluation board bill of materials (BOM)</b> .....	<b>17</b>
<b>Appendix A License agreements</b> .....		<b>23</b>
<b>12</b>	<b>Revision history</b> .....	<b>28</b>

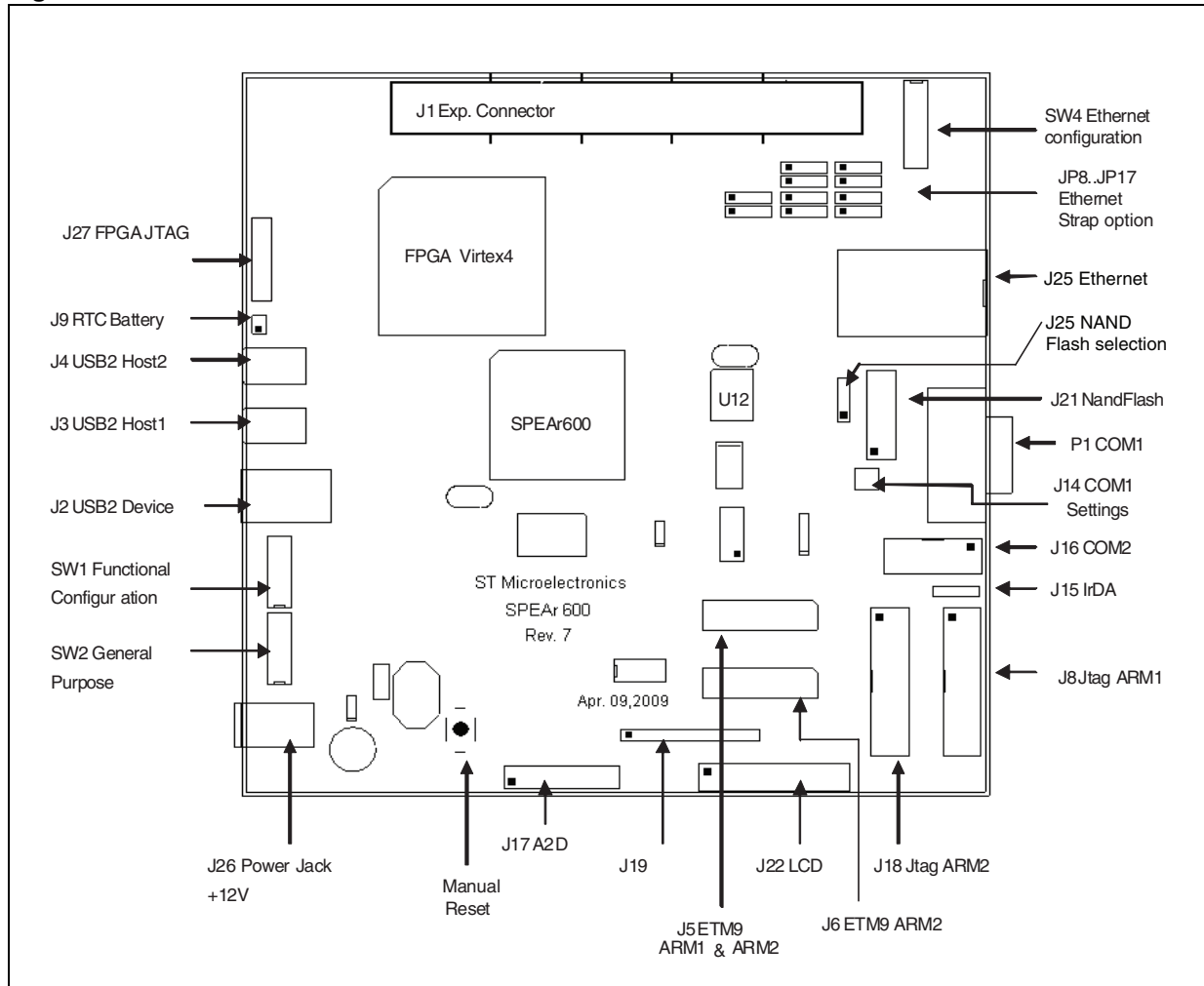
# 1 Contents of the kit

The EVALSPEAR600FPG evaluation board kit contains:

- SPEAr600 evaluation board
- AC/adapter (output voltage 12 V)
- 2 power cords (USA/Europe)
- User manual /Getting started documentation

# 2 Connectors locations

Figure 2. Connectors locations



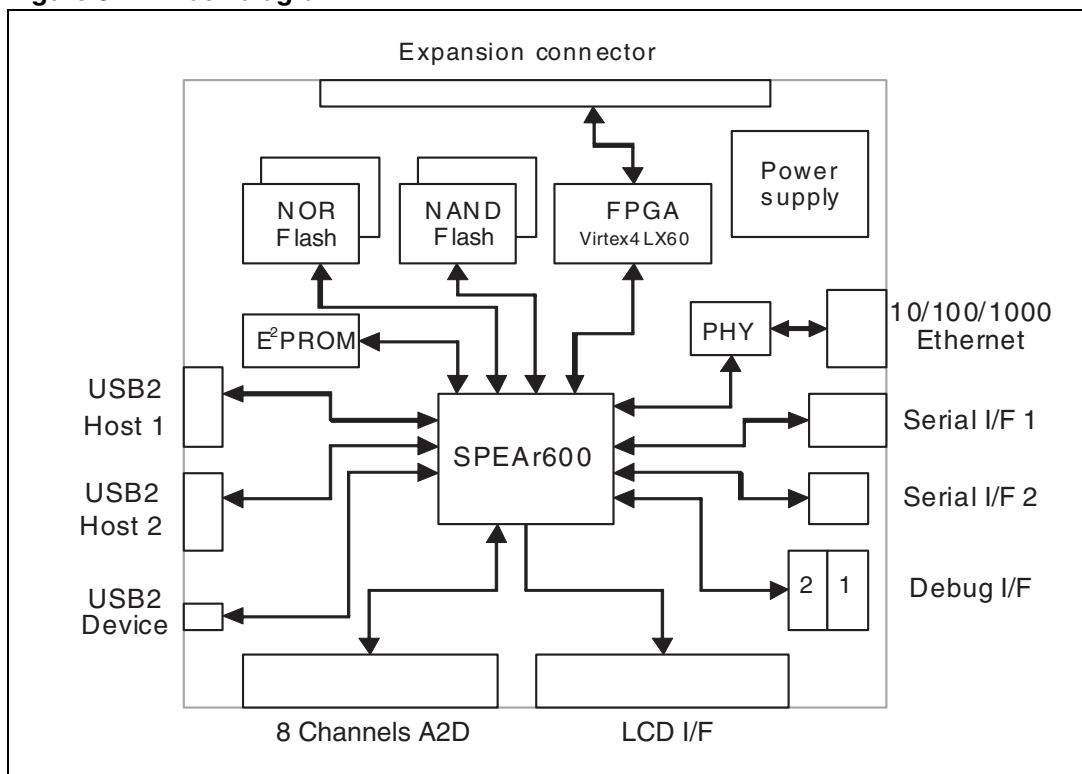
### 3 Features and block diagram

#### 3.1 Features

- Up to 2 Gb DDR2-333 MHz (std 128 MB)
- Up to 16 MB Serial Flash (std 8 MB)
- Up to 2 Gb NAND Flash (std 64 MB)
- 4 Kb Serial I<sup>2</sup>C
- Two USB 2.0 full Host port channels
- One USB 2.0 HS Device
- 10/100/1000 Ethernet port
- Two Serial ports (up to 115 Kbaud)
- Debug ports (JTAG + ETM9)
- 8 ADC channels (10 bit, 1 Msamples)
- 10 GPIOs
- LCD I/F up to 24 *bits-per-pixel* (bpp)
- Additional 112 GPIOs when the external FPGA is used

#### 3.2 Block diagram

Figure 3. Block diagram



## 4 Start up

### 4.1 Unpacking

---

**Warning:** The EVALSPEAR600FPG Evaluation board is shipped in protective anti-static packaging. The board must not be subjected to high electrostatic potentials. General practices for working with static sensitive devices should be applied when working with this board.

---

Before unpacking the evaluation board, you should take the following precautions:

- **Wear an anti-static wristband** - Wearing a simple anti-static wristband can help to prevent ESD from damaging the SPEAr600 evaluation board.
- **Be self-grounded** - Touch a grounded conducting material before handling and periodically while handling the SPEAr600 evaluation board.
- **Use an anti-static pad** - When configuring the SPEAr600 evaluation board, place it on an anti-static pad to reduce the possibility of ESD damage.
- **Only handle the board edges** - When handling the SPEAr600 evaluation board.

### 4.2 Connection

To connect the board, follow these steps:

1. Connect a serial cable (RS232 on P1) to a host PC (see [Figure 2: Connectors locations](#))
2. On a host PC running Windows or Linux, start the Terminal program
3. Connect the AC Adapter to a power outlet
4. Power ON the board (plug the jack of the AC/Adapter on J26). A sequence of boot messages is displayed, followed by the Linux console prompt.

For more information refer to the UM0844 (Getting started with SPEAr® Linux support package (LSP)) available on [www.st.com/spearsoftware](http://www.st.com/spearsoftware)

### 4.3 Booting procedure

The EVALSPEAR600FPG evaluation board is able to boot a Linux kernel pre-installed in the serial NOR Flash.

At power on, the serial port outputs a brief header message with some uBoot information (uBoot version, SDK version, and some internal hardware information). At this point you can choose to:

- **Stop the system directly in uBoot:** For this you have to press the spacebar on the host computer keyboard before the boot delay time expires (default is 3 seconds).
- **Boot Linux:** The system logs you in automatically as super user and the Linux shell prompt is displayed on the screen.

## 5 Block descriptions

### 5.1 Dynamic memory subsystem

The dynamic memory subsystem is composed of three major parts:

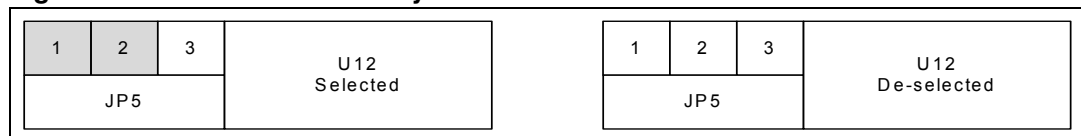
- **Memory chip**  
The memory used is a Micron DDR2 device and its part number is: MT47H64M16HR-3. Its size is 128 Mb x 8 (16 Mb x 8 x 8 banks).
- **Local power supply**  
It is based on a linear regulator with a low drop voltage (LD1117-1.8). It is generated locally in order to minimize the layout impact and also to avoid any noise injection between different subsystems.
- **Signal termination**  
A parallel termination is added on the clock lines to compensate, if needed, the layout dissymmetry. Two 100 Ohm resistors are used for each line in order to obtain an impedance of 50 ohms. All the other terminations are directly inside the pads (both on the SPEAr600 and the memory sides).

### 5.2 Static memory subsystem

The static memory subsystem is composed of three major parts:

- **Serial Flash memory**  
This block is based on an M25P64 ST Serial Flash memory device. The size of this chip is 8 MB and with both the two banks populated we have a total of 16 Mbytes. A switch (SW2-2) is also provided to protect the Flash memory from any unwanted write access.
- **Serial I<sup>2</sup>C EEPROM**  
This block is based on the M24C04W ST Serial I<sup>2</sup>C EEPROM. The size of this chip is 4 Kb. It also has a switch (SW2-3) to protect the EEPROM from unwanted write access.
- **NAND Flash memory**  
This block is based on ST NAND Flash NAND512W3A (U12) its size is 64 MB and its bus width x8. If required this chip can be replaced and another can be used. To do this, deselect the on-board Flash by removing jumper JP5 and connect an adapter board on J21.

**Figure 4. NAND Flash memory selection**





## 5.3 External FPGA subsystem

This block includes an FPGA (Xilinx Virtex4 LX60) plus its Flash memories and the JTAG interface for programming it. The FPGA is connected to the SPEAr600 through a proprietary bidirectional bus. This enables the development of IPs in the FPGA. In this way the FPGA can be used as an expansion of the system. When the FPGA is present, 112 additional I/O lines are provided on the expansion connector (J1). A dedicated clock input line for the FPGA is also connected to socket U4 where an external oscillator can be installed if a special clock frequency needs to be input to the FPGA. The oscillator output can be enabled or disabled using switch SW2-4.

The interface between the FPGA and the SPEAr600 can be synchronous or asynchronous. Its speed can also be set independently from the system speed. This means that, even with this interface is running at 60~80 MHz (which can be considered as a reasonable speed) all the other blocks of the SPEAr can still work at their maximum frequency.

## 5.4 Ethernet subsystem

This subsystem is based on the Ethernet GMII PHY DP83865 (U14) and a connector that also includes all the required magnetics. Several configuration jumpers and several LEDs are present to display the line status/activity.

### 5.4.1 Configuration jumpers and switches

**Table 1. Switch 4 configuration**

Bit	Description
1	PHY Address bit 1 (default value = 0)
2	PHY Address bit 2 (default value = 1)
3	PHY Address bit 3 (default value = 0)
4	PHY Address bit 4 (default value = 0)
5	<b>Multiple Node Enable:</b> This pin determines if the PHY advertises Master (multiple nodes) or Slave (single node) priority during 1000BASE-T Auto-Negotiation. 1: Selects multiple node priority (switch or hub). 0: Selects single node priority (NIC) (default value).
6	<b>Auto MDIX Enable:</b> This pin controls the automatic pair swap (Auto-MDIX) of the MDI/MDIX interface. 1: Enables pair swap mode. 0: Disables the Auto-MDIX and defaults the part into the mode preset by the MAN_MDIX_STRAP pin (default value)
7	<b>Clock To MAC Enable:</b> 1: CLK_TO_MAC clock output enabled (default value) 0: CLK_TO_MAC disabled
8	Not used.

*Note:* When DIP switch SW4-x is in the ON position, the bit value is 0. When the DIP switch is in the OFF position, the bit value is 1.

**Table 2. Default settings for other jumpers**

Reference designator						Description
On			Off			
JP8			JP13			PHY Address bit 0
1	2	3	1	2	3	
JP9			JP14			Auto-negotiation enable bit
1	2	3	1	2	3	
JP10			JP15			Full Duplex select bit
1	2	3	1	2	3	
JP11			JP16			Speed 1 select bit (See <a href="#">Table 3</a> & <a href="#">Table 4</a> )
1	2	3	1	2	3	
JP12			JP17			Speed 0 select bit (See <a href="#">Table 3</a> & <a href="#">Table 4</a> )
1	2	3	1	2	3	

**Speed select strap**

These strap option pins have 2 different functions depending on whether Auto-negotiation is enabled or not. Refer to default settings for other jumpers.

**Table 3. Auto-negotiation disabled**

Speed[1]	Speed[0]	Speed enabled
1	1	Reserved
1	0	1000BASE-T
0	1	100BASE-T
0	0	10BASE-T

**Table 4. Auto-negotiation enabled (advertised capability)**

Speed[1]	Speed[0]	Speed enabled
1	1	1000BASE-T, 10BASE-t
1	0	1000BASE-T
0	1	1000BASE-T, 100BASE-T
0	0	1000BASE-T, 100BASE-T, 10BASE-T

## 5.4.2 Ethernet LEDs

Table 5. Ethernet LEDs

Reference	Description
D7	<b>Duplex Status:</b> The LED is lit when the PHY is in Full Duplex operation after the link is established.
D8	<b>1000M Speed and Good Link LED:</b> The LED output indicates that the PHY has established a good link at 1000 Mbps. In 1000BASE-T mode, the link is established as a result of training, Auto-negotiation completed, valid 1000BASE-T link established and reliable reception of signals transmitted from a remote PHY is received.
D9	<b>100M Speed and Good Link LED:</b> The LED output indicates that the PHY has established a good link at 100 Mbps. In 100BASE-T mode, the link is established as results of an input receive amplitude compliant with TP-PMD specifications which will result in internal generation of signal detect. LINK100_LED will assert after the internal signal detect has remained asserted for a minimum of 500 $\mu$ s. LINK100_LED will de-assert immediately following the de-assertion of the internal signal detect.
D10	<b>10M Good Link LED:</b> In the standard 5-LED display mode, this LED output indicates that the PHY has established a good link at 10 Mbps.
D11	<b>Activity LED:</b> The LED output indicates the occurrence of either idle error or packet transfer.

## 5.5 USB 2.0 subsystem

### 5.5.1 Host ports

The board has two host ports that are fully compliant with the USB 2.0 specification (two controllers with one port each). This means that the two hosts can work in concurrent mode with the maximum possible bandwidth. Each host has also full control of the VBUS supplied by the TPS2030 power switch that also provides overcurrent protection in case of a short circuit in the USB cable. The ports are equipped with LEDs showing the power status of each port. (The green LED indicates the presence of VBUS and the red one the current limiter status).

### 5.5.2 Device port

A USB 2.0 Device port is also provided.

## 5.6 Debug interface

Two debug interfaces are provided:

- The JTAG interface can be used for "static" debug. This means that is possible to set a breakpoint and, when the system stops, to verify the contents of the memory and/or registers and modify them if needed.
- The ETM9 interface can be used for "dynamic" debug. The ETM9 block embedded in the SPEAr600 chip, sends all the information about the AHB transactions during code

execution to the external trace box and the external box stores this information in a local buffer. This makes it possible, by stopping the CPU activity, to analyze the actual program flow. For example, if a particular data abort occurs, you can set a breakpoint on the data abort location and then, when the breakpoint is reached you can analyze the trace buffer. With this information, it becomes a simple task to identify the event that produced the problem.

The following configurations can be selected by setting SW1 bits [3:1].

**Table 6. Switch 1 configuration settings**

Switch 1			Description
3	2	1	
0	0	0	No debug features available.
0	0	1	The 1st ARM JTAG is connected to J8.
0	1	0	The 2nd ARM JTAG is connected to J8.
0	1	1	Both the ARM JTAGs are connected in a daisy chain on J8.
1	0	0	The 1st ARM JTAG is connected to J8 and the 2nd ARM JTAG is connected to J18.
1	0	1	ARM1 ETM bus available on J5 (4-bit demultiplexed mode).
1	1	0	ARM2 ETM bus available on J5 (4-bit demultiplexed mode).
1	1	1	ARM1 ETM bus available on J5 and ARM2 ETM bus available on J6 (Both in 4-bit demultiplexed mode). <sup>(1)</sup>

- To make the ARM2 ETM bus fully available on J6, the board has to be set up as follows:
  - Populate resistors R48, R49, R50, R51 and R52 with 0 ohm resistors.
  - Remove resistors R93 and R94.

Please refer to the documentation of the trace box manufacturers for more information on the ETM interface ([www.lauterbach.com](http://www.lauterbach.com), [www.agilent.com](http://www.agilent.com), [www.yokogawa.com](http://www.yokogawa.com)).

## 5.7 A/D interface

Eight analog input lines are provided on the J17 connector. The connector also allows you to determine the conversion range by setting the conversion limits on pins J17-19 (lower limit) and J17-1 (upper limit). The default setting is to have pins 1-2 and 19-20 shorted by jumpers.

In this way the conversion range is set to the maximum value (0 ~ 2.5V with a granularity of 2.44 mV) but by removing the two jumpers and providing different values on pin 1 and 19 it is possible to reduce the range and thus increase the granularity. For example if you input 1 V on J17-19 and 2 V on J17-1 the range will be 1 V ~ 2 V in steps of less than 1 mV.

In any case the following relationships between the pins should be ensured:

$$\begin{array}{ccccccc}
 0\text{ V} & \leq & \text{J17-19} & \leq & \text{J17 17 ~ 3} & \leq & \text{J17-1} & \leq & 2.5\text{ V} \\
 \text{AGND} & \leq & \text{Vref}_n & \leq & \text{ADC\_In} & \leq & \text{Vref}_p & \leq & \text{AVDD} \\
 & & & & \text{channels} & & & & 
 \end{array}$$

## 5.8 Real time clock (battery powered)

The real time clock (RTC) is powered with a 3V external battery (J9) in order to avoid losing its data even if the main power supply is switched off.

## 5.9 General power supply

From a 12 V ~ 25 V external AC/DC regulator power source, this block generates all the required voltages as follows:

- 1.0 V (Switching regulator) to supply the internal logic of the SPEAr600
- 1.2 V (Switching regulator) for the FPGA core
- 1.8 V (LDO regulator) for the DDR2 memory
- 2.5 V (LDO regulator) for the analog portion of SPEAr600 and for the Ethernet interface
- 3.3 V (LDO regulator) to supply the other interfaces
- 5 V (Switching regulator) to supply the USB Host VBUS

A power monitor is also present to provide the general reset of the board.

## 5.10 General-purpose I/Os

Ten general purpose I/Os are present on the board. Four of them are connected to a DIP switch to allow the user to select/deselect them. The other two, GPIO4 and GPIO5, drive two LEDs (one green and one yellow). All the GPIOs are also connected to the J19 connector which also has GND and 3.3V pins available.

*Note:* For the connector pin-out, refer to the schematic drawing available on [www.st.com/spear](http://www.st.com/spear).

## 5.11 LEDs

Several LEDs are present on the board. They display the following status information:

- D13 (green) - Main power present
- D1 (green) - VBUS present on USB HOST port 1
- D3 (green) - VBUS present on USB HOST port 1
- D2 (red) - Abnormal current flowing on USB HOST 1 port
- D4 (red) - Abnormal current flowing on USB HOST 1 port
- D5 (yellow) - Switched on/off by GPIO4
- D6 (green) - Switched on/off by GPIO5
- D7-11 (yellow) - Ethernet line status LEDs. (Refer to [Section 5.4: Ethernet subsystem](#))

## 5.12 LCD Interface

The J22 connector (P/N SFM-125-02-S-D Samtec) is provided to allow the user to connect an LCD daughter board. It mates with TFM-125-02-S-D

The following signals are available on the J22 connector:

- All the LCD interface signals
- Two analog inputs (A/D)
- Three GPIO lines
- +12 V
- +5 V
- GND

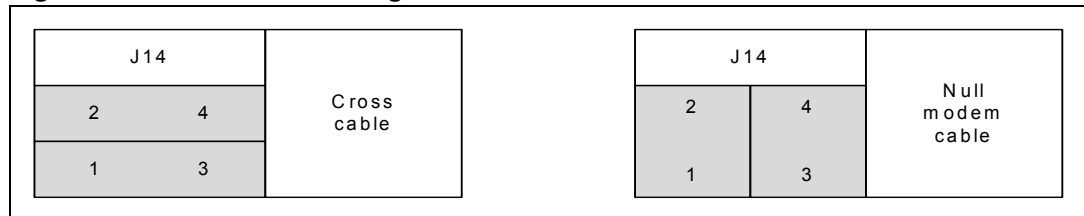
*Note:* For the connector pinout, refer to the schematic drawing available on [www.st.com/spear](http://www.st.com/spear).

## 6 Serial interface

Two serial interface ports are available. The 1st one, typically used as an OS monitor, is available on the P1 connector. It is possible to simulate a cross-cable by changing the position of the J14 jumpers as shown in [Figure 5](#).

The 2nd serial interface port is available on J16. For the pinout of the connectors, refer to the schematic drawing available on [www.st.com/spear](http://www.st.com/spear).

**Figure 5. Serial cable setting**



## 7 Reset switch

A manual reset switch (SW5) is available on the top side of the board.

## 8 Switch settings

### 8.1 Switch 1 (SoC functional configuration)

**Table 7. Switch 1 (SoC functional configuration)**

Bit	Description
1	Test0 – see Debug configuration below
2	Test1 – see Debug configuration below
3	Test2 – see Debug configuration below
4	Test3 – see Functional configuration below
5	Test4 – see Functional configuration below
6	Test5 – see Functional configuration below

**Table 8. Switch 1 (debug configuration)**

Test bit			Debug configuration
3	2	1	
0	0	0	Normal Mode (No debug enabled)
0	0	1	ARM1 JTAG connected to J8
0	1	0	ARM2 JTAG connected to J8
0	1	1	ARM1 and ARM2 JTAG connected in daisy chain to J8
1	0	0	ARM1 JTAG connected to J8 and ARM2 JTAG connected to J18.
1	0	1	ARM1 ETM interface enabled. (J5)
1	1	0	ARM2 ETM interface enabled. (J5)
1	1	1	ARM1 and ARM2 ETM interface enabled. ARM1 on J5 and AMR2 on J6.

**Table 9. Switch 1 (functional configuration)**

Test bit			Functional configuration
6	5	4	
0	0	0	Default configuration
0	0	1	Nand Flash Interface disable (not usable on the board)
0	1	0	LCD interface disabled (not usable on the board)
0	1	1	GMAC interface disabled (not usable on the board)
1	0	0	FPGA interface enabled with clock and reset coming from FPGA to SPEAr
1	0	1	FPGA interface enabled with clock and reset coming from SPEAr to FPGA.
1	1	0	Reserved
1	1	1	Reserved

*Note:* When DIP switch SW1-x is in the ON position, the bit value is 0. When the DIP switch is in the OFF position, the bit value is 1.

The default setting of SW1 is: Bit 1 = OFF all other bits (2:6) = ON

For more details on these settings, refer to the miscellaneous register description in the SPEAr600 user manual available at [www.st.com/spear](http://www.st.com/spear).

## 8.2 Switch 2 (general-purpose settings)

Default setting = all bits OFF.

**Table 10. Switch 2 (general-purpose settings)**

Bit	Description
1	On - The FPGA done signal controls the main reset to avoid any unwanted activity during the FPGA bit stream download.
2	On - The Serial Flash memories are protected against unwanted write operations.
3	On - Inhibits write operations on the I <sup>2</sup> C EEPROM device.
4	This switch controls the external oscillator (U4) enable.
5	This switch enables the boot through USB interface.
6	This switch should be closed when the ETM interface is enabled and there is an LCD connected to prevent the LCD from disabling the LCD power by itself.

*Note:* When DIP switch SW2-x is in the ON position, the bit value is 0. When the DIP switch is in the OFF position, the bit value is 1.

## 9 Expansion connector

An expansion connector (J1) is provided to allow the user to add an additional board. (Part number TMMS-150-01-FM-Q-FS Samtec). It mates with SQT-150-01-FM-Q

The following signals are available on connector J1:

- FPGA\_GPIO(0) ~ FPGA\_GPIO(111)
- Three SoC GPIO lines
- Five Analog inputs (A/D)
- +12V (1A)
- +5V (1A)
- +3.3V (200 mA)
- +1.2V (200 mA)

*Note:* For the connector pinout, refer to the schematic drawing available on [www.st.com/spear](http://www.st.com/spear).



## 10 User manual and board schematic

The user manual and board schematic are available on [www.st.com/spear](http://www.st.com/spear).

## 11 Evaluation board bill of materials (BOM)

**Reference:** Spear600 BOM Board Rev.7 Sep. 11 2009

**Table 11. Capacitors**

Item	Qty	Reference	Part	Manufacturer	Manufacturer P/N
1	98	C1,C2,C3,C4,C5,C6,C7,C8,C9,C10,C11,C12,C13,C14,C15,C17,C18,C19,C23,C24,C25,C26,C27,C28,C29,C30,C31,C32,C39,C40,C41,C42,C44,C45,C46,C47,C48,C49,C50,C52,C53,C54,C55,C56,C57,C66,C88,C89,C90,C114,C115,C116,C117,C118,C119,C120,C121,C122,C123,C124,C125,C126,C127,C128,C129,C130,C131,C132,C133,C134,C136,C139,C143,C146,C147,C148,C149,C150,C151,C152,C153,C154,C155,C156,C157,C158,C159,C160,C161,C162,C163,C164,C166,C167,C168,C175,C176,C177	.1uF	KEMET Electronics	C0402C104K8PAC7867
2	13	C16,C21,C71,C74,C78,C83,C84,C85,C86,C91,C92,C173,C174	10nF	KEMET Electronics	C0603C103K5RAC
3	36	C20,C22,C33,C34,C43,C51,C58,C6,C61,C62,C63,C64,C65,C67,C68,C72,C73,C75,C82,C87,C93,C94,C9,C96,C97,C98,C99,C100,C113,C135,C169,C170,C171,C172,C178,C179	.1uF	VITRAMON	MR-VJ0603Y104KX
4	4	C37,C38,C79,C80	15pF	MURATA	GRM1885C1H150JZ01D
5	2	C35,C36,	10pF	MURATA	GRM1885C1H100JA01D
6	2	C77,C76	22uF	KEMET Electronics	C1210C226Z8VAC
7	1	C101	220uF 50V +/- 20% YK	RUBYCON	
8	1	C102	1uF 25V	KEMET Electronics	C0805C105Z3VAC

**Table 11. Capacitors (continued)**

Item	Qty	Reference	Part	Manufacturer	Manufacturer P/N
9	7	C103,C108,C110,C112,C138,C140,C142	10uF	KEMET Electronics	C1210C106Z4VAC
10	1	C104	22nF	KEMET Electronics	C0603C223K5RAC
11	2	C145,C105	100uF 6.3V Tantalum	AVX	TPSC107K006R0150
12	1	C106	220pF	KEMET Electronics	C0603C221J5GAC
13	30	C107,C109,C111,C137,C180,C181,C182,C183,C184,C185,C186,C187,C188,C189,C190,C191,C192,C193,C194,C195,C196,C197,C198,C199,C200,C201,C202,C203,C204,C205	1uF	KEMET Electronics	C0603C105K8PAC7867
14	1	C141	1nF	KEMET Electronics	C0603C102K5RAC
15	1	C144	100uF 16V		

**Table 12. Diodes, connectors, inductors & transistors**

Item	Qty	Reference	Part	Manufacturer	Manufacturer P/N
16	4	D1,D3,D6,D13	LED Green	KINGBRIGHT	KP-2012SGC
17	2	D2,D4	LED Red	KINGBRIGHT	KP-2012SRC-PRV
18	6	D5,D7,D8,D9,D10,D11	LED Yellow	KINGBRIGHT	KP-2012SYC
19	1	D12	STPS2L60	STM	STPS2L60A
20	1	D14	BAV70	On Semiconductor	BAV70E6327
21	6	GTP1,GTP2,GTP3,GTP4,GTP5,GTP6	GTP	VERO Technologies	20-2136
22	4	JP1,JP2,JP3,JP4	JUMPER	TYCO Electronics AMP	5-826629-0
23	13	JP5,JP6,JP7,JP8,JP9,JP10,JP11,JP12,JP13,JP14,JP15,JP16,JP17	JUMPER3	TYCO Electronics AMP	5-826629-0
24	1	J1	YTQ-150-01-F	SAMTEC	TMMS-150-01-FM-Q-FS
25	1	J2	USB Device	SAMTEC	USB-B-S-F-B-TH
26	2	J3,J4	USB HOST1-2	MOLEX Electronics	89485-8000

**Table 12. Diodes, connectors, inductors & transistors (continued)**

27	2	J5,J6	Mictor 5767061-1	TYCO Electronics AMP	5767061-1
28	1	J7	CON22A	TYCO Electronics AMP	5-826925-0
29	2	J18,J8	CON20A	TYCO Electronics AMP	2-1634688-0
30	1	J9	BatCon	MOLEX Electronics	53047-0210
31	1	J14	Jumper2x2	TYCO Electronics AMP	5-826925-0
32	1	J15	CON4	TYCO Electronics AMP	5-826629-0
33	1	J16	CON10A	TYCO Electronics AMP	1-1634688-0
34	1	J17	CON20A	TYCO Electronics AMP	5-826925-0
35	1	J19	CON12	TYCO Electronics AMP	5-826629-0
36	1	J20	CON10A	TYCO Electronics AMP	5-826925-0
37	1	J21	CON30A	SAMTEC	CLP-115-02-L-D
38	1	J22	CON50A	SAMTEC	SFM-125-02-S-D
39	1	J25	JK065401NL	PULSE	JK065401NL
40	1	J26	TAP_2.5mm	CLIFF Electronics	FC681491
41	1	J27	CON6	TYCO Electronics AMP	5-826629-0
42	1	L1	33uH	COILCRAFT	DO3316P-333MLB
43	1	L2	6.8uH	COILCRAFT	MSS6132-682MLC
44	2	L4,L3	BLM18AG102S N1D	MURATA	BLM18AG102SN1 D
45	1	P1	CON. DB9 Male	TYCO Electronics AMP	5747840-2
46	2	Q1,Q2	BCR112	INFINEON	BCR112E6327
47	1	Q3	BC848	INFINEON	BC848CE6327

**Table 13. Resistors**

Item	Qty	Reference	Part	Manufacturer	Manufacturer P/N
48	6	R37,R44,R71,R77,R78,R79	1K	TYCO Electronics UK	CRG0603F1K0
49	3	R2,R3,R46	121K 1%		

**Table 13. Resistors (continued)**

50	19	R4,R12,R16,R26,R68,R69,R112, R119,R120,R133,R134,R135, R136,R137,R138,R139,R143, R152,R155	4.7K	TYCO Electronics UK	CRG0603F4K7
51	8	R5,R24,R105,R123,R125,R127, R129,R131	2.2K	TYCO Electronics UK	CRG0603F2K2
52	17	R6,R7,R27,R28,R29,R30,R31, R34,R35,R36,R38,R39,R41,R42, R82,R101,R159	10	TYCO Electronics UK	CRG0603F10R
53	2	R8,R15	470	TYCO Electronics UK	CRG0603F470R
54	9	R9,R72,R93,R94,R95,R96,R97, R98,R99	0	TYCO Electronics UK	CRG0603ZR
55	2	R104,R10	33	TYCO Electronics UK	CRG0603F33R
56	1	R11	180K	TYCO Electronics UK	CRG0603F180K
57	4	R13,R14,R20,R21	100	TYCO Electronics UK	MR- CRG0402F100R
58	1	R17	470K	TYCO Electronics UK	CRG0603F470K
59	1	R23	22	TYCO Electronics UK	CRG0603F22R
60	28	R25,R53,R54,R55,R56,R57,R60, R61,R62,R63,R64,R65,R66,R70, R73,R74,R75,R83,R84,R85,R86, R87,R88,R89,R90,R91,R121, R122	10K	TYCO Electronics UK	CRG0603F10K
61	3	R32,R40,R141	270	TYCO Electronics UK	CRG0603F270R
62	4	R33,R43,R80,R81	150	TYCO Electronics UK	CRG0603F150R
63	1	R45,R156	1.5K 1%	TYCO Electronics UK	CRG0603F1K5
64	3	R59,R151,R153	100	TYCO Electronics UK	CRG0603F100R
65	1	R103	1M	TYCO Electronics UK	CRG0603F1M0
66	1	R100	18	TYCO Electronics UK	CRG0603F18R
67	1	R102	9.76K 1%		
68	8	R106,R107,R108,R109,R111, R114,R115,R117	49,9		

**Table 13. Resistors (continued)**

69	6	R124,R126,R128,R130,R132, R154	330	TYCO Electronics UK	CRG0603F330R
70	1	R140	3.9K	TYCO Electronics UK	CRG0603F3K9
71	1	R142	1.2K	TYCO Electronics UK	CRG0603F1K2
72	1	R150	22K		
73	1	R157	100K	TYCO Electronics UK	CRG0603F100K

**Table 14. Switch, semiconductors & crystals**

Item	Qty	Reference	Part	Manufacturer	Manufacturer P/N
74	2	SW1,SW2	SW DIP-6	APEM Components	DS06
75	1	SW3	SW DIP-4	APEM Components	DS04
76	1	SW4	SW DIP-8	APEM Components	DS08
77	1	SW5	PUSHBUTTON	OMRON Electronics	B3S-1000
78	1	U1	MT47H64M16HR- 3	MICRON	MT47H64M16HR- 3E
79	1	U2	SPEAr600	STM	SPEAR-09-P022
80	1	U3	XXC4VLX60_11F FG668	XILINX	XC4VLX60- 11FFG668C
81	1	U4	Socket Augat	WINSLOW Adaptics	W30514TT
82	2	U5,U6	TPS2030	TEXAS Instruments	TPS2030D
83	1	U7	74HC09	STM	M74HC09RM13TR
84	1	U8	M25P64	STM	M25P64-VMF6P
85	1	U10	M24C04	STM	M24C04-WMN6P
86	1	U11	ST3232CD	STM	ST3232CDR
87	1	U12	NandFlashx8_FB GA63	STM	Nand512W3A2CZ A6
88	1	U14	GigPhy DP83865	NATIONAL	DP83865DVH/NO PB
89	1	U15	L5972D	STM	E-L5972D
90	1	U16	LD1117S33TR	STM	LD1117S33TR
91	1	U17	LD1117S25TR	STM	LD1117S25TR
92	1	U18	LD1117S18TR	STM	LD1117S18TR

**Table 14. Switch, semiconductors & crystals (continued)**

93	1	U19	STM811	STM	STM811SW16F
94	1	U20	PL5S-12C	TDK-Lambda	PL5S-12-C
95	1	U21	XCF32PVOG48C	XILINX	XCF32PVOG48C
96	1	U22	L6926	STM	L6926
97	1	Y1	32KHz	FOX Electronics	NC26LF-327
98	1	Y2	30MHz	C-MAC	XTAL003342
99	1	Y3	25MHz	FOX Electronics	FOXS/250F-20
100	15		Jumper	WINSLOW Adaptics	W8010T50
101	4		Rubber feet	PDE	PD2115BL

## Appendix A License agreements

### DEMO PRODUCT LICENSE AGREEMENT

**By using this Demonstration Product, You are agreeing to be bound by the terms and conditions of this agreement. Do not use this Demonstration Product until You have read and agreed to the following terms and conditions. The use of the Demonstration Product implies automatically the acceptance of the following terms and conditions.**

**LICENSE.** STMicroelectronics ("ST") grants You the right to use the enclosed demonstration board offering limited features only to evaluate and test ST products, including any incorporated and/or accompanying demo software, components and documentation identified with the order code "STEVAl" (collectively, the "Demo Product") solely only for your evaluation and testing purposes. The Demo Product shall not be, in any case, directly or indirectly assembled as a part in any production of Yours as it is solely developed to serve demonstration purposes and has no direct function and is not a finished product. Certain demo software included with the Demo Product may be covered under a separate accompanying end user license agreement, in which case the terms and conditions of such end user license agreement shall apply to that demonstration software.

**DEMO PRODUCT STATUS.** The Demo Product is offering limited features allowing You only to evaluate and test the ST products. You are not authorized to use the Demo Product in any production system, and may not be offered for sale or lease, or sold, leased or otherwise distributed. If the Demo Product is incorporated in a demonstration system, the demonstration system may be used by You solely for your evaluation and testing purposes. Such demonstration system may not be offered for sale or lease or sold, leased or otherwise distributed and must be accompanied by a conspicuous notice as follows: "This device is not, and may not be, offered for sale or lease, or sold or leased or otherwise distributed".

**OWNERSHIP AND COPYRIGHT.** Title to the Demo Product, demo software, related documentation and all copies thereof remain with ST and/or its licensors. You may not remove the copyrights notices from the Demo Product. You may make one (1) copy of the software for back-up or archival purposes provided that You reproduce and apply to such copy any copyright or other proprietary rights notices included on or embedded in the demonstration software. You agree to prevent any unauthorized copying of the Demo Product, demonstration software and related documentation.

**RESTRICTIONS.** You may not sell, assign, sublicense, lease, rent or otherwise distribute the Demo Product for commercial purposes (unless you are an authorized ST distributor provided that all the other clauses of this DEMO

**PRODUCT LICENSE AGREEMENT** shall apply entirely), in whole or in part, or use Demo Product in production system. Except as provided in this Agreement or in the Demo Product's documentation, You may not reproduce the demonstration software or related documentation, or modify, reverse engineer, de-compile or disassemble the demonstration software, in whole or in part.

**You warrant to ST that the Demo Product will be used and managed solely and exclusively in a laboratory by skilled professional employees of Yours with proven expertise in the use and management of such products and that the Demo Product shall be used and managed according to the terms and conditions set forth in the related documentation provided with the Demo Product.**

**According to European Semiconductor Industry Association (ESIA) letter, "ESIA Response on WEEE Review (May 2008) of the Directive 2002/96/EC on Waste Electrical and Electronic Equipment (WEEE)"; Semiconductor products and evaluation & demonstration boards are not in the scope of the Directive 2002/96/EC of the European Parliament and of the Council on waste electrical and electronic equipment (WEEE). Consequently aforementioned products do not have to be registered nor are they subject to the subsequent obligations.**

**NO WARRANTY.** The Demo Product is provided "as is" and "with all faults" without warranty of any kind expressed or implied. ST and its licensors expressly disclaim all warranties, expressed, implied or otherwise, including without limitation, warranties of merchantability, fitness for a particular purpose and non-infringement of intellectual property rights. ST does not warrant that the use in whole or in part of the Demo Product will be interrupted or error free, will meet your requirements, or will operate with the combination of hardware and software selected by You. You are responsible for determining whether the Demo Product will be suitable for your intended use or application or will achieve your intended results.

ST shall not have any liability in case of damages, losses, claims or actions anyhow caused from combination of the Demo Product with another product, board, software or device.

ST has not authorized anyone to make any representation or warranty for the Demo Product, and any technical, applications or design information or advice, quality characterization, reliability data or other services provided by ST shall not constitute any representation or warranty by ST or alter this disclaimer or warranty, and in no additional obligations or liabilities shall arise from ST's providing such information or services. ST does not assume or authorize any other person to assume for it any other liability in connection with its Demo Products.

All other warranties, conditions or other terms implied by law are excluded to the fullest extent permitted by law.

**LIMITATION OF LIABILITIES.** In no event ST or its licensors shall be liable to You or any third party for any indirect, special, consequential, incidental, punitive damages or other damages (including but not limited to, the cost of labour, re-qualification, delay, loss of profits, loss of revenues, loss of data, costs of procurement of substitute goods or services or the

like) whether based on contract, tort, or any other legal theory, relating to or in connection with the Demo Product, the documentation or this Agreement, even if ST has been advised of the possibility of such damages. In no event shall ST's aggregate liability to You or any third party under this agreement for any cause action, whether based on contract, tort, or any other legal theory, relating to or in connection with the Demo Product, the documentation or this agreement shall exceed the purchase price paid for the Demo Product if any.

**TERMINATION.** ST may terminate this license at any time if You are in breach of any of its terms and conditions. Upon termination, You will immediately destroy or return all copies of the demo software and documentation to ST.

**APPLICABLE LAW AND JURISDICTION.** In case of dispute and in the absence of an amicable settlement, the only competent jurisdiction shall be the Courts of Geneva, Switzerland. The applicable law shall be the law of Switzerland. The UN Convention on contracts for the International Sales of Goods shall not apply to these General Terms and Conditions of Sale.

**SEVERABILITY.** If any provision of this agreement is or becomes, at any time or for any reason, unenforceable or invalid, no other provision of this agreement shall be affected thereby, and the remaining provisions of this agreement shall continue with the same force and effect as if such unenforceable or invalid provisions had not been inserted in this Agreement.

**WAIVER.** The waiver by either party of any breach of any provisions of this Agreement shall not operate or be construed as a waiver of any other or a subsequent breach of the same or a different provision.

**RELATIONSHIP OF THE PARTIES.** Nothing in this Agreement shall create, or be deemed to create, a partnership or the relationship of principal and agent or employer and employee between the Parties. Neither Party has the authority or power to bind, to contract in the name of or to create a liability for the other in any way or for any purpose.

**RECYCLING. The Demo Product is not to be disposed as an urban waste. At the end of its life cycle, differentiated waste collection must be followed, as stated in the directive 2002/96/EC.**

In all the countries belonging to the European Union (EU Dir. 2002/96/EC) and those following differentiated recycling, the Demo Product is subject to differentiated recycling at the end of its life cycle, therefore:

It is forbidden to dispose the Demo Product as an undifferentiated waste or with other domestic wastes. Consult the local authorities for more information on the proper disposal channels.

It is mandatory to sort the demo product and deliver it to the appropriate collection centers, or, when possible, return the demo product to the seller.

An incorrect Demo Product disposal may cause damage to the environment and is punished by the law.

10-Nov-2008



## SOFTWARE LICENSE AGREEMENT

**This Software License Agreement ("Agreement") is displayed for You to read prior to downloading and using the Licensed Software. If you choose not to agree with these provisions, do not download or install the enclosed Licensed Software and the related documentation and design tools. By using the Licensed Software, You are agreeing to be bound by the terms and conditions of this Agreement. Do not use the Licensed Software until You have read and agreed to the following terms and conditions. The use of the Licensed Software implies automatically the acceptance of the following terms and conditions.**

## DEFINITIONS

**Licensed Software:** means the enclosed demonstration software and all the related documentation and design tools licensed in the form of object and/or source code as the case may be.

**Product:** means a product or a system that includes or incorporates solely and exclusively an executable version of the Licensed Software and provided further that such Licensed

Software executes solely and exclusively on ST products.

## LICENSE

STMicroelectronics ("ST") grants You a non-exclusive, worldwide, non-transferable (whether by assignment, law, sublicense or otherwise), revocable, royalty-free limited license to:

(i) make copies, prepare derivatives works, display internally and use internally the source code version of the Licensed Software for the sole and exclusive purpose of developing executable versions of such Licensed Software only for use with the Product;

(ii) make copies, prepare derivatives works, display internally and use internally object code versions of the Licensed Software for the sole purpose of designing, developing and manufacturing the Products;

(iii) make, use, sell, offer to sell, import or otherwise distribute Products.

## OWNERSHIP AND COPYRIGHT

Title to the Licensed Software, related documentation and all copies thereof remain with ST and/or its licensors. You may not remove the copyrights notices from the Licensed Software.

You may make one (1) copy of the Licensed Software for back-up or archival purposes provided that You reproduce and apply to such copy any copyright or other proprietary rights notices included on or embedded in the Licensed Software. You agree to prevent any unauthorized copying of the Licensed Software and related documentation.

## RESTRICTIONS

Unless otherwise explicitly stated in this Agreement, You may not sell, assign, sublicense, lease, rent or otherwise distribute the Licensed for commercial purposes, in whole or in part purposes (unless you are an authorized ST distributor provided that all the other clauses of this DEMO PRODUCT LICENSE AGREEMENT shall apply entirely).

You acknowledge and agree that any use, adaptation translation or transcription of the

Licensed Software or any portion or derivative thereof, for use with processors manufactured by or for an entity other than ST is a material breach of this Agreement and requires a separate license from ST. No source code and/or object code relating to and/or based upon Licensed Software is to be made available by You to any third party for whatever reason.

You acknowledge and agrees that the protection of the source code of the Licensed Software warrants the imposition of security precautions and You agree to implement reasonable security measures to protect ST's proprietary rights in the source code of the Licensed Software. You shall not under any circumstances copy, duplicate or otherwise reproduce the source code of the Licensed Software in any manner, except as reasonably necessary to exercise Your rights hereunder and make one back-up copy. You are granted the right to make one archival or backup copy of the source code of the Licensed Software, which copy shall be marked as an archival copy and as the confidential information of ST. Access to the source code of the Licensed Software shall be restricted to only those of Your employees with a need-to-know for the purpose of this Agreement.

You will not under any circumstances permit the source code of the Licensed Software in any form or medium (including, but not limited to, hard copy or computer print-out) to be removed from your official premises as you have informed us. The source code of the Licensed Software must remain inside your official premises, as you have informed us. You will lock the source code of the Licensed Software and all copies thereof in a secured storage inside your official premises at all times when the source code of the Licensed Software is not being used as permitted under this Agreement.

You will inform all Your employees who are given access to the source code of the Licensed Software of the foregoing requirements, and You will take all reasonable precautions to ensure and monitor their compliance with such requirements. You agree to promptly notify ST in the event of a violation of any of the foregoing, and to cooperate with ST to take any remedial action appropriate to address the violation. You shall keep accurate records with respect to its use of the source code of the Licensed Software. In the event ST demonstrates to You a reasonable belief that the source code of the Licensed Software has been used or distributed in violation of this Agreement, ST may by written notification request certification as to whether such unauthorized use or distribution has occurred. You shall reasonably cooperate and assist ST in its determination of whether there has been unauthorized use or distribution of the source code of the Licensed Software and will take appropriate steps to remedy any unauthorized use or distribution.

You agree that ST shall have the right (where ST reasonably suspects that the terms and conditions of this Agreement with reference to Restriction clause have not been complied with) upon reasonable notice to enter Your official premises in order to verify your compliance with this Restriction clause.

#### **NO WARRANTY**

The Licensed Software is provided "as is" and "with all faults" without warranty of any kind expressed or implied. ST and its licensors expressly disclaim all warranties, expressed, implied or otherwise, including without limitation, warranties of merchantability, fitness for a particular purpose and non-infringement of intellectual property rights. ST does not warrant that the use in whole or in part of the Licensed Software will be interrupted or error free, will meet your requirements, or will operate with the combination of hardware and software selected by You.

You are responsible for determining whether the Licensed Software will be suitable for your intended use or application or will achieve your intended results. ST has not authorized anyone to make any representation or warranty for the Licensed Software, and any technical, applications or design information or advice, quality characterization, reliability data or other services provided by ST shall not constitute any representation or warranty by ST or alter this disclaimer or warranty, and in no additional obligations or liabilities shall arise from ST's providing such information or services. ST does not assume or authorize any other person to assume for it any other liability in connection with its Licensed Software.

Nothing contained in this Agreement will be construed as:

- (i) a warranty or representation by ST to maintain production of any ST device or other hardware or software with which the Licensed Software may be used or to otherwise maintain or support the Licensed Software in any manner; and
- (ii) a commitment from ST and/or its licensors to bring or prosecute actions or suits against

third parties for infringement of any of the rights licensed hereby, or conferring any rights to bring or prosecute actions or suits against third parties for infringement. However, ST has the right to terminate this Agreement immediately upon receiving notice of any claim, suit or proceeding that alleges that the Licensed Software or your use or distribution of the Licensed

Software infringes any third party intellectual property rights.

All other warranties, conditions or other terms implied by law are excluded to the fullest extent permitted by law.

#### **LIMITATION OF LIABILITIES**

In no event ST or its licensors shall be liable to You or any third party for any indirect, special, consequential, incidental, punitive damages or other damages (including but not limited to, the cost of labour, re-qualification, delay, loss of profits, loss of revenues, loss of data, costs of procurement of substitute goods or services or the like) whether based on contract, tort, or any other legal theory, relating to or in connection with the Licensed Software, the documentation or this Agreement, even if ST has been advised of the possibility of such damages.

In no event shall ST's liability to You or any third party under this Agreement, including any claim with respect of any third party intellectual property rights, for any cause of action exceed

100 US\$. This section does not apply to the extent prohibited by law. For the purposes of this section, any liability of ST shall be treated in the aggregate.

#### **TERMINATION**

ST may terminate this license at any time if You are in breach of any of its terms and conditions. Upon termination, You will immediately destroy or return all copies of the software and documentation to ST.

#### **APPLICABLE LAW AND JURISDICTION**

In case of dispute and in the absence of an amicable settlement, the only competent jurisdiction shall be the Courts of Geneva, Switzerland. The applicable law shall be the law of Switzerland.

**SEVERABILITY**

If any provision of this agreement is or becomes, at any time or for any reason, unenforceable or invalid, no other provision of this agreement shall be affected thereby, and the remaining provisions of this agreement shall continue with the same force and effect as if such unenforceable or invalid provisions had not been inserted in this Agreement.

**WAIVER**

The waiver by either party of any breach of any provisions of this Agreement shall not operate or be construed as a waiver of any other or a subsequent breach of the same or a different provision.

**RELATIONSHIP OF THE PARTIES**

Nothing in this Agreement shall create, or be deemed to create, a partnership or the relationship of principal and agent or employer and employee between the Parties. Neither Party has the authority or power to bind, to contract in the name of or to create a liability for the other in any way or for any purpose.

## 12 Revision history

**Table 15. Document revision history**

Date	Revision	Changes
1-Jun-2010	1	Initial release.

**Please Read Carefully:**

Information in this document is provided solely in connection with ST products. STMicroelectronics NV and its subsidiaries ("ST") reserve the right to make changes, corrections, modifications or improvements, to this document, and the products and services described herein at any time, without notice.

All ST products are sold pursuant to ST's terms and conditions of sale.

Purchasers are solely responsible for the choice, selection and use of the ST products and services described herein, and ST assumes no liability whatsoever relating to the choice, selection or use of the ST products and services described herein.

No license, express or implied, by estoppel or otherwise, to any intellectual property rights is granted under this document. If any part of this document refers to any third party products or services it shall not be deemed a license grant by ST for the use of such third party products or services, or any intellectual property contained therein or considered as a warranty covering the use in any manner whatsoever of such third party products or services or any intellectual property contained therein.

**UNLESS OTHERWISE SET FORTH IN ST'S TERMS AND CONDITIONS OF SALE ST DISCLAIMS ANY EXPRESS OR IMPLIED WARRANTY WITH RESPECT TO THE USE AND/OR SALE OF ST PRODUCTS INCLUDING WITHOUT LIMITATION IMPLIED WARRANTIES OF MERCHANTABILITY, FITNESS FOR A PARTICULAR PURPOSE (AND THEIR EQUIVALENTS UNDER THE LAWS OF ANY JURISDICTION), OR INFRINGEMENT OF ANY PATENT, COPYRIGHT OR OTHER INTELLECTUAL PROPERTY RIGHT.**

**UNLESS EXPRESSLY APPROVED IN WRITING BY AN AUTHORIZED ST REPRESENTATIVE, ST PRODUCTS ARE NOT RECOMMENDED, AUTHORIZED OR WARRANTED FOR USE IN MILITARY, AIR CRAFT, SPACE, LIFE SAVING, OR LIFE SUSTAINING APPLICATIONS, NOR IN PRODUCTS OR SYSTEMS WHERE FAILURE OR MALFUNCTION MAY RESULT IN PERSONAL INJURY, DEATH, OR SEVERE PROPERTY OR ENVIRONMENTAL DAMAGE. ST PRODUCTS WHICH ARE NOT SPECIFIED AS "AUTOMOTIVE GRADE" MAY ONLY BE USED IN AUTOMOTIVE APPLICATIONS AT USER'S OWN RISK.**

Resale of ST products with provisions different from the statements and/or technical features set forth in this document shall immediately void any warranty granted by ST for the ST product or service described herein and shall not create or extend in any manner whatsoever, any liability of ST.

ST and the ST logo are trademarks or registered trademarks of ST in various countries.

Information in this document supersedes and replaces all information previously supplied.

The ST logo is a registered trademark of STMicroelectronics. All other names are the property of their respective owners.

© 2010 STMicroelectronics - All rights reserved

STMicroelectronics group of companies

Australia - Belgium - Brazil - Canada - China - Czech Republic - Finland - France - Germany - Hong Kong - India - Israel - Italy - Japan - Malaysia - Malta - Morocco - Philippines - Singapore - Spain - Sweden - Switzerland - United Kingdom - United States of America

[www.st.com](http://www.st.com)