

Materials

1. Shell, steel, nickel plated
2. Pins, brass, 5 μ" gold and tin plating
3. Insulator, PBT, white

Electrical

Rated voltage: 30 Vdc
 Rated current: 3 A
 Dielectric strength: 1 min @ 500 Vac
 Insulation resistance: 500 MΩ @ 500 Vdc
 Contact resistance: 50 mΩ or less

Mechanical

Insertion force: 3.5 kgf maximum
 Withdrawal force: 1.0 kgf minimum
 Durability: 1500 cycle minimum life; less than 100 mΩ contact resistance, minimum 100 MΩ insulation resistance
 Terminal strength: 0.3 kgf in any direction without damage or looseness

Soldering

Solderability: 75% minimum coverage when terminals dipped 2 mm in 245 ±5 °C solder bath for 3 ±0.5 seconds
 Solder bath durability: no deformation when immersed in 255 ±5 °C up to surface of the board for 5 seconds or less
 Solder iron durability: no deformation when exposed to 350 ±10 °C for 3 ±0.5 seconds

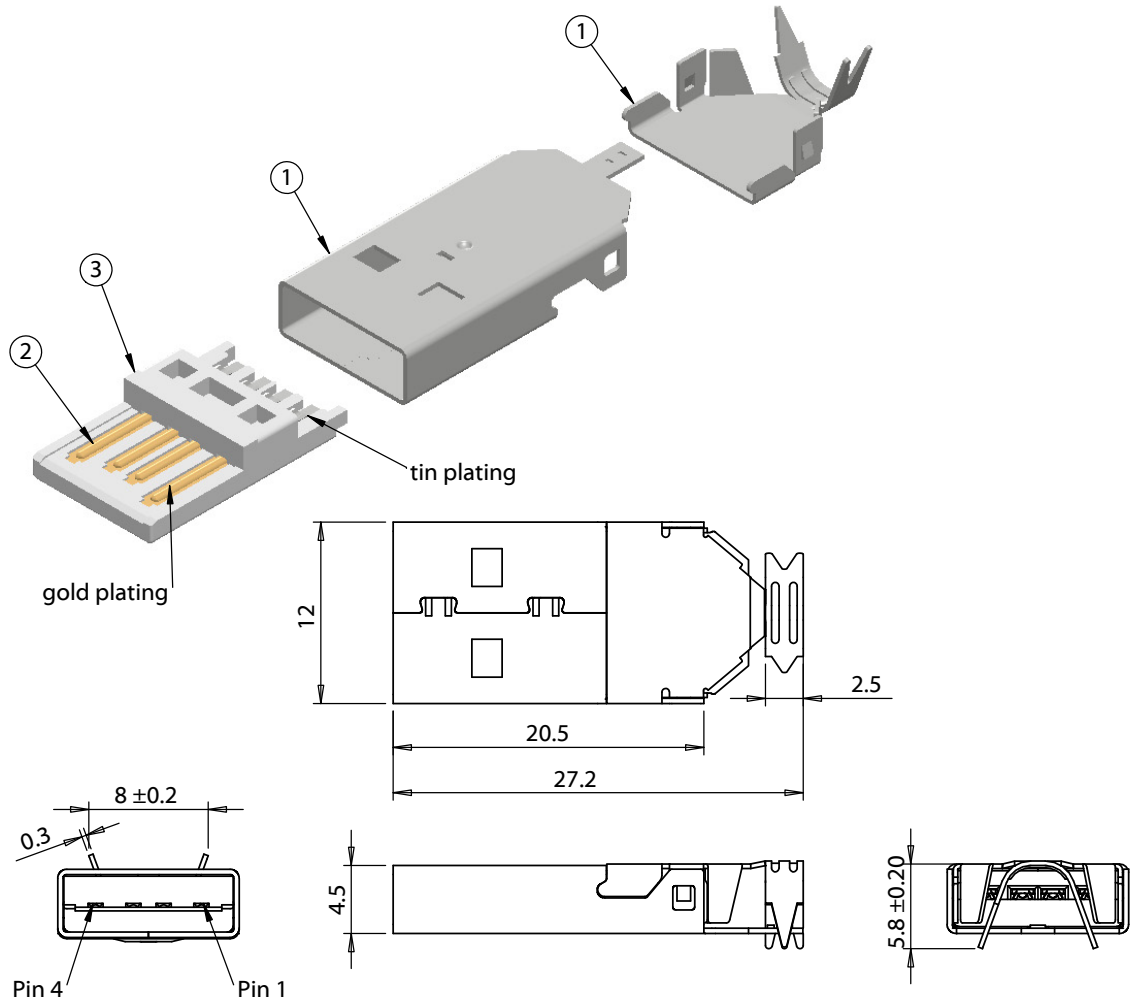
Environmental

Cold test: -25 ±3 °C for 48 hours without deformation
 Heat test: 70 ±2 °C for 48 hours without deformation
 Humidity test: 40 ±2 °C and humidity between 90 and 98 % for 48 hours without deformation

Operating range

-10 ~ 60 °C

USB A 2.0 plug molding style



REVISION	DATE	DESCRIPTION
A	12/15/2015	Initial release

PREPARED:
 VERIFIED:
 DIMENSIONS ARE IN MILLIMETERS
 TOLERANCES:
 X: ± 0.5 mm
 X.X: ± 0.3 mm
 X.XX: ± 0.05 mm

NOTES
 RoHS and REACH compliant

DESCRIPTION:
 Connector, USB A plug, molding style, nickel shell, shielded, white insulator

TENSILITY

20802 Sockeye Place #130
 Bend, OR 97701 USA
 tel 541.323.3228 fax 541.323.4202
 800 877.670.7118 www.tensility.com

SIZE A	PART NUMBER 50-00467
SCALE: 5:1	WEIGHT:
SHEET 1 OF 1	