

500mA, 60V, 350kHz Synchronous Step-Down Converter

Purpose

The RT6204 is a 60V, 500mA, 350kHz, high-efficiency, synchronous step-down DC-DC converter with an input-voltage range of 5.2V to 60V and a programmable output-voltage range of 0.8V to 50V. This document explains the function and usage of the RT6204GSP evaluation board (EVB), and provides information for power-up operation, and the modification of the evaluation board and the circuit, to be suitable for individual requirements.

Table of Contents

Purpose.....	1
Table of Contents.....	1
Introduction.....	2
Key Performance Summary Table.....	2
Bench Test Setup Conditions.....	3
Schematic, Bill of Materials, & Board Layout.....	5
More Information.....	7
Important Notice for Richtek Evaluation Board.....	7

Introduction

General Product Information

The RT6204 is a 60V, 500mA, 350kHz, high-efficiency, synchronous step-down DC-DC converter with an input-voltage range of 5.2V to 60V and a programmable output-voltage range of 0.8V to 50V. It features current-mode control to simplify external compensation and to optimize transient response with a wide range of inductors and output capacitors. High efficiency can be achieved through integrated N-MOSFETs, and pulse-skipping mode at light loads. With EN pin, power-up sequence can be more flexible and shutdown quiescent current can be reduced to <math><3\mu\text{A}</math>.

The RT6204 features cycle-by-cycle current limit for over-current protection against short-circuit outputs, and user-programmable soft-start time to prevent inrush current during startup. It also includes input under-voltage lockout, output under-voltage, and thermal shutdown protection to provide safe and smooth operation in all operating conditions.

The RT6204 is available in the SOP-8 (Exposed pad) package.

Product Features

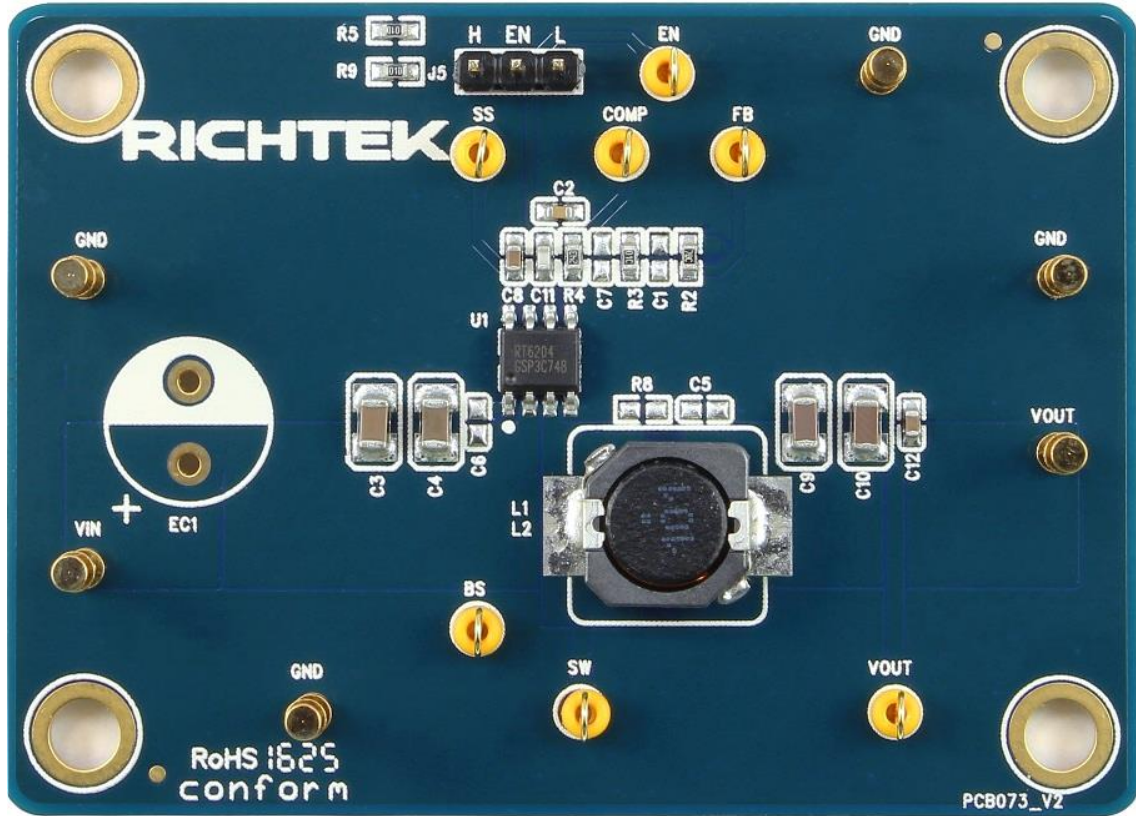
- **0.8V Feedback Reference Voltage with $\pm 1.5\%$ Accuracy**
- **Wide Input Voltage Range : 5.2V to 60V**
- **Output Current : 500mA**
- **Integrated N-MOSFETs**
- **Current-Mode Control**
- **Fixed Switching Frequency : 350kHz**
- **Programmable Output Voltage : 0.8V to 50V**
- **Low $<3\mu\text{A}$ Shutdown Quiescent Current**
- **Up to 92% Efficiency**
- **Pulse-Skipping Mode for Light-Load Efficiency**
- **Programmable Soft-Start Time**
- **Cycle-by-Cycle Current Limit Protection**
- **Input Under-Voltage Lockout, Output Under-Voltage and Thermal Shutdown Protection**

Key Performance Summary Table

Key Features	Evaluation Board Number : PCB073_V2
Input Voltage Range	5.2V to 60V
Max Output Current	500mA
Default Output Voltage	5V
Default Marking & Package Type	RT6204GSP, SOP-8 (Exposed pad)
Operation Frequency	Fixed 350kHz

Bench Test Setup Conditions

Headers Description and Placement



Carefully inspect all the components used in the EVB according to the following Bill of Materials table, and then make sure all the components are undamaged and correctly installed. If there is any missing or damaged component, which may occur during transportation, please contact our distributors or e-mail us at evb_service@richtek.com.

Test Points

The EVB is provided with the test points and pin names, listed in the table below.

Test Point/ Pin Name	Signal Name	Description
VIN	Input Voltage	Supply voltage input, 5.2V to 60V. Bypass VIN to GND with a large high-quality capacitor.
EN	Enable	Enable control input. A logic High ($V_{EN} > 1.35V$) enables the device, and a logic Low ($V_{EN} < 0.925V$) shuts down the device.
GND	Ground	Power ground. The exposed pad must be connected to GND and well soldered to the input and output capacitors and a large PCB copper area for maximum power dissipation.
SS	Soft-Start Control	Soft-start capacitor connection node. Connect an external capacitor from SS to GND to set the soft-start time. Do not leave SS pin unconnected. A capacitor of capacitance from 10nF to 100nF is recommended.
BS	Bootstrap Supply	Bootstrap capacitor connection node for high-side gate driver. Connect a 0.1 μ F ceramic capacitor from BOOT to SW to power the internal gate driver.
SW	Switch Node	Switch node for output inductor connection.
FB	Feedback Voltage Input	Feedback voltage input. Connect FB to the midpoint of the external feedback resistor divider to sense the output voltage. The device regulates the FB voltage at 0.8V (typical) Feedback Reference Voltage.
COMP	Compensation Node	Compensation node for the compensation of the regulation control loop. Connect a series RC network from COMP to GND. In some cases, another capacitor from COMP to GND may be required.

Power-Up & Measurement Procedure

1. Apply a 36V nominal input power supply ($V_{IN} < 60V$) to the VIN and GND terminals.
2. Set the jumper at J5 to connect terminals 1 and 2, connecting EN to enable operation.
3. Verify the output voltage (approximately 5V) between VOUT and GND.
4. Connect an external load up to 500mA to the VOUT and GND terminals and verify the output voltage and current.

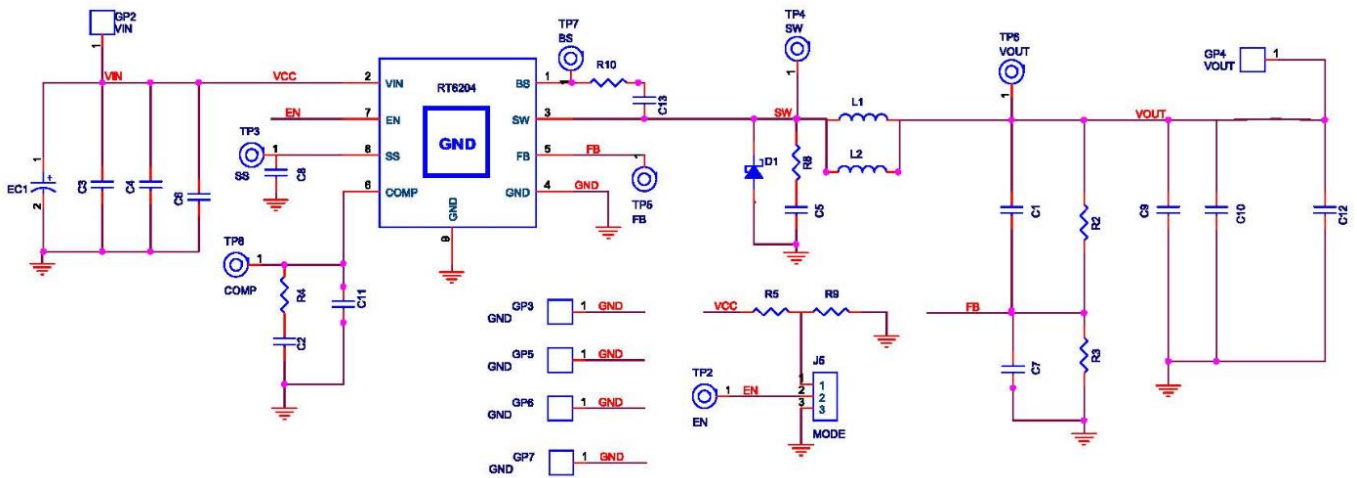
Output Voltage Setting

Set the output voltage with the resistive divider (R2, R3) between VOUT and GND with the midpoint connected to FB. The output voltage can be set by the following equation :

$$V_{VOUT} = V_{FB} \times \left(1 + \frac{R2}{R3}\right) = 0.8V \times \left(1 + \frac{R2}{R3}\right)$$

Schematic, Bill of Materials, & Board Layout

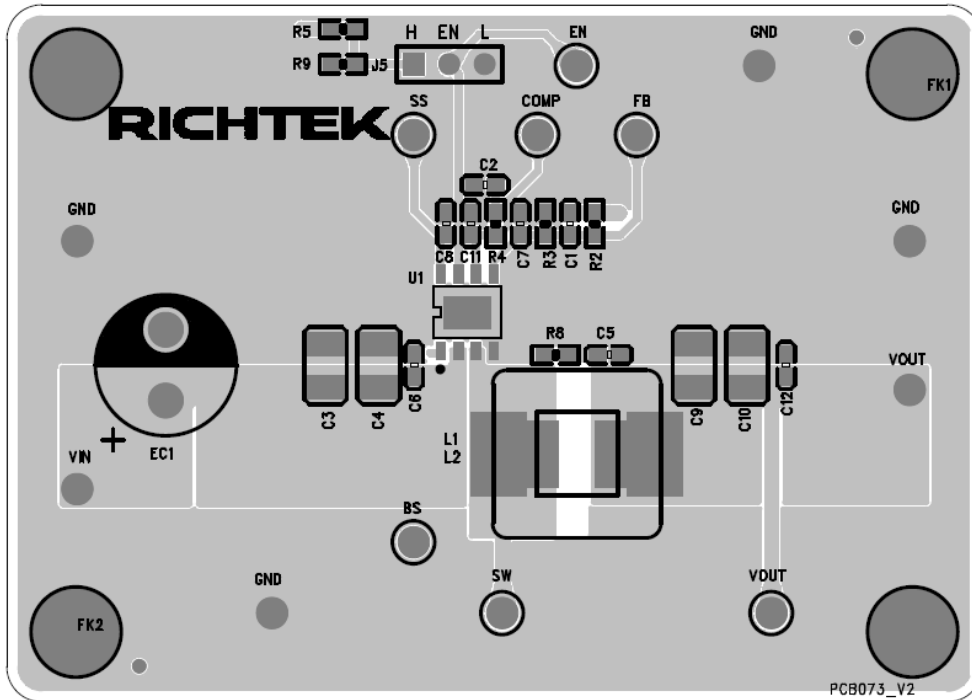
EVB Schematic Diagram



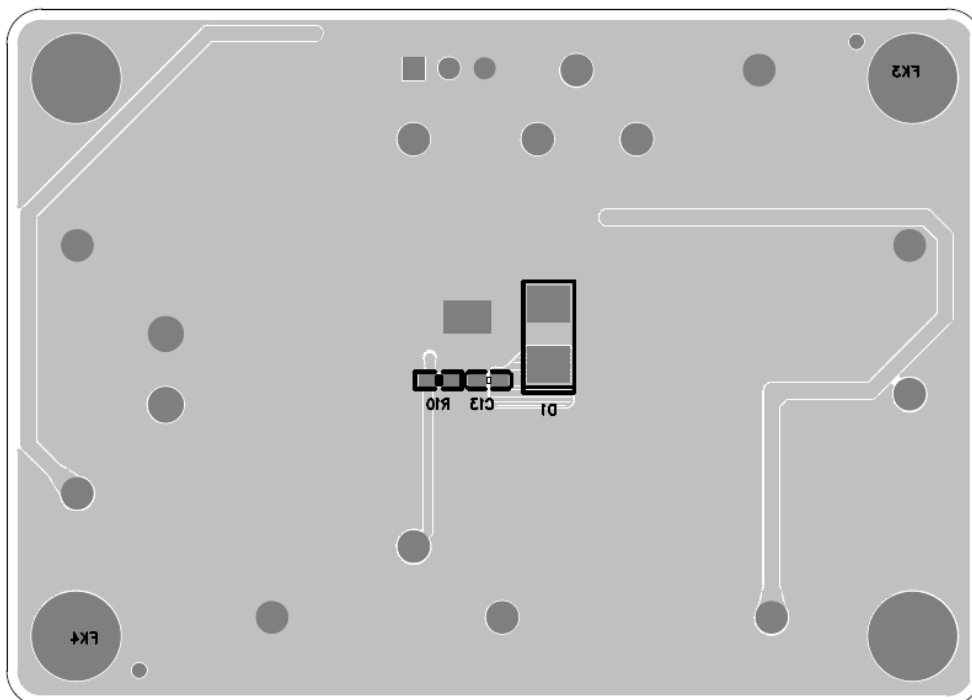
Bill of Materials

Reference	Qty	Part Number	Description	Package	Manufacturer
U1	1	RT6204GSP	DC-DC Converter	SOP-8 (Exposed pad)	RICHTEK
C2	1	0603B682K500	6.8nF/50V/X7R	C-0603	WALSIN
C8, C12, C13	3	C1608X7R1H104KT000N	0.1µF/50V/X7R	C-0603	TDK
C3, C4	2	GRM31CR72A225KA73L	2.2µF/100V/X7R	C-1206	MURATA
C9, C10	2	C3216X5R1H106KT000N	10µF/50V/X5R	C-1206	TDK
C11	1	0603N470J500	47pF/50V/NPO	C-0603	WALSIN
L1	1	7447714101	100µH/1.5A	10x10x5 (mm)	Würth
R2	1		52.3k	R-0603	
R3	1		10k	R-0603	
R4	1		24k	R-0603	
R5, R9	2		100k	R-0603	
R10	1		0	R-0603	
R8, C1, C5, C6, C7, EC1, D1, L2	8		NC		

PCB Layout



Top View



Bottom View

More Information

For more information, please refer to the related datasheets or application notes from Richtek website <http://www.richtek.com>.

Important Notice for Richtek Evaluation Board

THIS DOCUMENT IS FOR REFERENCE ONLY, NOTHING CONTAINED IN THIS DOCUMENT SHALL BE CONSTRUED AS RICHTEK'S WARRANTY, EXPRESS OR IMPLIED, UNDER CONTRACT, TORT OR STATUTORY, WITH RESPECT TO THE PRESENTATION HEREIN. IN NO EVENT SHALL RICHTEK BE LIABLE TO BUYER OR USER FOR ANY AND ALL DAMAGES INCLUDING WITHOUT LIMITATION TO DIRECT, INDIRECT, SPECIAL, PUNITIVE OR CONSEQUENTIAL DAMAGES.